

PRODUCT SPECIFICATIONS RADIANCE DIRECT VENT GAS STOVE



ACTUAL DIMENSIONS

Unit Depth: 18 1/4" (464 mm)
 Unit Height: 28" (711 mm)
 Unit Width: 31" (787 mm)

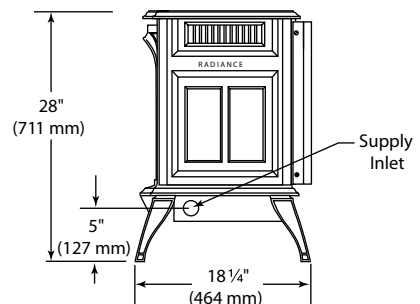
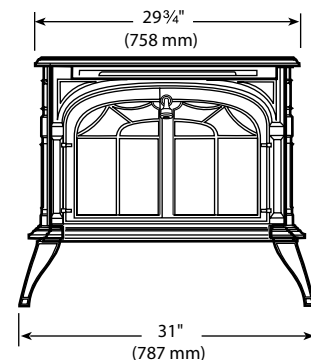
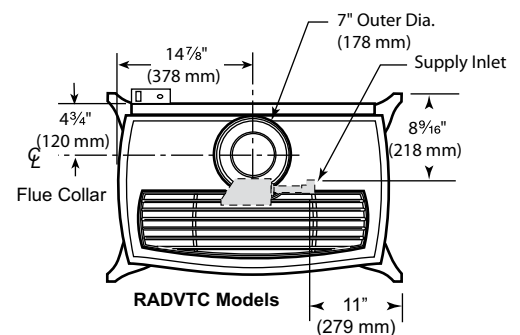
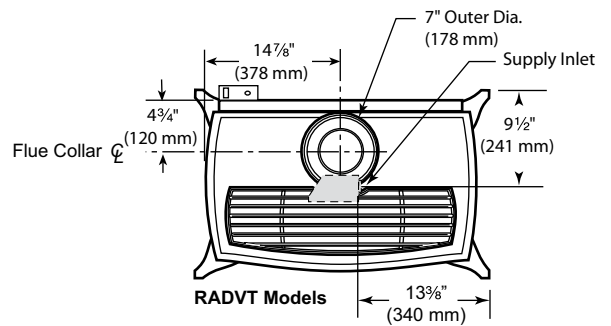
TECHNICAL INFORMATION

Available in natural gas or propane models
 Heat Input: NG 38,000 - 25,000 BTUs
 LP 36,000 - 25,000 BTUs
 Heating capacity: 1,500 sq. ft. (139 m²)
 Steady State Efficiency: 77%
 AFUE Efficiency: 68.4%
 EnerGuide Efficiency: 66%
 Venting: Top
 Weight: 350 lbs. (82 kg)
 Clearances: Back: 4" (102 mm)
 Side: 6" (152 mm)
 Corner: 6" (152 mm)

Flooring: The heater must be installed on rigid flooring. When the heater is installed directly on any combustible surface other than wood flooring, a metal or wood panel extending the full width and depth of the unit must be used as the hearth.

FIELD INSTALLED ACCESSORIES

- Available in Classic Black, Biscuit, Majolica Brown, Ebony Black and Bordeaux
- Available models with SIT Total System Control (includes remote and fan system)
- Ambient Technologies™ remote controls and thermostats
- Warming shelves
- Fan kit (for standard models - FK26)
- Open door screen kit (R40SK)



A Brand of Monessen Hearth Systems Co.
 149 Cleveland Drive, Paris, Kentucky 40361
www.vermontcastings.com



To avoid personal injury or property damage, the product described by this brochure must be installed, operated and maintained in strict compliance with the instructions packaged with the product and all applicable building or fire codes. Contact local building or fire officials about restrictions and installation inspection requirements. All photographs and drawings on this brochure are for illustrative purposes only and are not intended for, nor should they be used as a substitute for the instructions packaged with the unit. Appearance and specifications of the product are subject to change without notice. © 2011 Monessen Hearth Systems Co. 0811 v.1