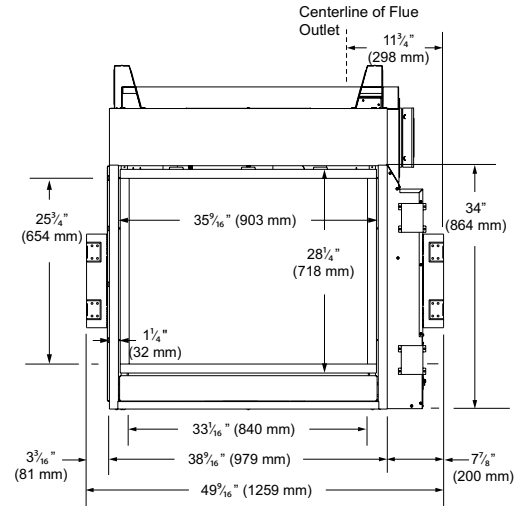


PRODUCT SPECIFICATIONS

STLDVP Pearl See-Thru Designer Direct Vent Fireplace System



FIREPLACE DIMENSIONS



ACTUAL DIMENSIONS

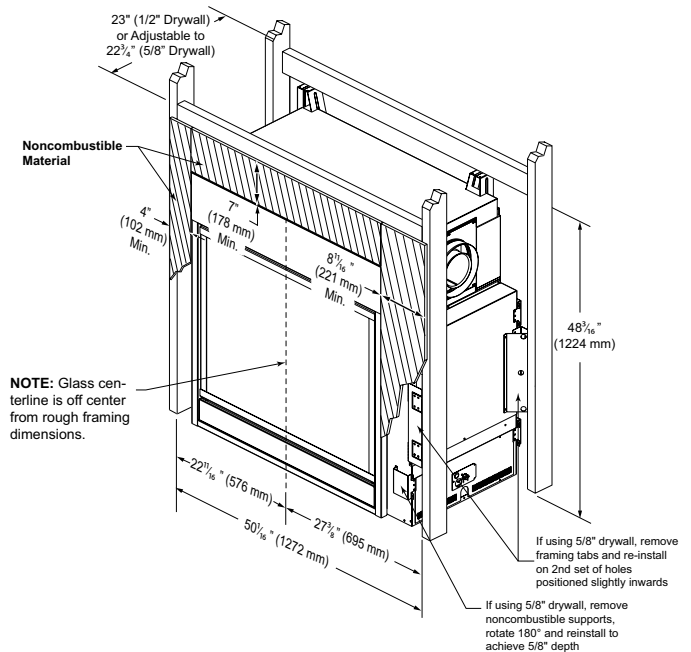
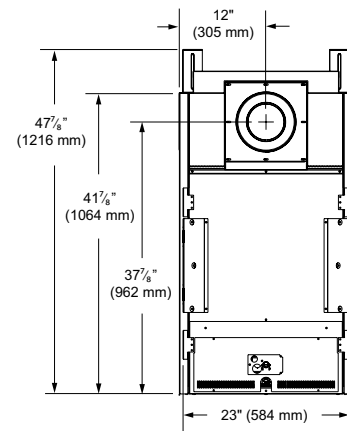
Actual size: 38⁵/₁₆" W x 41⁷/₈" H x 23" D
(979 mm x 1064 mm x 584 mm)

Viewing area: 33¹/₁₆" W x 25³/₄" H
(840 mm x 654 mm)

Framing Dimensions: 46⁵/₈" W x 48³/₁₆" H x 23" D
(1184 mm x 1224 mm x 584 mm)

FIELD INSTALLED ACCESSORIES

- Firebrick: Cottage Red, Olde English or Vintage Brown Herringbone
- Blower Options: BLOTSTSC - 160 CFM, 3 speed with time delay (requires purchase of SCSACM and TSFSC), BLOTBLDV - Variable thermostat controlled dual forced air blower 160 CFM, BLOTDL - Variable thermostat controlled single forced air blower 150 CFM
- Fan and Cord: FK12
- Light Kit - STLDVLK
- Contemporary stone kit with Burner (requires glass kit) - STLDVCS
- Glass Kit: GKD (Diamond), GKO (Onyx), GKS (Sapphire), GKB (Bronze)
- Signature Command Remotes: RMSC, TSMSC, TSFSC, TSTSC
- Safety Screen Barrier Included



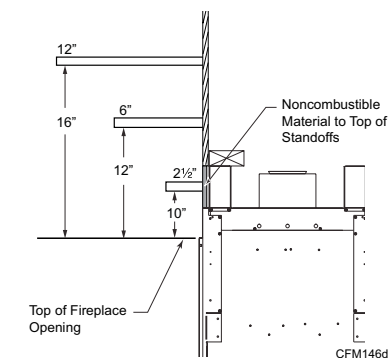
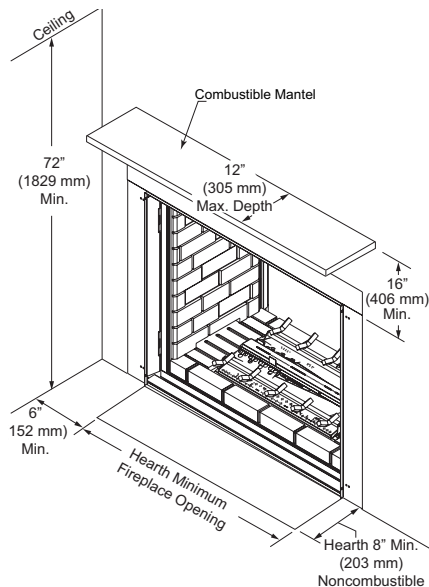
PRODUCT SPECIFICATIONS

STLDVP Pearl See-Thru Designer Direct Vent Fireplace System

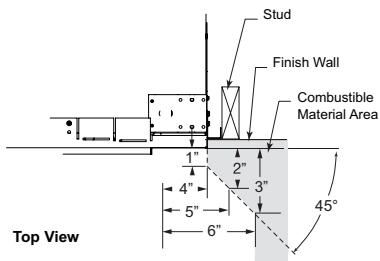


MANTEL CLEARANCES

NOTE: The combustibles area above the facing must not protrude more than 1/2" from the facing. If it does, it is considered a mantel and must meet the mantel requirements listed in the owner's manual.



Side View



Top View

TECHNICAL SPECIFICATIONS

Max. Btu Input: 37,000 BTU/HR
 Ignition System: Signature Command™ System
 Gas Type: Natural or LP
 Flue Type: Uses DVP pipe which can be converted to SLP for vertical applications (see manual for details)
 Termination: Rear/Top Vent Convertible
 Clearance on Flue for Interior: 3" Top 1" Bottom and Sides*
 Clearance on Flue for Outside Wall: 1"
 Clearance on Fireplace: 0"
 CSA Design Certified

CLEARANCE TO FLUE

Minimum 6" (152mm) clearance to the top along horizontal length until flue penetrates outside wall*
 Minimum of 1" (25 mm) clearance to combustibles permitted at outside wall

CLEARANCE TO COMBUSTIBLES

Fireplace: 0" clearance to standoffs on all sides
 Floor of Unit to Ceiling: 72" (1829mm) to combustibles
 Firebox Opening to Wall: 6" (152mm)
 Hearth Requirement: 0"

EFFICIENCY DATA

Thermal Efficiency: Up to 80%
 AFUE Efficiency: 67.01% (Nat.) / 68.28% (LP)
 P4 Canada Efficiency: 69.7% (Nat.) / 79.4% (LP)

*If vertical rise is 7 1/2' (2.29 m) or higher when in top vent configuration only, the vent clearance to combustibles is 1" (25 mm) on all sides of the horizontal run.



149 Cleveland Drive, Paris, Kentucky 40361
www.majesticproducts.com

To avoid personal injury or property damage, the product described by this brochure must be installed, operated and maintained in strict compliance with the instructions packaged with the product and all applicable building or fire codes. Contact local building or fire officials about restrictions and installation inspection requirements. All photographs and drawings on this brochure are for illustrative purposes only and are not intended for, nor should they be used as a substitute for the instructions packaged with the unit. Appearance and specifications of the product are subject to change without notice. ©2015 Hearth & Home Technologies 1115v3