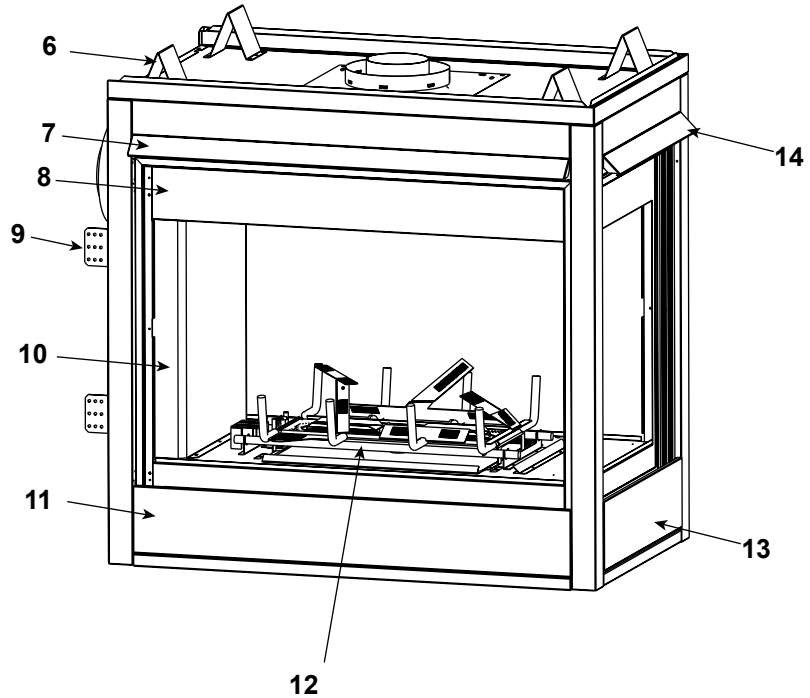


**Log Set Assembly**



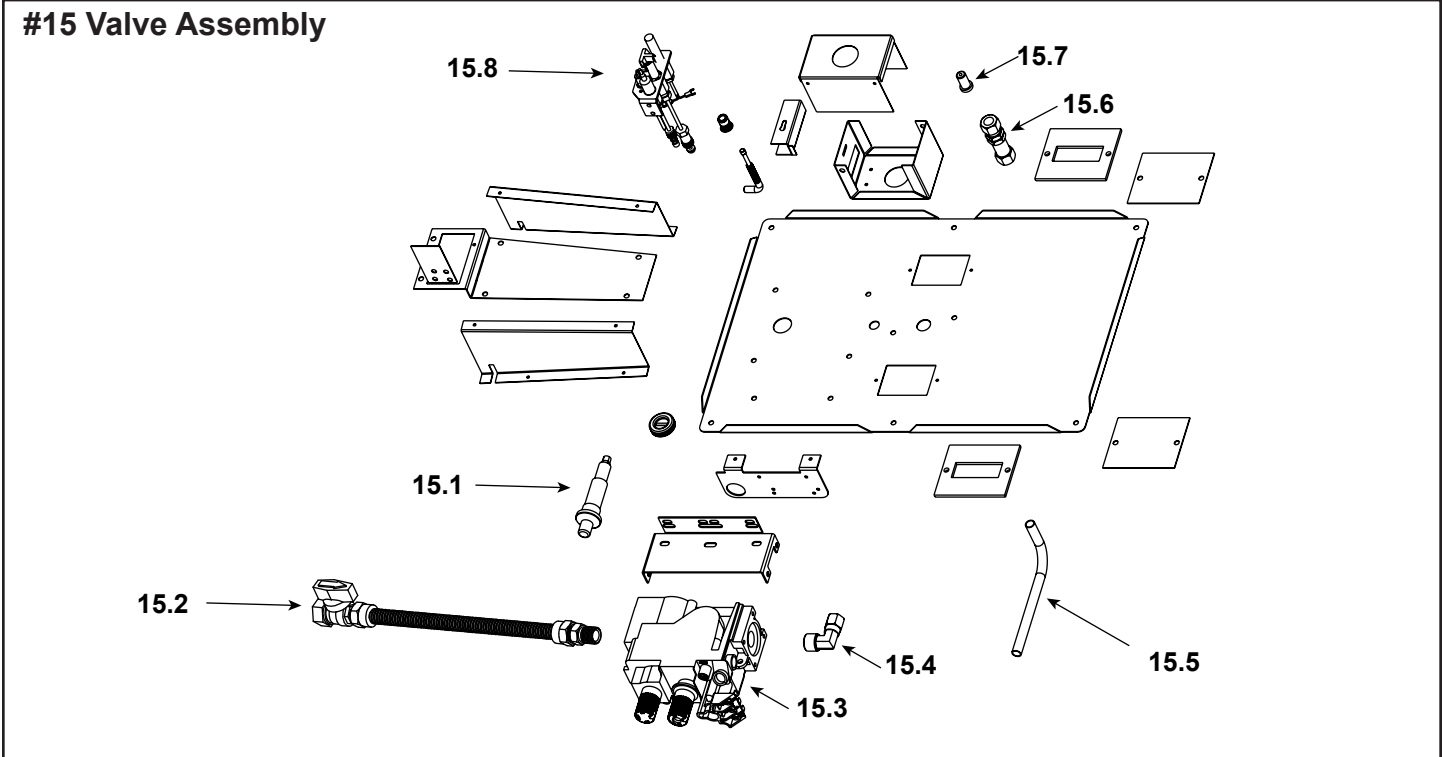
IMPORTANT: THIS IS DATED INFORMATION. Parts must be ordered from a dealer or distributor. **Hearth and Home Technologies does not sell directly to consumers.** Provide model number and serial number when requesting service parts from your dealer or distributor.



**Stocked at Depot**

ITEM	DESCRIPTION	COMMENTS	PART NUMBER	
	<b>Log/Grate Assembly</b>		35595	Y
	<b>Log Assembly</b>		35596	Y
1	Log		SRV33782	
2	Log		SRV33785	
3	Log		SRV35590	
4	Log		SRV35591	
5	Log		SRV35592	
6	Standoff	Qty 4 req	SRV4044-111	
7	Front Hood	Pre 03/04	27658	
		Post 03/04	SRV29575	
8	Front Panel (overlay only)	Qty 2 req	27655	
9	Nailing Flange	Qty 4 req	SRV31190	
10	End Refractory	No longer available	35367	
		No longer available	4002-071	
11	Control Access Door Assembly	Qty 2 req	25893	
12	Grate Assembly		35594	
13	Lower Side Face	No longer available	25913	
14	Hood, Small End	No longer available	27659	

Additional service parts on following page.



IMPORTANT: THIS IS DATED INFORMATION. Parts must be ordered from a dealer or distributor. **Hearth and Home Technologies does not sell directly to consumers.** Provide model number and serial number when requesting service parts from your dealer or distributor.



**Stocked at Depot**

ITEM	DESCRIPTION	COMMENTS	PART NUMBER	
15.1	Push Button Ignitor		291-513	Y
15.2	Flex Ball Valve Assembly		SRV302-320	Y
15.3	Valve with Regulator, NG	Pre GA1548727	SRV24033	Y
		Post GA1548727	SRV230-0710	Y
	Valve with Regulator, LP	Pre GA1548727	SRV24034	Y
		Post GA1548727	SRV230-0720	Y
15.4	Brass Elbow		SRV17524	
15.5	Burner Tube 3/8		33619	Y
15.6	Bulkhead	<b>No longer available</b>	SRV13405	
15.7	Burner Orifice (.115)		SRV26617	Y
15.8	Pilot Assembly /w Flex Tube, NG	Pre GA1548727	4021-732	Y
		Post GA1548727	4021-330	Y
	Pilot Assembly /w Flex Tube, LP	Pre GA1548727	4021-733	Y
		Post GA1548727	4021-329	Y
	Pilot Orifice (.021)		SRV446-505	Y
	Thermopile		2103-512	Y
	Thermocouple		SRV72956	Y
	Pilot Bracket		4002-037	
	Wall Switch Wire Assembly		SRV28602	Y

Additional service parts on following page.

