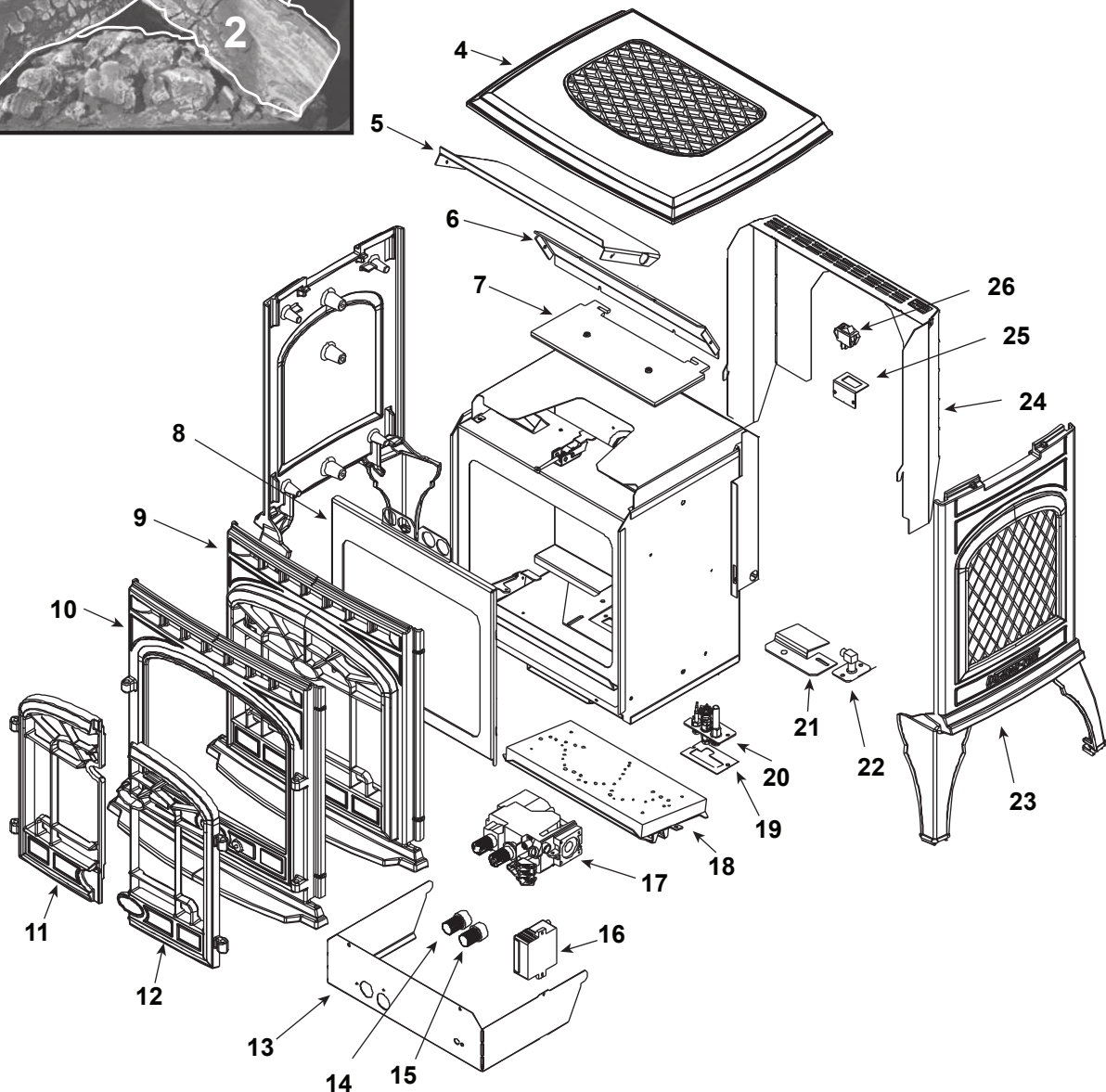
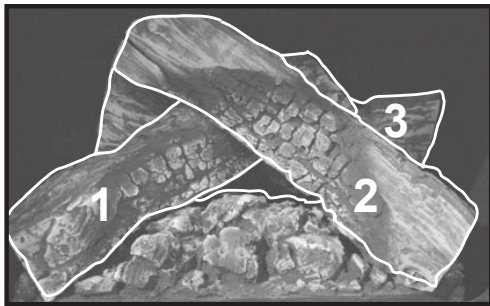


Color	SKU No.	Mfg. Dates
Matte Black	839-1110	7/01 - 6/04
Porcelain Creme	839-1120	7/01 - 5/04
	GARNET-D-PCR	6/04 - 8/05
Porcelain Green	839-1130	7/01 - 5/04
Porcelain Mahogany	839-1140	4/02 - 5/04
Porcelain Midnite Blue	839-1150	4/02 - 4/04
	839-1151	4/03 - 5/04
Powder Coat Linden Green	GARNET-D-CLG	6/04 - 4/06

Color	SKU No.	Mfg. Dates
Powder Coat Merlot	GARNET-D-CME	6/04 - 3/06
Powder Coat Creme	GARNET-D-CCR	9/05 - 4/06
Powder Coat Sienna Bronze	GARNET-D-CSB	3/07 - 8/14
Powder Coat Willow	GARNET-D-CWL	3/07 - 3/11
Matte Black	GARNET-MBK	6/04 - 8/14
	GARNET-D-MBK	6/04 - 8/14
Porcelain Mahogany	GARNET-D-PMH	6/04 - 8/14

Log Set Assembly



Part number list on following page.

IMPORTANT: THIS IS DATED INFORMATION. Parts must be ordered from a dealer or distributor. **Hearth and Home Technologies does not sell directly to consumers.** Provide model number and serial number when requesting service parts from your dealer or distributor.



**Stocked
at Depot**

ITEM	DESCRIPTION	COMMENTS	PART NUMBER	
	Log Assembly		LOGS-GARNET	Y
1	Log Left		SRV7016-171	
2	Log Right		SRV7016-170	
3	Log Rear		SRV7016-172	
4	Top	Black	464-0140MBK	
		Porcelain Mahogany	464-0140PMH	
		No longer available	464-0140D-PCR	
		No longer available	464-0140PPGR	
		No longer available	464-0140PMB	
		No longer available	464-0140-D-CLG	
		No longer available	464-0140-D-CME	
		No longer available	464-0140-D-CCR	
		No longer available	464-0140-D-CSB	
		No longer available	464-0140-D-CWL	
5	Baffle Back		7016-126	
6	Baffle		7016-125	
7	Relief Door Assembly		7016-005	
8	Door Assembly		7016-004	
	Door Frame		7016-117	
	Glass Assembly -12.73 W x 10.35 H, W/Gasket		7016-023	Y
	Glass Gasket - Field Cut to Size	10 Ft	844-3010	Y
	Tape, Door Corner - Field Cut to Size	1 Ft	SRV7027-227	Y
9	Front Plate - Solitaire Front Only	Black	464-0160	
10	Front - Quartet Front	Black	7016-106MBK	
		Porcelain Mahogany	7016-106PMH	
		No longer available	7016-106D-PCR	
		No longer available	7016-106PPGR	
		No longer available	7016-106PMB	
		No longer available	7016-106-D-CLG	
		No longer available	7016-106-D-CME	
		No longer available	7016-106-D-CCR	
		No longer available	7016-106-D-CSB	
		No longer available	7016-106-D-CWL	
	Blower Shroud Back		7016-132	
	Blower Shroud Top		7016-118	
	Burner Stop	Post 1236311	7010-152	
	Burner Support	No longer available	7016-120	

Additional service part numbers appear on following page.

IMPORTANT: THIS IS DATED INFORMATION. Parts must be ordered from a dealer or distributor. **Hearth and Home Technologies does not sell directly to consumers.** Provide model number and serial number when requesting service parts from your dealer or distributor.



**Stocked
at Depot**

ITEM	DESCRIPTION	COMMENTS	PART NUMBER	
11	Door Left	Black	7016-108MBK	
		Porcelain Mahogany	7016-108PMH	
		No longer available	7016-108-PCR	
		No longer available	7016-108PGR	
		No longer available	7016-108PMB	
		No longer available	7016-108-D-CLG	
		No longer available	7016-108-D-CME	
		No longer available	7016-108-D-CCR	
		No longer available	7016-108-D-CSB	
		No longer available	7016-108-D-CWL	
12	Door Right	Black	7016-107MBK	
		Porcelain Mahogany	7016-107PMH	
		No longer available	7016-107-PCR	
		No longer available	7016-107PGR	
		No longer available	7016-107PMB	
		No longer available	7016-107-D-CLG	
		No longer available	7016-107-D-CME	
		No longer available	7016-107-D-CCR	
		No longer available	7016-107-D-CSB	
		No longer available	7016-107-D-CWL	
13	Valve Cover		7016-133	
14	Knob, Extension, On-Off, Sit, 1.5"		SRV37D0010	
15	Knob, Extension, Hi-Lo, Sit, 1.5"		571-533	Y
16	Module, Ignition		230-1880	Y
	Cable/Switch Assembly, Sit		230-1900	Y
17	Valve Replacement, Sit - NG		842-0240	Y
	Valve Replacement, Sit - LP		842-0230	Y
18	Burner Assembly	No longer available	BRNR-GAR	
	Burner w/Neck Assembly	Post 0071237555	SRV7016-033	Y
19	Gasket, Pilot	No longer available	7000-196	
20	Pilot Assembly - NG		230-1781	Y
	Injector, Pilot, Ez, LP, 35		SRV200-2630	Y
	Thermocouple		200-2950	Y
	Thermopile/Generator, Millivolt		842-0250	Y
21	Shutter Assembly		SRV7016-034	Y
22	Bulkhead w/Flex Tube 8.5		SRV7000-156	Y
	Collar, Inner Flue		7016-122	

Additional service part numbers appear on following page.

IMPORTANT: THIS IS DATED INFORMATION. Parts must be ordered from a dealer or distributor. **Hearth and Home Technologies does not sell directly to consumers.** Provide model number and serial number when requesting service parts from your dealer or distributor.



**Stocked
at Depot**

ITEM	DESCRIPTION	COMMENTS	PART NUMBER	
23	Side - Powder Coat	Black	7016-109MBK	
		Porcelain Mahogany	7016-106PMH	
		No longer available	7016-109-PCR	
		No longer available	7016-109PGR	
		No longer available	7016-109PMB	
		No longer available	7016-109-D-CLG	
		No longer available	7016-109-D-CME	
		No longer available	7016-109-D-CCR	
		No longer available	7016-109-D-CSB	
		No longer available	7016-109-D-CWL	
24	Back Shield		7016-140	
25	Switch, Bracket		7016-143	
26	Switch, Rocker		SRV32D0232	Y
	Component Pack (Includes On/Off Valve, Mineral Wool, Pilot Injector, Ez, Lp 35; Conversion Regulator & Label; Orifice Plug Insert #56; Leveling Assembly; Snap Disc Bracket; Warranty Card, Manual, Restrictor; Touch-Up Paint & Fasteners)	No longer available	7016-007	
		No longer available	7016-027	
		No longer available	7016-030	
		No longer available	7016-031	
	Leveling Assembly		SRV7000-000	
	Mineral Wool, Bag		200-2550	
	On/Off Valve		SRV15697	Y
	Restrictor		7016-145	
	Snap Disc Bracket		7009-108	
	Damper Assembly		7016-006	
	Door Retainer		7016-134	
	Dv Adapter	6-5/8 in.	SRV7010-172	
	Elbow, 3/8 Flare X 3/8 Npt		SRV4021-045	
	Electrode, Sit, Ez, Flush		842-4580	Y
	Flex Line 3/8 Flare X 22L		7000-197	Y
	Flue Shield		7016-130	
	Gasket, Elbow		460-0610	
	Hinge Pin		844-5750	Y
	Latch, Draw		229-0640	Y
	Magnet Round		SRV7000-140	Y
	Pilot Shield	Pre 0071237555	7016-164	
	Pilot Spacer	Post 0071237556	7016-165	
	Pilot Spacer		7010-175	
	Plug, Orifice Insert #49		842-1220	Y
	Relief Door Bracket		SRV7016-121	

Additional service part numbers appear on following page.

IMPORTANT: THIS IS DATED INFORMATION. Parts must be ordered from a dealer or distributor. **Hearth and Home Technologies does not sell directly to consumers.** Provide model number and serial number when requesting service parts from your dealer or distributor.



**Stocked
at Depot**

ITEM	DESCRIPTION	COMMENTS	PART NUMBER	
	Valve Bracket		7016-142	
	Wire Harness		7010-156	
CONVERSION KITS				
	Conversion Kit, NG		NGK-TPB	Y
	Injector, Pilot, Ez, NG, 62		842-4440	Y
	Orifice, .#49		842-1200	Y
	Regulator, Conversion, Sit, NG		SRV230-1570	Y
	Conversion Kit LP		LPK-TPB	Y
	Injector, Pilot, Ez, LP, 35		SRV200-2630	Y
	Orifice, .#56	No longer available	842-1100	
	Regulator, Conversion, Sit, LP		SRV230-1520	Y
ACCESSORIES				
	Blower Universal Gas		BK-GAS	
	Power Cord		832-2410	Y
	Blower Housing		7016-138	
	Blower, Convection		812-4900	Y
	Bracket, Thermostat		455-7230	
	Component Pack Assembly	No longer available	7016-016	
	Knob, Rheostat (Black)		SRV100-512	Y
	Snap Disc		SRV230-0960	Y
	Speed Control Only (Rheostat)		842-0370	Y
	Wire Harness	No longer available	455-7240	
	Mesh Screen	No longer available	SCR-GAR-D	
	Screen Handle		SRV480-1320	
	Smart-Batt II	No longer available	SMARTBATT-B	
	Smart-Stat II		SMART-STAT-HHT	
	Thermostat, Mechanical		812-3760	Y
	Thermostat, Programmable		PROG-STAT	
FASTENERS				
	Avk Rivnut Repair Kit - 1/4-20 & 3/8-16 Rivnut Tools		RIVNUT-REPAIR	Y
	Nut, Keps Lock, 10-32	Pkg of 40	226-0050/40	Y
	Nut, wing, WF, 1/4 - 20	Pkg of 12	226-0110/12	Y
	Screw, 1/4-20 X 3/8 Phillips Button Head	Pkg of 24	7000-401/24	Y
	Screw, 5/16-18 X 1 1/2	Pkg of 24	7000-101/24	Y
	Screw, Flat Head Philips 8-32 X 1/2	Pkg of 10	832-0860	Y
	Screw, Pan Head Philips 8-32 X 3/4	Pkg of 24	229-1100/24	Y
	Screw, Pan Head Philips 8-32 X 3/8	Pkg of 40	225-0500/40	Y
	Screw, Pan Head Philips, 10/32 X 1/4	Pkg of 24	229-1230/24	Y
	Screw, Sheet Metal #8 X 1/2 S-Grip	Pkg of 40	12460/40	Y