

Pellet Stove
Last Serial #008223826

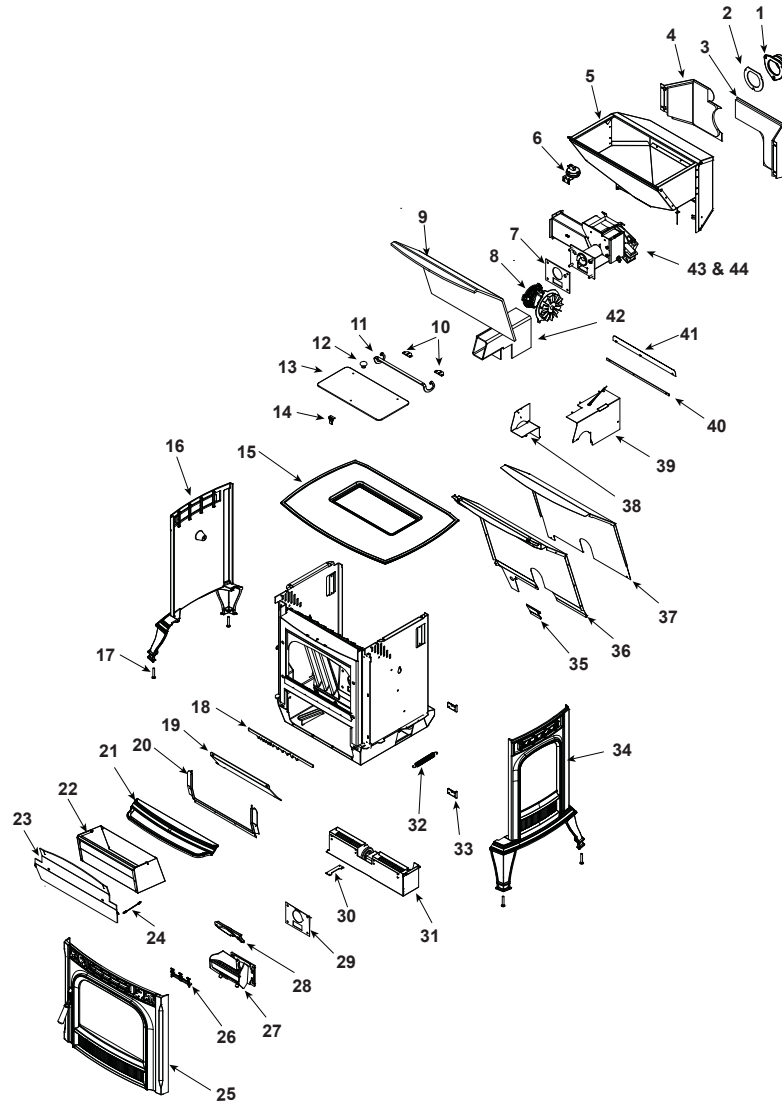
Beginning Manufacturing Date: N/A
Ending Manufacturing Date: Aug 2016

Retired units:

1-90-00677-1 (Black), (Oct 2016)
1-90-00677-14 (Majolica Brown) (Oct 2016)
1-90-00677-19 (Bronze) (May 2011)
1-90-00677-20 (Dark Blue) (Oct 2016)
1-90-00677-21 (Frost) (Oct 2016)

1-90-00677-2 (Charcoal) (June 2011)
1-90-00677-3 (Goldenfire) (June 2011)
1-90-00677-4 (Metallic Blue) (Jan 2010)
1-90-00677-22 (Black Porcelain) (Oct 2016)
1-90-00025-2 (25th Anniversary Edition) (June 2009)

1-90-00677-5 (Honey Glo)(June 2009)
1-90-00677-10 (Mojave Red) (Jan 2010)
1-90-00677-12 (Forest Green)(Jan 2010)



IMPORTANT: THIS IS DATED INFORMATION. Parts must be ordered from a dealer or distributor. **Hearth and Home Technologies does not sell directly to consumers.** Provide model number and serial number when requesting service parts from your dealer or distributor.



Stocked at Depot

| ITEM | DESCRIPTION | COMMENTS | PART NUMBER | |
|------|----------------------------|----------------|--------------|---|
| 1 | Pellet Tailpipe Cast | | 3-00-247237 | Y |
| 2 | Gasket, Tail Pipe/Burn Pot | Pkg of 5 | 1-00-07381 | Y |
| 3 | Right Feeder Shield | Pre 008214413 | 1-10-677085A | Y |
| | | Post 008214413 | 1-10-677885A | Y |
| 4 | Left Feeder Shield | | 1-10-677084A | Y |

Additional service part numbers appear on following page.

IMPORTANT: THIS IS DATED INFORMATION. Parts must be ordered from a dealer or distributor. **Hearth and Home Technologies does not sell directly to consumers.** Provide model number and serial number when requesting service parts from your dealer or distributor.



**Stocked
at Depot**

| ITEM | DESCRIPTION | COMMENTS | PART NUMBER | |
|-----------------|--------------------------------------|---|-----------------|---|
| 5 | Hopper Assembly | Pre 12871 | 1-10-677800A | |
| | | 12871 Thru 008214413 | 1-10-677190A | Y |
| | | Post 008214413 | 1-10-677206A | Y |
| | Gasket, Hopper Top | | 1-00-375501 | Y |
| | Grommet, 3/4" | | 3-31-960021 | |
| | Hopper Switch | | 3-20-232108 | Y |
| 6 | Differential Switch | | 3-20-6866 | Y |
| 7 | Gasket, Burn Pot\Tailpipe | Pkg of 5 | 1-00-07381 | Y |
| 8 | Combustion Blower | | 3-21-08639 | Y |
| | 5" Double Paddle Fan Blade | Commonly required for Combustion Blower replacement | 3-20-502221 | Y |
| | Blower Mounting Screws (Pkg of 100) | | 1-00-53483208 | |
| | Mounting Plate | | 1-10-677006 | |
| 9 | Hopper Insulation (Pre 008219391) | No longer Available | 3-44-677037 | |
| 10 | Hopper Hinge Plate | Qty. 2 Req. | 2-00-06695L | |
| 11 | Hinge | | 2-00-06694 | |
| 12 | Hopper Knob | Gold | 1-00-02000 | |
| | | Black | 1-00-02000-1 | |
| 13 | Hopper Lid, Glass | | 3-40-247100 | Y |
| 14 | Hopper Lid Latch (Male and Female) | 2 Sets | 1-00-0669697 | Y |
| | Ball Plungers | Pkg of 3 | 3-31-5500-3 | |
| | Hopper Lid Gasket | 20 Ft | 1-00-375501 | Y |
| | Push Retainers, 5/16" | Pkg of 100 | 3-31-94807-100 | |
| | Screw Post Kit | 20 Sets | 1-00-129004 | Y |
| 15 | Top | Plain | 4-00-677057P | |
| | Top, Bronze | No longer Available | 1-10-677057-19 | |
| | Top, Brown | Pre 008206292 | 1-10-677057-14V | |
| | | Post 008206292 | 1-10-677057-14 | |
| | Top | Dark Blue Porcelain | 1-10-677057-20 | |
| | | Frost Porcelain | 1-10-677057-21 | |
| Black Porcelain | | 1-10-677057-22 | | |
| 16 | Left Side | Plain | 4-00-677055P | |
| | Left Side, Bronze | No longer Available | 1-10-677055-19 | |
| | Left Side, Brown | Pre 008206292 | 1-10-677055-14V | |
| | | Post 008206292 | 1-10-677055-14 | |
| | Left Side | Dark Blue Porcelain | 1-10-677055-20 | |
| | | Frost Porcelain | 1-10-677055-21 | |
| Black Porcelain | | 1-10-677055-22 | | |

Additional service part numbers appear on following page.

IMPORTANT: THIS IS DATED INFORMATION. Parts must be ordered from a dealer or distributor. **Hearth and Home Technologies does not sell directly to consumers.** Provide model number and serial number when requesting service parts from your dealer or distributor.



**Stocked
at Depot**

| ITEM | DESCRIPTION | COMMENTS | PART NUMBER | |
|-----------------|--|----------------------------|-----------------|---|
| 17 | Leveler Feet | Pkg of 4 | 1-00-12302 | |
| 18 | Airwash Reducer | | 1-00-677300 | |
| 19 | Ash Door Stop | | 2-00-677096B | |
| 20 | Ash Door Gasket Retainer | | 2-00-677025B | |
| | Gasket, Ash Door | 30 Ft | 1-00-71611 | Y |
| 21 | Ashlip | Plain | 4-00-677058P | |
| | Ashlip, Bronze | No longer Available | 1-10-677058-19 | |
| | Ashlip, Brown | Pre 008206292 | 1-10-677058-14V | |
| | | Post 008206292 | 1-10-677058-14 | |
| | Ashlip | Dark Blue Porcelain | 1-10-677058-20 | |
| | | Frost Porcelain | 1-10-677058-21 | |
| Black Porcelain | | 1-10-677058-22 | | |
| 22 | Ash Pan | | 1-10-677044 | Y |
| 23 | Ash Door Weldment | | 1-10-677026A | |
| 24 | Cable Lanyard | | 3-31-677070 | |
| 25 | Load Door Assembly | Plain | 1-10-677099A | Y |
| | Load Door Assembly, Bronze | No longer Available | 1-10-677099A-19 | Y |
| | Load Door Assembly | Dark Blue | 1-10-677099A-20 | Y |
| | | Black Enamel | 1-10-677099A-22 | Y |
| | | Frost Porcelian | 1-10-677099A-21 | Y |
| | Load Door Assembly, Brown | Pre 008206292 | 1-10-677099-14V | Y |
| Post 008206292 | | 1-10-677099A-14 | Y | |
| | Door Only w/Rope | Plain | 4-00-674053A | Y |
| | | Dark Blue | 4-00-674053-20A | Y |
| | | Black Enamel | 4-00-674053-22A | Y |
| | | Frost Porcelian | 4-00-674053-21A | Y |
| | Door Only w/Rope, Brown | Pre 008206292 | 4-00-674053-14S | Y |
| | | Post 008206292 | 4-00-674053-14A | Y |
| | Air Grill | Plain | 3-00-677004P | |
| | Latch Roller Hardware | | 1-00-05230 | Y |
| | Door Glass w/Gasket | | 1-00-677000 | Y |
| | Door Rope | 30 Ft | 1-00-00888 | Y |
| | Glass Clips and Hardware | Pkg of 4 | 1-00-249140 | Y |
| | Glass Rope | 10 Ft | 1-00-1186258229 | Y |
| | Handle Assembly (2 Sets) | | 1-00-249119 | Y |
| | Contains: Handle, 6 mm Washer, SHCS, handle, Dowel, Plunger, SSS, Bhcs | | | |
| | Latch Trim Plate, Enamel Only | | 2-00-674206P | |
| | Wooden Handle | Pkg of 2 | 1-00-00247 | Y |

Additional service part numbers appear on following page.

IMPORTANT: THIS IS DATED INFORMATION. Parts must be ordered from a dealer or distributor. **Hearth and Home Technologies does not sell directly to consumers.** Provide model number and serial number when requesting service parts from your dealer or distributor.



Stocked
at Depot

| ITEM | DESCRIPTION | COMMENTS | PART NUMBER | |
|-----------------|--|----------------------------|-----------------|---|
| 26 | Letters | | 2-00-677022S | |
| 27 | Burn Pot | | 1-10-00675 | Y |
| | Clean Out Cover | 2 Sets | 1-00-06623 | Y |
| | Thumb Screw | Pkg of 10 | 3-31-782108-10 | Y |
| 28 | Flame Guide | | 3-00-03000 | Y |
| 29 | Gasket, Burn Pot | | 3-44-237639 | Y |
| 30 | Distribution Blower Mount Plate | | 2-00-677006L | |
| 31 | Distribution Blower | | 1-00-29145 | Y |
| | Wire Kit (Needed for Bay Motor to EBM) | No longer available | 1-00-29045 | |
| | Distribution Blower Box | | 2-00-677023B | |
| 32 | Extension Spring | | 3-31-2181 | |
| 33 | Hinge Plate | Qty. 2 req. | 3-00-674047 | |
| 34 | Right Side | Plain | 4-00-677056P | |
| | Right Side, Bronze | No longer Available | 1-10-677056-19 | |
| | Right Side, Brown | Pre 008206292 | 1-10-677056-14V | |
| | | Post 008206292 | 1-10-677056-14 | |
| | Right Side | Dark Blue Porcelain | 1-10-677056-20 | |
| | | Frost Porcelain | 1-10-677056-21 | |
| Black Porcelain | | 1-10-677056-22 | | |
| 35 | Air Jacket Filler Plate | | 2-00-677039B | |
| 36 | Air Jacket | Post 008219391 | 2-00-677035B | |
| 37 | Hopper Heat Shield | Post 008219391 | 2-00-677038B | |
| 38 | Distribution Blower Heat Shield | | 2-00-677041B | |
| 39 | Combustion Box Heat Shield | | 2-00-677040B | |
| 40 | Rear Shield Spacer | | 2-00-677087L | |
| 41 | Rear Shield Retainer | | 2-00-677086L | |
| 42 | Combustion Assembly Insulation | | 3-44-677042 | |
| | Arrow Burn Pot Scraper | Pkg of 10 | 2-00-773850-10 | |
| | Diagnostic Display Module | | 3-20-05401 | Y |
| | DDM Replacement Cable | | 1-00-05402 | |
| | Draft Meter Assembly | | 1-00-00637 | Y |
| | Draft Meter Bolt & Tube | | 1-00-04004 | |
| | Circuit Board w/Knobs & Shaft | | 1-00-05886 | Y |
| | 5 Amp Fuse | Pkg of 5 | 3-20-23705-5 | Y |
| | Knob, Control Board/D-shaft | 25 Sets | 1-00-015605 | Y |
| | Label, Control Board | | 3-90-247266 | |
| | Hopper Muffler and Fitting | 1 Set | 1-00-18186618 | Y |

Additional service part numbers appear on following page.

IMPORTANT: THIS IS DATED INFORMATION. Parts must be ordered from a dealer or distributor. **Hearth and Home Technologies does not sell directly to consumers.** Provide model number and serial number when requesting service parts from your dealer or distributor.

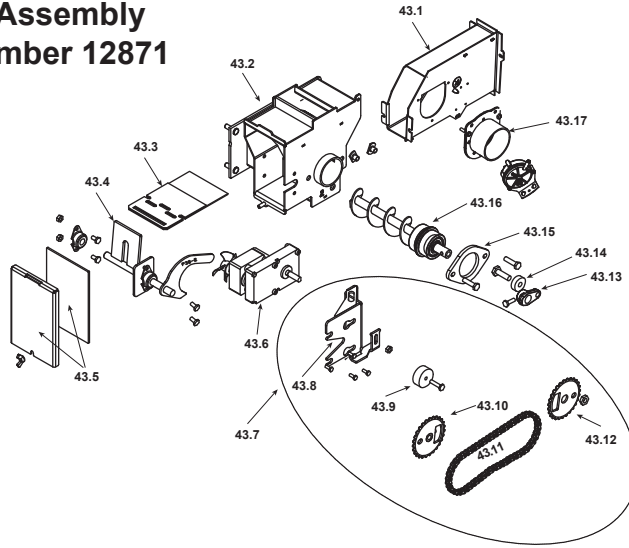


Stocked
at Depot

| ITEM | DESCRIPTION | COMMENTS | PART NUMBER | |
|--------------------------|--|----------------------------|----------------|---|
| | Igniter | | 3-20-677200 | Y |
| | | Pkg of 10 | 1-00-677200 | Y |
| | Igniter Cradle, Holder, & Flat Bottom | 3 Sets | 1-00-06620 | Y |
| | Labels, Caution & Danger | 10 Ea | 1-00-200408541 | |
| | Latch Retainer, Load Door | | 2-00-674098S | |
| | Power Cord | | 3-20-39685 | Y |
| | Rocker Switch | Pre 008203932 | 3-20-07625 | |
| | Room Sensor | | 3-20-00906 | Y |
| | Silicone Tubing, 1/8" | 5 Ft | 1-00-5113574 | Y |
| | Touch Paint, Enamel Brown | Pre 008206292 | 1-00-6252 | |
| | | Post 008206292 | 1-00-0014 | |
| | Touch up Paint, Black | Pre 008215076 | 3-42-1990 | |
| | | Post 008215076 | 3-42-19905 | |
| | Touch Up Paint, Bronze | No longer available | 3-42-0019 | Y |
| | Touch up Paint | Dark Blue Porcelain | 1-00-0020 | |
| | | Frost Porcelain | 1-00-0021 | |
| | | Black Porcelain | 1-00-0022 | |
| | Thermister Probe (ESP Probe) | Pre 008200828 | 3-20-11744 | Y |
| | | Post 008200828 | 3-20-00844 | Y |
| | Thermostat Extension | | 3-20-00607 | Y |
| | Wiring Harness | | 3-20-08727 | Y |
| Hardware Packages | | | | |
| | Bolt, Case Hardened Zinc Flange, 1/4-20 x 3/8 | Pkg of 50 | 3-30-2000-50 | Y |
| | Bolt, Grade 8.2 Zinc Flange SAE, 1/4-20 x 5/8 | Pkg of 50 | 3-30-2002-50 | Y |
| | Disconnects, Female, 1/4" | Pkg of 25 | 1-00-00959 | Y |
| | Nut, Zinc Plated Serrated Flange Lock, 1/4-20 | Pkg of 100 | 3-30-8024-100 | Y |
| | Nut, Grade 5 Zinc Plated Finished Hex, 5/16"-18 | Pkg of 100 | 3-30-8005-100 | Y |
| | Nut, Grade 8 Yellow Zinc Finished Hex, 5/16"-18 | Pkg of 100 | 3-30-8006-100 | Y |
| | Screw, Hex Washer Head TEKS Drill and Tap, #8-18 x 3/4" | Pkg of 100 | 3-30-5003-100 | Y |
| | Screw, Alloy Steel Black Oxide Cup Point SSS, 1/4"-20 x 1-1/2" | Pkg of 25 | 3-30-2011-25 | Y |
| | Screw, Alloy Steel Black Oxide SocketHeadCap, 1/4"-20 x 2-1/4" | Pkg of 50 | 3-30-3006-50 | Y |
| | Screw, BLK OX, HWH TCS 10-24X1/2 | Pkg of 100 | 3-30-1101-100 | Y |
| | Screw, Grade 5 Zinc Plated Hex Cap, 1/4-20 x 1" | Pkg of 50 | 3-30-1115-50 | Y |
| | Screw, Grade 5 Zinc Plated Hex Cap. 3/8-16 x 1/2" | Pkg of 50 | 3-30-1132-50 | Y |
| | Screw, Hex Washer Slot T23 Zinc Thread Cutting ,1/4-20x5/8" | Pkg of 50 | 3-30-1111-50 | Y |
| | Shim Set | Pkg of 4 | 2-00-677027-4 | |
| | Washer, Zinc Plated USS Flat Washer, 1/4" | Pkg of 100 | 3-30-0202-100 | Y |
| | Washer, External Lock, 5/16" Zinc Plated | Pkg of 100 | 3-30-0303-100 | Y |

Additional service parts on following page.

#43 Feeder Assembly Pre Serial Number 12871



IMPORTANT: THIS IS DATED INFORMATION. Parts must be ordered from a dealer or distributor. **Hearth and Home Technologies does not sell directly to consumers.** Provide model number and serial number when requesting service parts from your dealer or distributor.

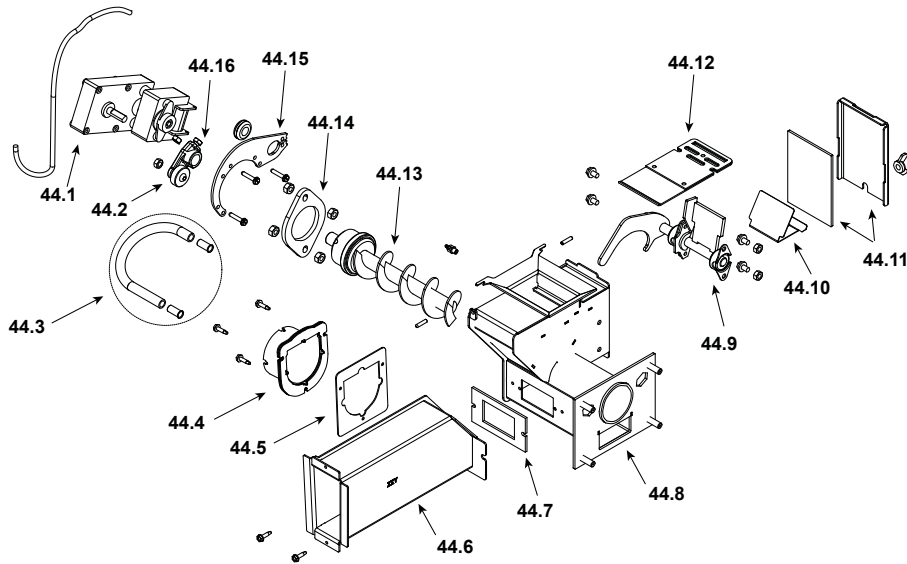


**Stocked
at Depot**

| ITEM | Description | COMMENTS | PART NUMBER | |
|-------|----------------------------|-----------|----------------|---|
| 43 | Feeder Assembly | Pre 12871 | 1-10-677153A | |
| 43.1 | Air Intake Weldment | | 1-10-677016W | |
| 43.2 | Feeder Weldment | | 1-10-677150 | Y |
| 43.3 | Slide Plate Assembly | | 1-10-08037 | Y |
| 43.4 | Pusher Arm Assembly | | 1-10-01530 | Y |
| 43.5 | Feed Cover and Gasket | 2 Sets | 1-00-677152 | Y |
| 43.6 | Gear Motor, 4 RPM | | 3-20-08752 | Y |
| 43.7 | Sprocket Kit | | 1-00-06626 | Y |
| 43.8 | Bracket, Gear Motor | | 1-10-677005 | Y |
| | Grommets & Spacers | Pkg of 25 | 1-00-960026 | |
| 43.9 | 3/4 Feeder Tensioner | | 3-31-00075 | Y |
| 43.10 | 3 1/2" Sprocket w/Hub | | 1-10-08550W | Y |
| 43.11 | Chain - 60 Pin | | 3-50-06667 | Y |
| 43.12 | 3 1/2" Sprocket | | 2-00-06626M | Y |
| 43.13 | Cast Cam Block | | 3-00-00153 | Y |
| 43.14 | Cam Bearing | | 3-31-3014 | Y |
| 43.15 | Bearing Flange w/Hardware | | 1-00-04035 | Y |
| 43.16 | Auger Assembly | | 3-50-00465 | Y |
| 43.17 | Air Intake Damper Assembly | | 1-10-06466W | |
| | Feeder Air Crossover Kit | | 1-00-67900 | Y |
| | Feeder Replacement Kit | | 1-00-677150 | Y |
| | Gasket, Feeder, Air Intake | Pkg of 6 | 3-44-72224-6 | Y |
| | Pillow Block | Pkg of 4 | 3-31-3614087-4 | Y |

Additional service parts on following page.

#44 Feeder Assembly Post Serial Number 12871



IMPORTANT: THIS IS DATED INFORMATION. Parts must be ordered from a dealer or distributor. **Hearth and Home Technologies does not sell directly to consumers.** Provide model number and serial number when requesting service parts from your dealer or distributor.



Stocked at Depot

| ITEM | Description | COMMENTS | PART NUMBER | |
|-------|--|---------------------|----------------|---|
| 44 | Feeder Assembly | Post 12871 | 1-10-677189A | |
| 44.1 | Pellet Feeder Gear Motor, 4 RPM | | 3-20-00677 | Y |
| 44.2 | UL Feeder Cam Bearing | | 3-31-3014 | Y |
| 44.3 | Feeder Air Crossover Kit | | 1-00-67900 | Y |
| | 9MM Silicone Tube | 5 Ft | 1-00-511427 | Y |
| 44.4 | Pellet Air Intake Assembly | | 1-10-06810A | |
| 44.5 | Gasket Feeder Air Intake | Pkg of 6 | 3-44-72224-6 | Y |
| 44.6 | UL Feeder Air Intake | | 1-10-677183 | |
| 44.7 | Gasket Ultra Air Intake | Pkg of 10 | 3-44-677160-10 | Y |
| 44.8 | Ultra Feeder Weldment | | 1-10-724132 | Y |
| 44.9 | UL Feeder Pusher Arm | | 1-10-677131W | Y |
| 44.10 | Fines Deflector | No longer available | 2-00-677138-10 | |
| 44.11 | Gasket, UL Feeder Cover | | 1-00-677122 | Y |
| 44.12 | Slide Plate Assembly | | 1-10-677121A | Y |
| 44.13 | UL Feeder Auger Assembly | | 3-50-00565 | Y |
| 44.14 | Bearing Flange w/Hardware | | 1-00-04035 | Y |
| 44.15 | UL Feeder Gear Motor Bracket w/Grommet | | 1-00-247406 | Y |
| 44.16 | UL Feeder Cam Block | | 3-00-677154 | Y |
| | Gasket, Hopper Throat | | 3-44-677185 | Y |
| | Hopper Switch Feeder Fitting | Pkg of 2 | 1-00-142818 | Y |
| | Pillow Block | Pkg of 4 | 3-31-3614087-4 | Y |