

IMPORTANT: THIS IS DATED INFORMATION. Parts must be ordered from a dealer or distributor. **Hearth and Home Technologies does not sell directly to consumers.** Provide model number and serial number when requesting service parts from your dealer or distributor.

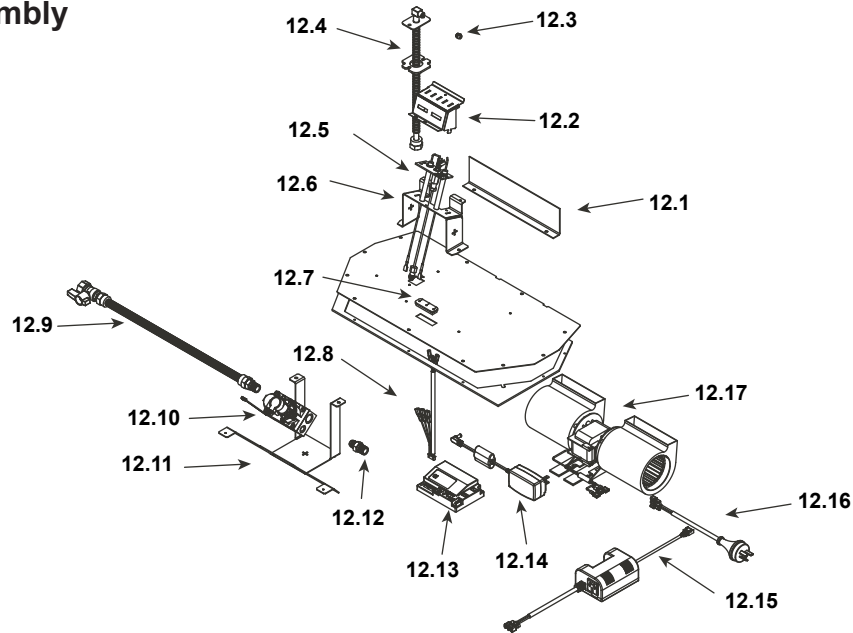
ITEM	DESCRIPTION	COMMENTS	PART NUMBER
1	Sheet Rock Ledge, 10 mm		SRV2198-147-BK
2	Top Panel Finishing Edge		SRV2335-102-BK
3	Non Combustible Board, Top, 10 mm		SRV2335-410
4	Non Combustible Board, Side, 10 mm	Qty 2 req	SRV2335-411
5	Base Pan		SRV2264-117-BK
6	Glass Door Assembly		GLA-XLR-PLUS
7	Burner N		SRV2264-007-BK
	Burner P & B		SRV2264-008-BK
8	Media Tray		SRV2264-118-BK
9	Bracket, J-Box		SRV2264-154
10	Junction Cord		2222-037
11	Lower Cover Panel		SRV2264-103-BK

No one builds a better fire

Beginning Manufacturing Date: May 2011

Ending Manufacturing Date: June 2016

#12 Valve Assembly



IMPORTANT: THIS IS DATED INFORMATION. Parts must be ordered from a dealer or distributor. **Hearth and Home Technologies does not sell directly to consumers.** Provide model number and serial number when requesting service parts from your dealer or distributor.

ITEM	DESCRIPTION	COMMENTS	PART NUMBER
12.1	Bracket		SRV2143-143
12.2	Pilot Shield	No longer available	SRV2184-123-BK
12.3	Orifice N (#42C)		582-842
	Orifice B (#55C)		582-855
	Orifice P (.057C)		582-057
12.4	Bulkhead W/Flex Tube		383-302A
12.5	Pilot Assembly N		2208-012
	Pilot Assembly P & B		2208-013
12.6	Pilot Bracket		SRV2264-174-BK
12.7	3-Hole Grommet		SRV2118-420
12.8	Module Wire Assembly		2166-304
12.9	Flex Ball Valve Assembly		SRV302-320
12.10	Valve N		SRV2166-302
	Valve P & B		2166-303
12.11	Valve Bracket		SRV2264-153
12.12	Male Connector	Pkg of 5	303-315/5
12.13	Module, Gray		2166-306
12.14	DC Regulator		SRV2326-131
12.15	AUX300-CE, Pre SN #0023019789 must also order Jumper Wire (2166-375)		2166-340
12.16	Jumper Wire		2166-375
12.17	Fan Kit		GFK-240V

Additional service part numbers appear on following page.



No one builds a better fire

Beginning Manufacturing Date: May 2011

Ending Manufacturing Date: June 2016

IMPORTANT: THIS IS DATED INFORMATION. Parts must be ordered from a dealer or distributor. Hearth and Home Technologies does not sell directly to consumers. Provide model number and serial number when requesting service parts from your dealer or distributor.

ITEM	DESCRIPTION	COMMENTS	PART NUMBER
	Battery Pack		4067-223
	Cover Plate , Heat-Zone	Qty 2 req	SRV2198-104-BK
	Elbow Heat Shield		SRV2143-168
	Gasket Assembly		2113-080
	Contains burner neck, shutter bracket, vent, seal cap, valve plate, and air passage gaskets		
	Glass Bracket Left		SRV2264-124-BK
	Glass Bracket Right		SRV2264-125-BK
	Glass Latch Assembly , Lower	Qty 2 req	SRV2264-017-BK
	Glass Latch Assembly , Top	Pkg of 2	33858/2
	Glass Lip Shield, Tonic		SRV2264-126-BK
	Glass Refractory Kit		XLR-MAG-KIT
	Heat Shield Assembly		SRV2264-016-BK
	Nailing Tabs, 10 mm	Qty 2 req	SRV2335-133-BK
	Rock Jig	No longer available	2195-124
	Tonic Front		TN-XLR-GT-B
	Top Trap, Outer		SRV2198-103
	Touch Up Paint		TUP-GBK-12
	Wall Switch Kit		WSK-21-W
	Conversion Kit N		PB2N-XLR-PLUS
	Conversion Kit B		P2B-XLR-PLUS
	Conversion Kit P		N2PB-XLR-PLUS
	Pilot Orifice N		SRV593-528
	Pilot Orifice B		593-529
	Pilot Orifice P		593-527
	Regulator N		NGK-DXV-50
	Regulator P & B		SRVLPK-DXV-50