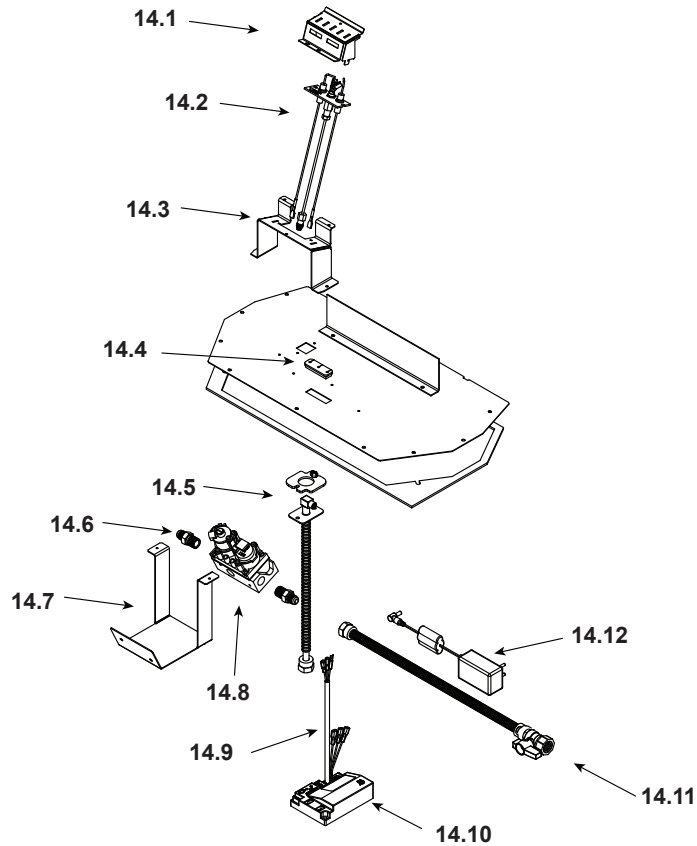


IMPORTANT: THIS IS DATED INFORMATION. Parts must be ordered from a dealer or distributor. **Hearth and Home Technologies does not sell directly to consumers.** Provide model number and serial number when requesting service parts from your dealer or distributor.

ITEM	DESCRIPTION	COMMENTS	PART NUMBER
1	Sheet Rock Ledge	No longer available	2184-147
2	Lower Cover Panel		SRV2184-103-BK
3	Top Panel Finish Edge		SRV2292-102-BK
4	Non Combustible Board	No longer available	2198-405
5	Media Tray	No longer available	SRV2198-114-BK
6	Burner N		SRV2184-007-BK
	Burner P & B		SRV2198-007-BK
7	Base Pan		2198-115
8	Glass Door Assembly		GLA-SLR
9	Junction Cord		2166-374
10	Thermostat Wire		SRV2118-170

No one builds a better fire

#14 Valve Assembly



IMPORTANT: THIS IS DATED INFORMATION. Parts must be ordered from a dealer or distributor. **Hearth and Home Technologies does not sell directly to consumers.** Provide model number and serial number when requesting service parts from your dealer or distributor.

ITEM	DESCRIPTION	COMMENTS	PART NUMBER
14.1	Pilot Shield	No longer available	SRV2184-123-BK
14.2	Pilot Assembly N		SRV2090-012
	Pilot Assembly P & B		2090-013
14.3	Pilot Bracket		2198-174
14.4	3-Hole Grommet		SRV2118-420
14.5	Bulkhead W/Flex Tube		383-302A
14.6	Male Connector	Pkg of 5	303-315/5
14.7	Valve Bracket		SRV2264-153
14.8	Valve N		2166-308
	Valve P & B		2166-309
14.9	Module Wire Assembly		2166-304
14.10	Module		2166-306
14.11	Flex Ball Valve Assembly		2098-320A
14.12	Power Supply		SRV2326-131
	Orifice N (#42C)		582-842
	Orifice B (#55C)		582-855
	Orifice P (.057C)		582-057

Additional service part numbers appear on following page.

