

No one builds a better fire

Gas Stove - DV

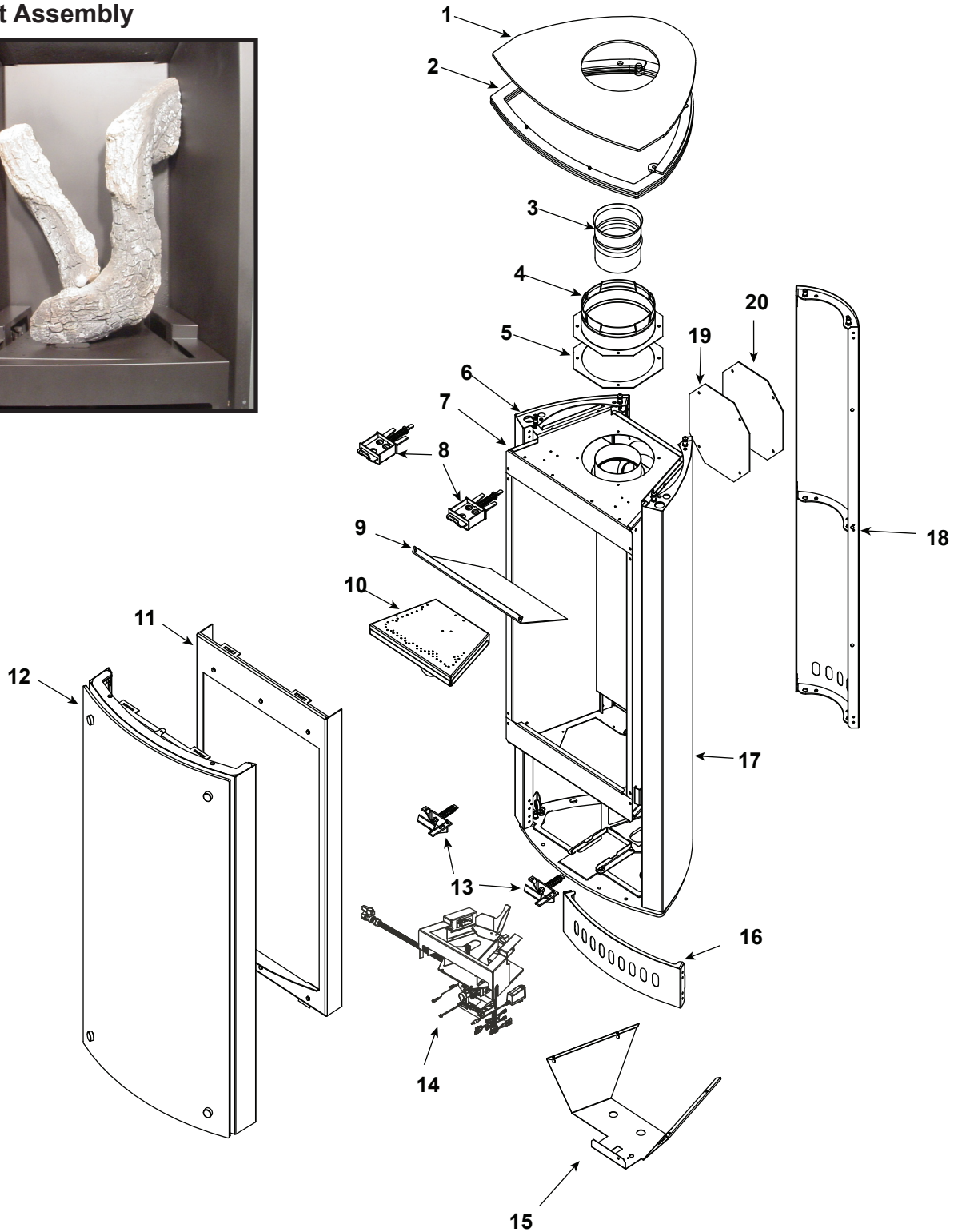
Beginning Manufacturing Date: Jan 2011

Ending Manufacturing Date: Nov 2014

VRT-GY-P-CEB, VRT-BZ-P-CEB, VRT-GR-N-CEB, VRT-GR-P-CEB, VRT-GR-B-CEB: Nov 2014

VRT-GY-N-CEB, VRT-GY-B-CEB, VRT-BZ-N-CEB, VRT-BZ-B-CEB (Ending Manufacturing Date: May 2014)

Log Set Assembly



Part number list on following page.



No one builds a better fire

Beginning Manufacturing Date: Jan 2011

Ending Manufacturing Date: Nov 2014

IMPORTANT: THIS IS DATED INFORMATION. Parts must be ordered from a dealer or distributor. **Hearth and Home Technologies does not sell directly to consumers.** Provide model number and serial number when requesting service parts from your dealer or distributor.

ITEM	DESCRIPTION	COMMENTS	PART NUMBER
	Log Set Assembly		7031-033
1	Removable Top Assembly Top Vent		7031-017
	Removable Top Assembly Rear Vent		SRV2123-025
2	Top Assembly		7031-013
3	Adapter 4 inch flue collar		SLP-SA
4	DV Adapter		SRV2189-002
5	Adapter Gasket		460-0610
6	Side Assembly Left		2123-027
7	Firebox Assembly		SRV2123-004
8	Latch Assembly Upper	Qty 2 req	7003-006
9	Baffle		7031-219
10	Burner N		7031-056
	Burner P		7031-057
11	Glass Frame Assembly		SRV2123-005
12	Front Door Assembly	Bronze	SRV2123-028
		Gray	SRV2123-016
		No longer available	2123-029
13	Latch Assembly Lower	Pkg of 2	386-122A/2
14	Valve Assembly		Refer to Valve Page
15	Air Deflector		SRV2123-185
16	Access Door Assembly		7031-023
17	Side Assembly Right		2123-026
18	Back Panel Assembly Top Vent		7031-021
	Back Panel Assembly Rear Vent		SRV7031-022
19	Cover Plate Gasket	No longer available	2189-110
20	Cover Plate		SRV2189-111
	Bottom Plate Assembly		SRV2123-015
	Blower Bracket		SRV7031-194
	Conversion Kit (P to B)	No longer available	P2B/B2P-VRT-CEB
	Conversion Kit (N to PB)	No longer available	N2PB-VRT-CEB
	Conversion Kit (PB to N)	No longer available	PB2N-VRT-CEB
	Pilot Orifice N	Pre T0021039	2098-520
		Post T00210039	SRV593-528
	Pilot Orifice P	Pre T0021039	SRV2098-512
		Post T00210039	SRV593-527

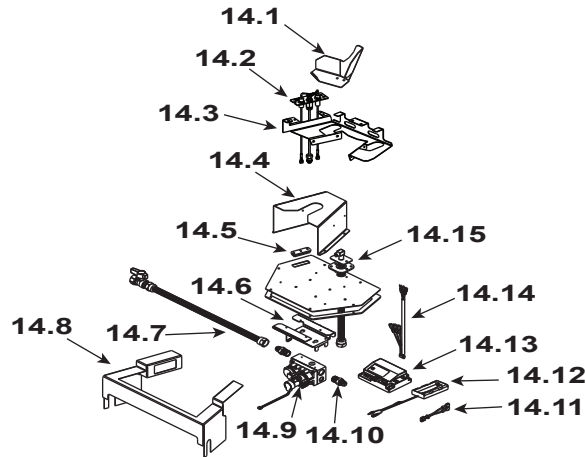
Additional service parts on following page.

No one builds a better fire

Beginning Manufacturing Date: Jan 2011

Ending Manufacturing Date: Nov 2014

#14 Valve Assembly



IMPORTANT: THIS IS DATED INFORMATION. Parts must be ordered from a dealer or distributor. **Hearth and Home Technologies does not sell directly to consumers.** Provide model number and serial number when requesting service parts from your dealer or distributor.

ITEM	DESCRIPTION	COMMENTS	PART NUMBER
14	Valve Assembly N		SRV2123-008
	Valve Assembly P		2123-009
14.1	Log Bracket		SRV7031-282
14.2	Pilot Assembly N	Pre T0021039	2198-014
		Post T00210039	SRV2090-012
	Pilot Assembly P	Pre T0021039	2198-015
		Post T00210039	2098-013
14.3	Pilot Bracket		SRV2123-140
14.4	Burner Support		SRV7031-279
14.5	3-Hole Grommet		SRV2118-420
14.6	Valve Bracket		SRV2189-117
14.7	Flex Ball Valve Assembly		2098-320A
14.8	Valve N		SRV2166-302
	Valve P		2166-303
14.9	Burner Shelf		SRV2123-126
14.10	Male Connector	Pkg of 5	303-315/5
14.11	Jumper Wire		SRV2187-198
14.12	240V-6V Power Supply		SRV2326-131
14.13	Battery Pack**		4067-223
14.14	Module, Gray		2166-306
14.15	Wire Harness		2166-304
14.16	Flex gas Connector		383-302A
	Orifice N (#39C)		582-839
	Orifice P (#53C)		582-853
	Orifice B (#55C)		582-855

**Fuse for battery pack can be sourced locally, not a warranty item. Specs are 500mA~10A 3/4" long

Additional service parts on following page.

