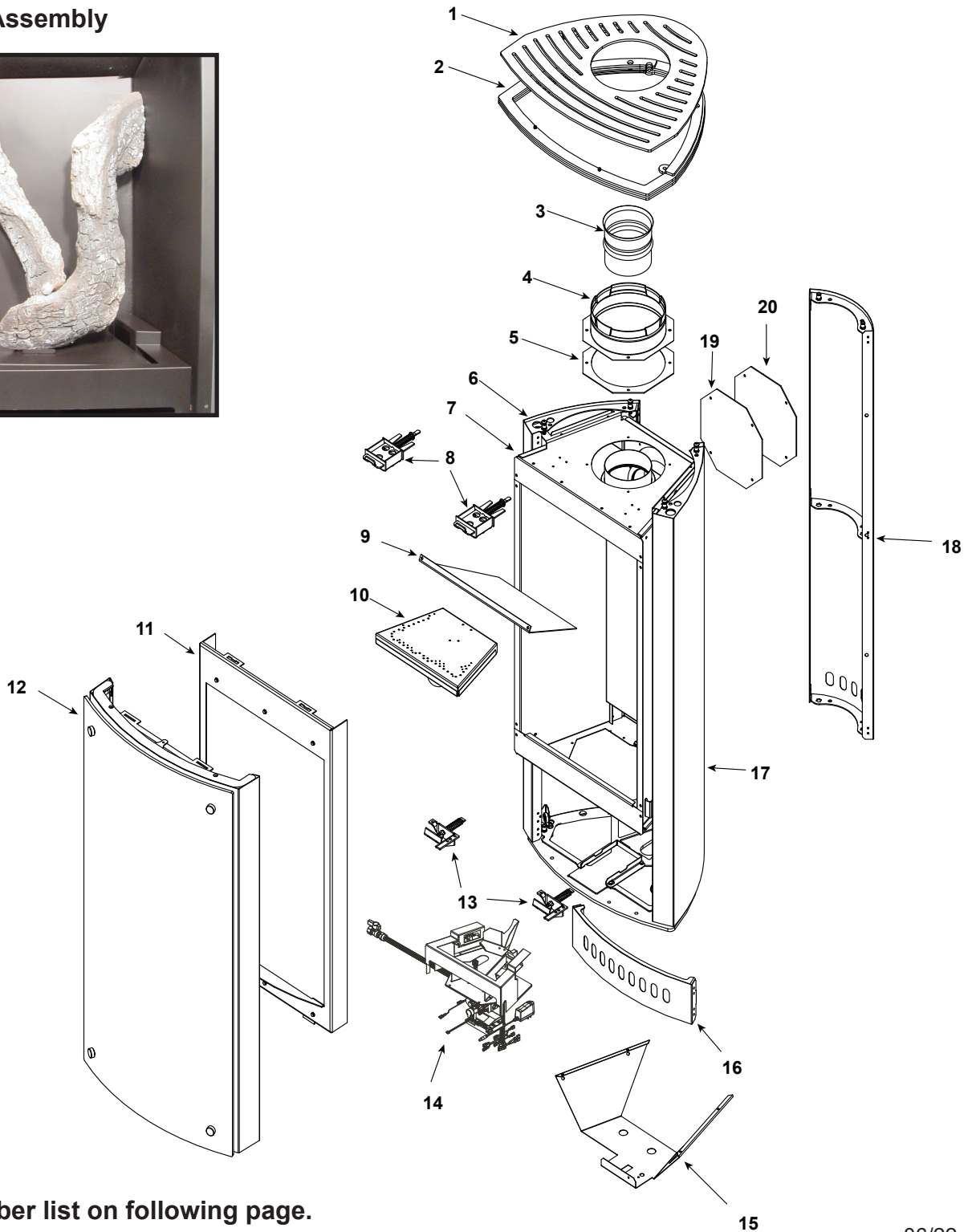


VRT-BK-N-AUB Beginning Manufacturing Date: Sept 2014 (Ending Manufacturing Date: Dec 2021)

VRT-GY-N-AUB, VRT-BZ-N-AUB: (Ending Manufacturing Date: April 2017)

VRT-GY-P-AUB, VRT-BZ-P-AUB (Ending Manufacturing Date: May 2012)

Log Set Assembly



Part number list on following page.

No one builds a better fire

Beginning Manufacturing Date: Mar 2011

Ending Manufacturing Date: Oct 2021

IMPORTANT: THIS IS DATED INFORMATION. Parts must be ordered from a dealer or distributor. **Hearth and Home Technologies does not sell directly to consumers.** Provide model number and serial number when requesting service parts from your dealer or distributor.

ITEM	DESCRIPTION	COMMENTS	PART NUMBER
	Log Set Assembly		7031-033
1	Removable Top Assembly Top Vent	Gray	2123-012
		Black	SRV2123-012-BK
	Removable Top Assembly Rear Vent	Gray	SRV2123-025
		Black	2123-025-BK
2	Top Assembly	Gray	7031-013
		Black	SRV7031-013-BK
3	Adapter 4 inch flue collar		SLP-SA
4	DV Starting Collar		SRV2189-002
5	Adapter Gasket		460-0610
6	Side Assembly Left	Gray	2123-027
		Black	SRV2123-027-BK
7	Firebox Assembly		SRV2123-004
8	Latch Assembly Upper		7003-006
9	Heat Shield		SRV2123-120
10	Burner N		SRV2123-017
	Burner P		SRV2123-022
11	Glass Frame Assembly		SRV2123-005
12	Front Door Assembly	Bronze	SRV2123-028
		Gray	SRV2123-016
		Black	SRV2123-028-BK
13	Latch Assembly Lower	Pkg of 2	33858/2
14	Valve Assembly		Refer to valve page
15	Air Deflector		SRV2189-112
16	Access Door Assembly	Gray	SRV7031-023-BK
		Black	SRV7031-023-BK
17	Side Assembly Right	Gray	2123-026
		Black	SRV2123-026-BK
18	Back Panel Assembly Top Vent	Gray	7031-021
		Black	SRV7031-021-BK
	Back Panel Assembly Rear Vent	Gray	SRV7031-022
		Black	SRV7031-022-BK
19	Cover Plate Gasket		7010-160
20	Cover Plate		SRV2189-111
	Cap and Barrel	Gray	SRV2123-019
		Black	SRV2143-030

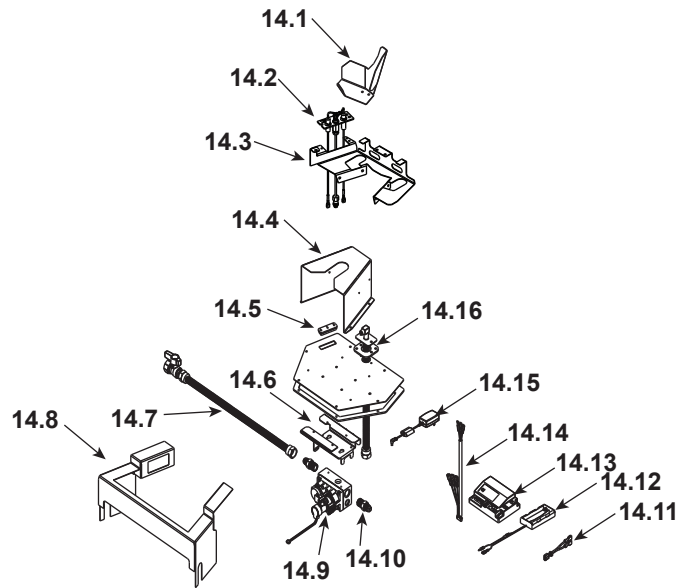
Additional service part numbers appear on following page.

No one builds a better fire

Beginning Manufacturing Date: Mar 2011

Ending Manufacturing Date: Oct 2021

#14 Valve Assembly



IMPORTANT: THIS IS DATED INFORMATION. Parts must be ordered from a dealer or distributor. **Hearth and Home Technologies does not sell directly to consumers.** Provide model number and serial number when requesting service parts from your dealer or distributor.

ITEM	DESCRIPTION	COMMENTS	PART NUMBER
14	Valve Plate Assembly N		SRV2123-008
	Valve Plate Assembly P		2123-009
14.1	Log Bracket		SRV7031-282
14.2	Pilot Assembly N	Pre T0021039	2198-014
		Post 0081250001	2090-012
	Pilot Assembly P	Pre T0021039	2198-015
		Post 0081250001	2098-013
14.3	Pilot Bracket		SRV2123-140
14.4	Burner Support		SRV7031-279
14.5	3-Hole Grommet		SRV2118-420
14.6	Valve Bracket		SRV2189-117
14.7	Flex Ball Valve Assembly, 24"		3-40-2098034
14.8	Burner Shelf		SRV2123-126
14.9	Valve N		SRV2166-302
	Valve P		2166-303
14.10	Male Connector	Pkg of 5	303-315/5
14.11	Jumper Wire		SRV2187-198
14.12	Battery Pack**		4067-223
14.13	Module, Gray		2166-306
14.14	Wire Harness		2166-304
14.15	Transformer, 6 Volt, Wall		SRV2326-131
14.16	Flex gas Connector		SRV303-320
	Orifice N (#41C)		582-841
	Orifice P (#54C)		SRV582-854

**Fuse for battery pack can be sourced locally, not a warranty item. Specs are 500mA~10A 3/4" long



No one builds a better fire

Beginning Manufacturing Date: Mar 2011

Ending Manufacturing Date: Oct 2021

IMPORTANT: THIS IS DATED INFORMATION. Parts must be ordered from a dealer or distributor. Hearth and Home Technologies does not sell directly to consumers. Provide model number and serial number when requesting service parts from your dealer or distributor.

ITEM	DESCRIPTION	COMMENTS	PART NUMBER
	AUX300 CE		2166-340
	Blower, 240V		GFK-240V
	Blower Bracket		SRV7031-194
	Front Glass	Gray	PAL-GLS-GY
		Bronze	PAL-GLS-BZ
	Flue Restrictor Plate		SRV2123-121
	Magnet Bracket Assembly		SRV7031-028
	Power Cord-240V		2222-374
	RC300AU Remote		REM300-HNG-AU
	Top Vent Conversion Kit		VRT-TR-AU
		Black	VRT-TR-BK
	Conversion Kit (N to P)		N2P-VRT-AUB
	Conversion Kit (P to N)		P2N-VRT-AUB
	Pilot Orifice N	Pre T0021039	2098-520
		Post T0021039	SRV593-528
	Pilot Orifice P	Pre T0021039	SRV2098-512
		Post T0021039	SRV593-527