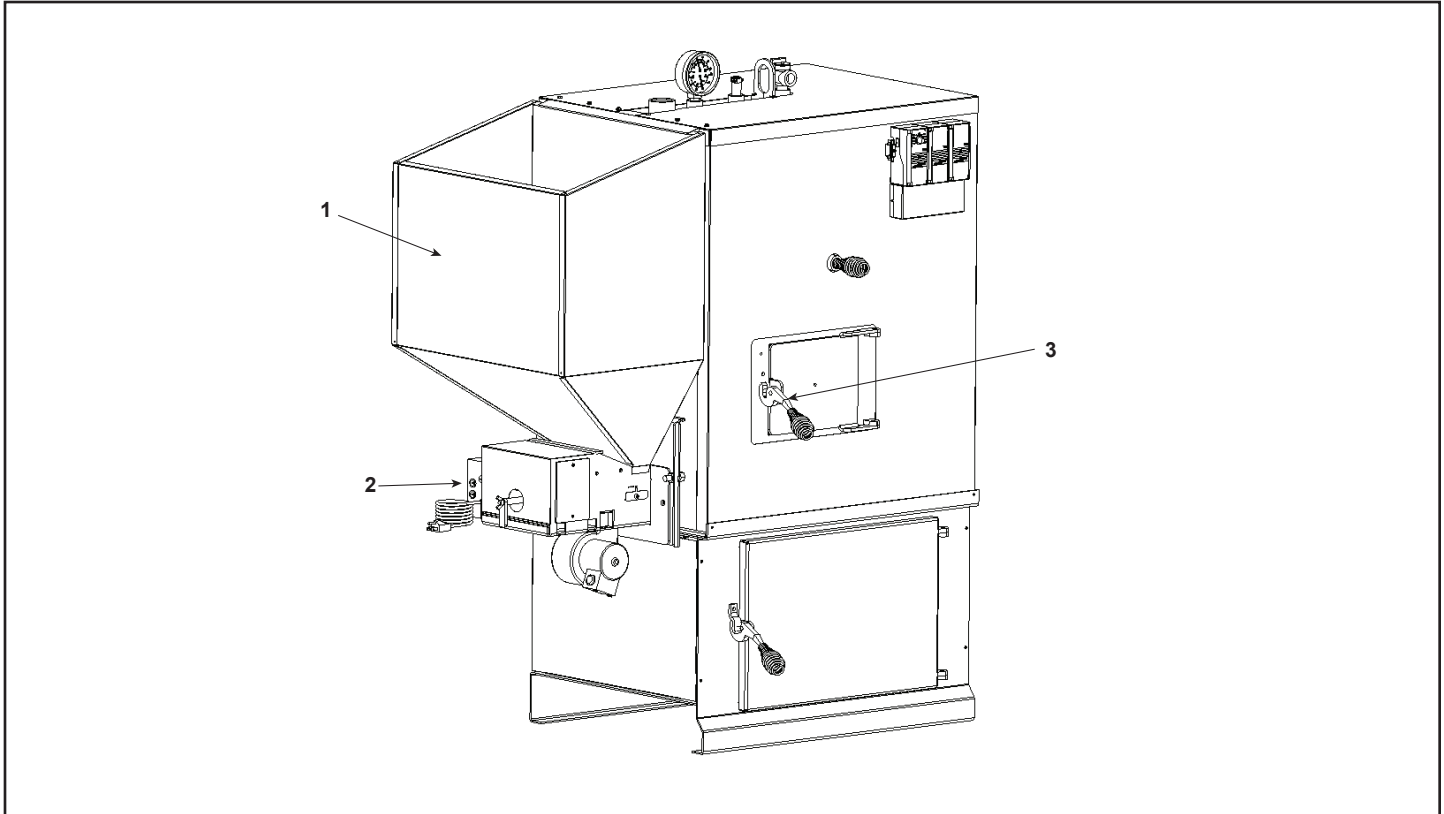


1-70-03241



IMPORTANT: THIS IS DATED INFORMATION. Parts must be ordered from a dealer or distributor. **Hearth and Home Technologies does not sell directly to consumers.** Provide model number and serial number when requesting service parts from your dealer or distributor.

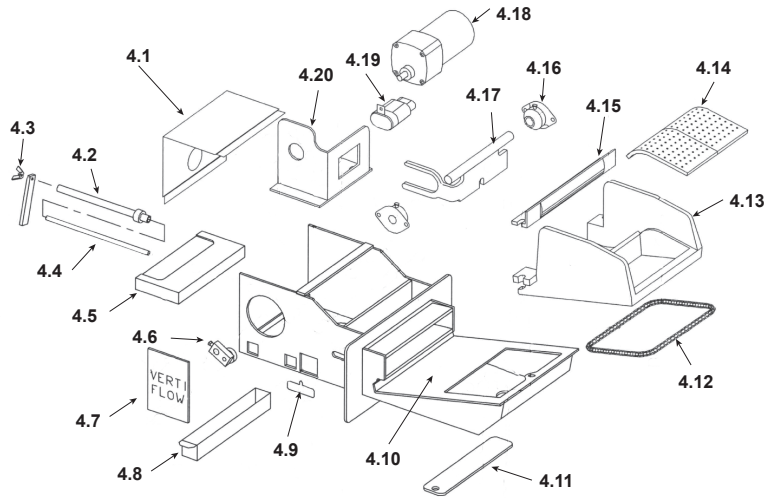


Stocked at Depot

ITEM	DESCRIPTION	COMMENTS	PART NUMBER	
1	Hopper assembly	No longer available	1-00-4677373	
2	Timer control box	No longer available	3-20-44322	
	Fuse holder - (timer control box)	No longer available	3-20-00900	
3	Door handle	Qty 2 req	4-00-00042	Y
	Spring handle - brass plate 1/2"	Pkg of 3	3-40-00086-3-3	
	Door Latch	4 Sets	1-00-00036	Y
	Aquastat replacement for White Rodgers	No longer available	1-00-03500	
	Controller a350aa-2c	No longer available	3-10-1350112	
	Power supply y350r-1c	No longer available	3-10-935071	
	Sensor/a350 control appbc-25c (aquastat well sensor)	No longer available	3-10-2992225	
	Aquastat Terminal Block	No longer available	1-10-03501A	
	Stage module s350aa-1c	No longer available	3-10-7350111	
	Aquastat Well		3-10-935111	Y
	Ash Chamber Baffle	No longer available	1-00-00242	
	Ash Door Assembly	No longer available	1-10-08763A	
	Ash pan (galvanized tub - 12 gallon/#1) (available locally)	No longer available	3-41-01882	

Additional service part numbers appear on following page.

#4 Feeder Assembly



IMPORTANT: THIS IS DATED INFORMATION. Parts must be ordered from a dealer or distributor. **Hearth and Home Technologies does not sell directly to consumers.** Provide model number and serial number when requesting service parts from your dealer or distributor.



Stocked at Depot

ITEM	DESCRIPTION	COMMENTS	PART NUMBER	
4.1	Feeder Motor Cover	No longer available	2-00-00052P	
	Pusher Block Assembly (w/Tube & Threaded Rod)	No longer available	1-10-00099	
4.2	Pusher Block Adjuster Tube	No longer available	1-10-00050P	
4.3	5/16-18 Zinc Plated Cold Forged Wing Nut	Pkg of 25	3-30-8012-25	Y
4.4	Pusher Block Adjuster Rod	No longer available	2-00-08011-2	
4.5	Pusher Block	No longer available	3-50-00026	
4.6	Cam Block Assembly	No longer available	1-10-00102A	
	Feeder cam block	No longer available	3-50-00054	
	Feeder cam Bearing		3-31-3014	Y
4.7	Cam Arm cover	No longer available	2-00-00053P	
4.8	Fines Tray	No longer available	2-00-00055	
4.9	Feed Indicator Hardware	No longer available	1-00-00056	
4.10	Feeder Body Weldment	No longer available	1-10-00687	
4.11	Clean-Out Slide	No longer available	2-00-00048P	
4.12	Gasket, 3/8" round White LD (Grate Holder)	5 Ft	1-00-43375	Y
4.13	Grate Holder Assembly	No longer available	1-10-01000	
4.14	Grate Inserts	No longer available	4-00-00046D	
4.15	Grate Angle - Cast	No longer available	3-00-00218	
4.16	Pillow Block - 3/4" Flange	No longer available	3-31-324122	
4.17	Pusher Arm Weldment	No longer available	1-10-00025	
4.18	Gearmotor - 1/80 HP-4.5 RPM	No longer available	3-20-60075	
4.19	Capacitor 370 Vac Motor Run	No longer available	3-20-69654	
	Capacitor Holder Kit	No longer available	3-20-36533	
4.20	Feed Motor Mount	No longer available	1-10-00031P	
	Gasket 1" White w/Adhesive (Feeder to Body Gasket)	10 FT	1-00-88100	Y

Additional service part numbers appear on following page.

IMPORTANT: THIS IS DATED INFORMATION. Parts must be ordered from a dealer or distributor. **Hearth and Home Technologies does not sell directly to consumers.** Provide model number and serial number when requesting service parts from your dealer or distributor.



Stocked
at Depot

ITEM	DESCRIPTION	COMMENTS	PART NUMBER	
	Boiler Coil Plate		1-10-07006	
	Brick	No longer available	1-00-00780	
	Bushing, Steel Sleeve, 3/8 OD x 1/4 OAL	Pkg of 5	3-50-00058-5	Y
	Cleanout Rod		2-00-01036	Y
	Cleanout Slide	No longer available	2-00-00227B	
	Combustion Blower 75cfm - 22 in cord	No longer available	3-21-07522	
	Combustion blower restrictor plate	No longer available	2-00-01023-2	
	Cord, 22"	No longer available	3-20-29523	
	Coupling (for Oil Burner Option)	No longer available	1-10-01204W	
	Din Rail End Clamp	No longer available	3-31-01021	
	Din Rail, 8", (for Mounting Controls	No longer available	3-31-01020	
	Door Assembly (for Oil Burner Option)	No longer available	1-10-01203A	
	Door Hinge	Qty 4 req	2-00-07203D	
	Element Cover (For Back up)	No longer available	1-10-01008S	
	Feeder Adapter Plate	No longer available	2-00-00152B	
	Fiber Board, 2" Thick, (for Oil Burner Option)		3-44-01760	
	Gasket 1/2" Rope (ash pan door)	20 Ft	1-00-53500	Y
	Gasket 1" w/adhesive - 2 ply (fire door)	20 Ft	1-00-88250	Y
	Gasket Glue, 32 oz		3-42-4583	
	Gasket, 3/8" Round HD	5 Ft	1-00-43375	Y
	Gasket, Boiler Plate		3-10-24758	
	Hopper clip	No longer available	2-00-01070S	
	Jacket Front	No longer available	2-00-00244S	
	Jacket Side, Left	No longer available	2-00-00245-1S	
	Jacket side, Right	No longer available	2-00-00245-2S	
	Jacket Top	No longer available	2-00-00243S	
	Nozzle cover (for Oil Burner Option)	No longer available	2-00-01164B	
	Oil burner	No longer available	1-00-01050	
	Oil to coal on/off control assembly	No longer available	1-10-01205A	
	Plug, 3/4" Square	No longer available	3-10-00600	
	Power Cord, 8 Ft		3-20-29685	Y
	Pressure Temp Gauge - Bottom Mount		3-10-78422	Y
	Safety Relief Valve		3-10-77382	Y
	Steel Water Plate		2-00-01076L	
	Thermostat-low voltage		3-20-12080	Y
	Touch-up Paint, Aerosol		3-42-7737	
	VF3K Kit assembly	No longer available	1-00-01002A	