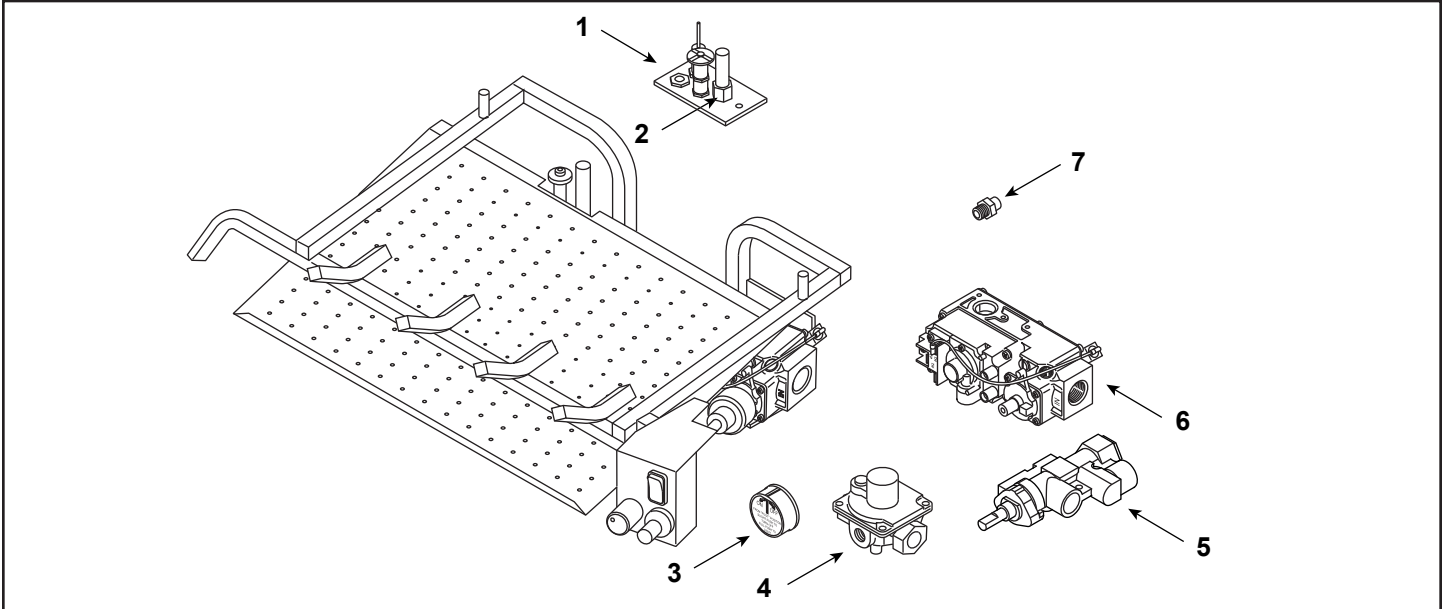


VDY30NMP (Natural Gas Manual Control) - Ending Manufacturing Date: April 2019
VDY30NVP (Natural Gas Millivolt Control) - Active
VDY30PMP (Propane Manual Control) - Ending Manufacturing Date: April 2019
VDY30PVP (Propane Millivolt Control) - Active



IMPORTANT: THIS IS DATED INFORMATION. Parts must be ordered from a dealer or distributor. **Hearth and Home Technologies does not sell directly to consumers.** Provide model number and serial number when requesting service parts from your dealer or distributor.



Stocked at Depot

ITEM	DESCRIPTION	COMMENTS	PART NUMBER	
1	Pilot Assembly (Manual Control)	NG	27D8972K	Y
		Propane	27D8971K	Y
	Pilot Assembly (Millivolt Control)	NG	SRV27D8974	Y
		Propane	SRV27D8973	Y
2	Thermocouple/Thermopile	Manual Control	SRV28D0400	
3	Control Knob	Manual Control	SRV27D0602	
		Millivolt Control	SRV18D0603	
4	Regulator (Manual Control)	NG	SRV24D0305	Y
		Propane	SRV24D0306	Y
5	Control Valve (Manual Control)	NG & Propane	SRV27D8951	Y
6	Control Valve (Millivolt Control)	NG	27D8006K	Y
		Propane	27D8005K	Y
	Switch, On/Off (Millivolt Control)		SRV32D0232	Y
	Wire Harness (Millivolt Control)		SRV32D0240	Y
7	Injector (Manual Control)	NG	32D0090	
		Propane	SRV32D0113	
	Injector (Millivolt Control)	NG	SRV32D0090	
		Propane	SRV32D0117	
	Piezo Igniter		SRV14D0503	Y