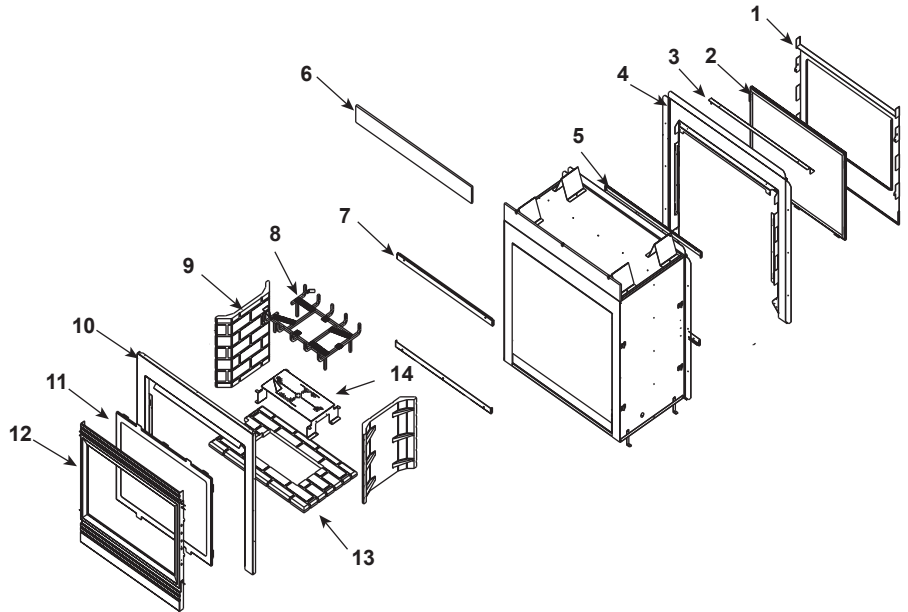


Log Set Assembly



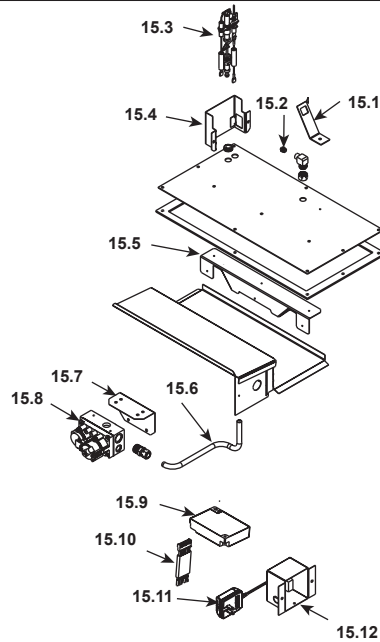
IMPORTANT: THIS IS DATED INFORMATION. Parts must be ordered from a dealer or distributor. **Hearth and Home Technologies does not sell directly to consumers.** Provide model number and serial number when requesting service parts from your dealer or distributor.



Stocked in Depot

ITEM	DESCRIPTION	COMMENTS	PART NUMBER	
	Log Set Assembly	Pre SN#002253964	LOGS-MS	Y
		Post SN#002253964	LOGS-TWILIGHT	Y
1	Outdoor Door Assembly	No longer available	674-180	
2	Outdoor Glass Assembly	No longer available	GLA-OUTDOOR	
3	Hood - Exterior Side	No longer available	SRV674-174	
4	Outside Surround	No longer available	674-130	
5	Glass Clip Outdoor	No longer available	674-137	
6	Insulation Board	No longer available	674-452	
7	Glass Clip Indoor	No longer available	674-138	
8	Grate Assembly	No longer available	674-364	
9	Refractory, Side	No longer available	SRV504-737-UM	
10	Inside Surround	No longer available	674-131	
11	Indoor Glass Assembly	No longer available	GLA-INDOOR	
12	Indoor Door Assembly	No longer available	DF-36H	
13	Base Refractory	No longer available	SRV504-738-UM	
14	Burner NG		674-176A	Y
	Burner LP		674-175A	Y
	Flashing Corner Cover	No longer available	674-169	
	Mineral Wool		050-721	
	Remote		SMART-STAT-HHT	
	Touch Up Paint		TUP-GBK-12	

#15 Valve Assembly



IMPORTANT: THIS IS DATED INFORMATION. Parts must be ordered from a dealer or distributor. **Hearth and Home Technologies does not sell directly to consumers.** Provide model number and serial number when requesting service parts from your dealer or distributor.



**Stocked
in Depot**

ITEM	DESCRIPTION	COMMENTS	PART NUMBER	
15.1	Orifice Bracket	No longer available	674-110	
15.2	Burner Orifice (NG) (#31C)		SRV582-831	Y
	Burner Orifice (LP) (1.8 mm)		582-818	Y
15.3	Pilot Assembly NG		SRV4021-730	Y
	Pilot Assembly LP		SRV4021-731	Y
15.4	Pilot Bracket	No longer available	674-164	
15.5	Valve L Bracket		674-168	
15.6	Flexible Gas Connector		477-301A	Y
15.7	Valve Bracket	No longer available	674-167	
15.8	Valve NG		SRV593-500	Y
	Valve LP		SRV593-501	Y
15.9	Control Module		SRV593-592	Y
15.10	Wire Assembly		SRV593-590	Y
15.11	3V Adaptor		SRV593-593	Y
15.12	Junction Box		100-250A	Y
	Flex Ball Valve Assembly		SRV302-320	Y
	Battery Pack		SRV593-594	Y
	Conversion Kit NG	No longer available	NGK-STIO	
	Conversion Kit LP	No longer available	LPK-STIO	
	Pilot Orifice NG		SRV446-505	Y
	Pilot Orifice LP		SRV446-517	Y
	Regulator NG		SRVNGK-DXF	Y
	Regulator LP		SRVLPK-DXF	Y