

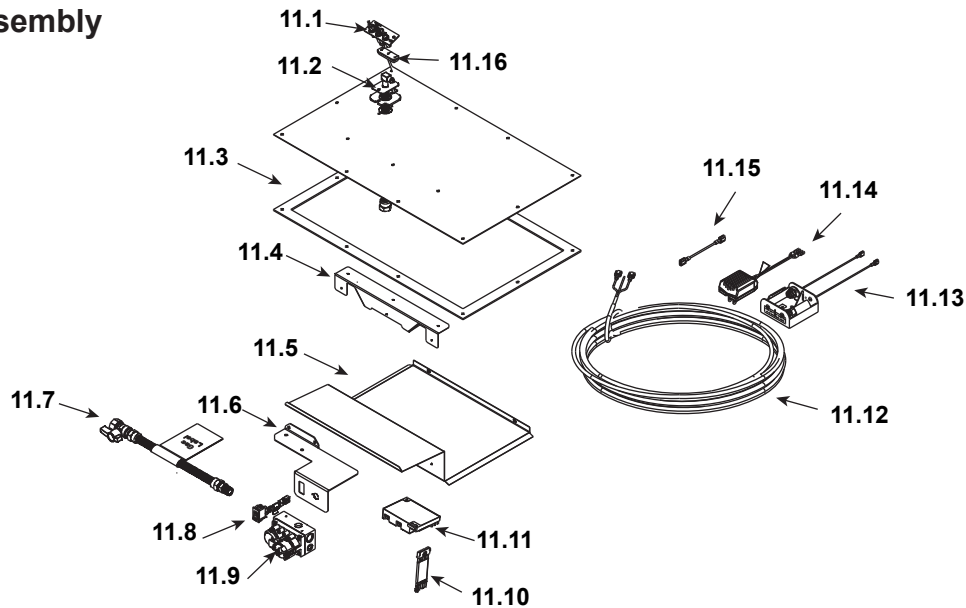
IMPORTANT: THIS IS DATED INFORMATION. Parts must be ordered from a dealer or distributor. **Hearth and Home Technologies does not sell directly to consumers.** Provide model number and serial number when requesting service parts from your dealer or distributor.



Stocked
in Depot

ITEM	DESCRIPTION	COMMENTS	PART NUMBER	
1	Firescreen	Black	FS-TWI-BK	
	Mesh Assembly	Black	2368-030	
2	Outdoor Glass Assembly		GLA-OUTDOOR2	
3	Pilot Shield		2290-109	
4	Burner Assembly		2290-007	Y
5	Firebox Bracket	Qty 2 req	2290-123	
6	Glass Clip	Qty 2 req	2087-121	
7	Indoor Glass Assembly		GLA-6TROC	Y
8	Base Pan Assembly		2290-015	
9	Junction Box		SRV4021-013	Y
10	Junction Box Shield		2087-149	

#11 Valve Assembly



IMPORTANT: THIS IS DATED INFORMATION. Parts must be ordered from a dealer or distributor. **Hearth and Home Technologies does not sell directly to consumers.** Provide model number and serial number when requesting service parts from your dealer or distributor.



**Stocked
in Depot**

ITEM	DESCRIPTION	COMMENTS	PART NUMBER	Stocked in Depot
11.1	Pilot Assembly NG		SRV2090-012	Y
	Pilot Assembly LP		2090-013	Y
	Pilot Tube		SRV485-301	Y
11.2	12" Flex Tube Assembly		383-302A	Y
11.3	Valve Plate Gasket		2087-112	
11.4	Valve L Bracket		674-168	
11.5	Valve Bracket		2087-117	
11.6	Valve Assembly Bracket		2087-116	
11.7	Flex Ball Valve Assembly		SRV302-320	Y
11.8	ON/OFF Rocker Switch Assembly		060-521A	Y
11.9	Valve NG		SRV593-500	Y
	Valve LP		SRV593-501	Y
11.10	Wire Assembly		SRV593-590	Y
11.11	Control Module		SRV593-592	Y
11.12	Wall Switch Wire		SRV2118-170	Y
11.13	Battery Pack		SRV593-594	Y
11.14	Power Supply		SRV593-593	Y
11.15	Jumper Wire		2155-033	Y
11.16	3-Hole Grommet		SRV2118-420	
	Burner Orifice (NG) (#32C)		SRV582-832	Y
	Burner Orifice (LP) (#50C)		582-850	Y

Additional service part numbers appear on following page.

