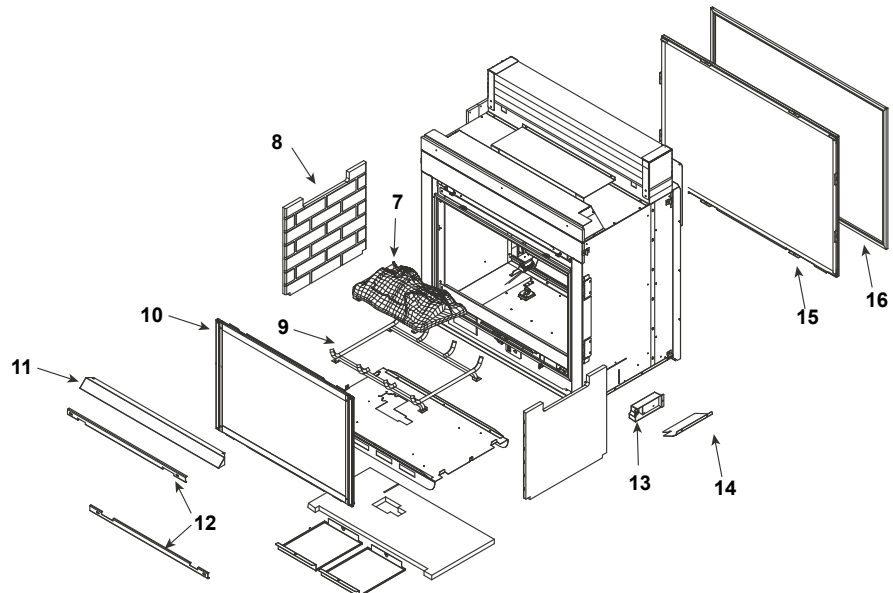
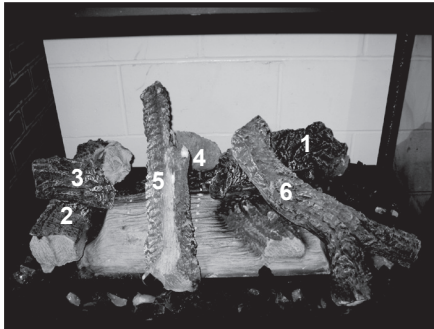


**Log Set Assembly**



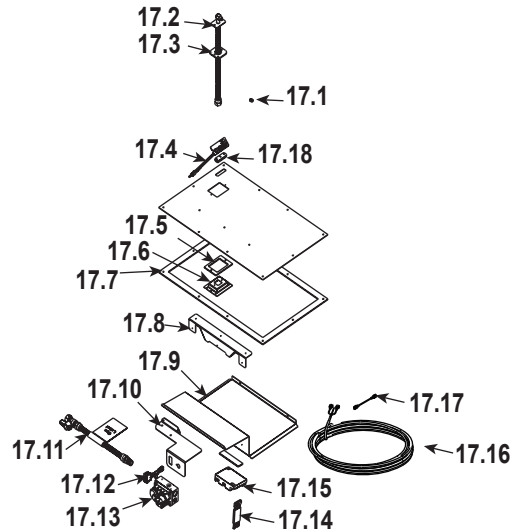
IMPORTANT: THIS IS DATED INFORMATION. Parts must be ordered from a dealer or distributor. **Hearth and Home Technologies does not sell directly to consumers.** Provide model number and serial number when requesting service parts from your dealer or distributor.



**Stocked in Depot**

ITEM	DESCRIPTION	COMMENTS	PART NUMBER	
	Log Assembly /Burner Assembly	Pre SN #0021355692	SRV2087-004	Y
	Log Set Assembly	Post SN # 0021355692	LOGS-MSR	Y
1	Log 1	<b>No longer available, Must order complete assembly</b>	SRV2005-701	
2	Log 2		SRV2005-700	
3	Log 3		SRV2005-702	
4	Log 4		SRV2005-703	
5	Log 5		SRV2005-704	
6	Log 6		SRV2005-705	
7	Log Set Assembly /Burner Assembly	Pre SN #0021355692	SRV2087-004	Y
	Burner Assembly	Post SN # 0021355692	SRV2668-008	
8	Refractory, Side	Qty 2 req	SRV2005-730	
9	Grate Assembly		SRV2005-012	
10	Indoor Glass Assembly		GLA-6TROC	Y
11	Hood - Interior Side		SRV60-143-BK	
12	Glass Clip		2087-121	
13	Junction Box		SRV4021-013	Y
14	Junction Box Shield		2087-149	
15	Outdoor Glass Assembly		GLA-OUTDOOR2	
16	Mesh Assembly	Pre 0023001898	TWI-II-MESH	Y
		Post 0023001898	MESH-TWI-EXT	Y

**#17 Valve Assembly**



**IMPORTANT: THIS IS DATED INFORMATION.** Parts must be ordered from a dealer or distributor. **Hearth and Home Technologies does not sell directly to consumers.** Provide model number and serial number when requesting service parts from your dealer or distributor.



**Stocked in Depot**

ITEM	DESCRIPTION	COMMENTS	PART NUMBER	
17.1	Burner Orifice (NG) (#32C)		SRV582-832	Y
	Burner Orifice (LP) (#50C)		582-850	Y
17.2	12" Flex Tube Assembly		383-302A	Y
17.3	Burner Neck Gasket		438-407	
17.4	Pilot Assembly NG		SRV2090-012	Y
	Pilot Assembly LP		2090-013	Y
	Pilot Tube		SRV485-301	Y
17.5	Orifice Bracket Gasket		2087-110	
17.6	Orifice Bracket		2087-109	
17.7	Valve Plate Gasket		2087-112	
17.8	Valve L Bracket		674-168	
17.9	Valve Bracket		2087-117	
17.10	Valve Bracket		2087-116	
17.11	Flex Ball Valve Assembly		SRV302-320	Y
17.12	ON/OFF Rocker Switch		060-521A	Y
17.13	Valve NG		SRV593-500	Y
	Valve LP		SRV593-501	Y
17.14	Wire Assembly		SRV593-590	Y
17.15	Control Module		SRV593-592	Y
17.16	Wall Switch Wire		SRV2118-170	Y
17.17	Jumper Wire		2155-033	Y
17.18	3-Hole Grommet		SRV2118-420	

Additional service part numbers appear on following page.

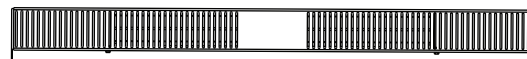
IMPORTANT: THIS IS DATED INFORMATION. Parts must be ordered from a dealer or distributor. **Hearth and Home Technologies does not sell directly to consumers.** Provide model number and serial number when requesting service parts from your dealer or distributor.



**Stocked  
in Depot**

ITEM	DESCRIPTION	COMMENTS	PART NUMBER	
	Battery Pack		SRV593-594	Y
	Power Supply		SRV593-593	Y
	Glass Latch Assembly	Pkg of 2	33858/2	Y
	Lava Rock Bag		2005-790	
	Mineral Wool		050-721	
	Non-Combustible Boards (set only)		2108-030	
	Touch Up Paint	Exterior	SRV2087-999-A12	
		Interior	TUP-GBK-12	
	Trim Kit, Black		TL-TRIM-BK	
	Cover Panel	<b>No longer available</b>	2086-149	
		All Others	2368-114	
	Deflector Panel		2086-136MBK	
	Flashing		2087-159	
	Hood-Exterior Side		2086-113MBK	
	Outdoor Surround		SRV2086-130MBK	
	Wind Screen Assembly			

**Wind Screen Assembly**



**2086-004MBK**



**2086-022**

**(No longer available)**

	Firescreen	Black	FS-TWI-BK	
	Mesh Assembly	Black	2368-030	
	Conversion Kit NG		NGK-TWI	Y
	Conversion Kit LP		LPK-TWI	Y
	Pilot Orifice NG		SRV593-528	Y
	Pilot Orifice LP		SRV593-527	Y
	Regulator NG		SRVNGK-DXF	Y
	Regulator LP		SRVLPK-DXF	Y