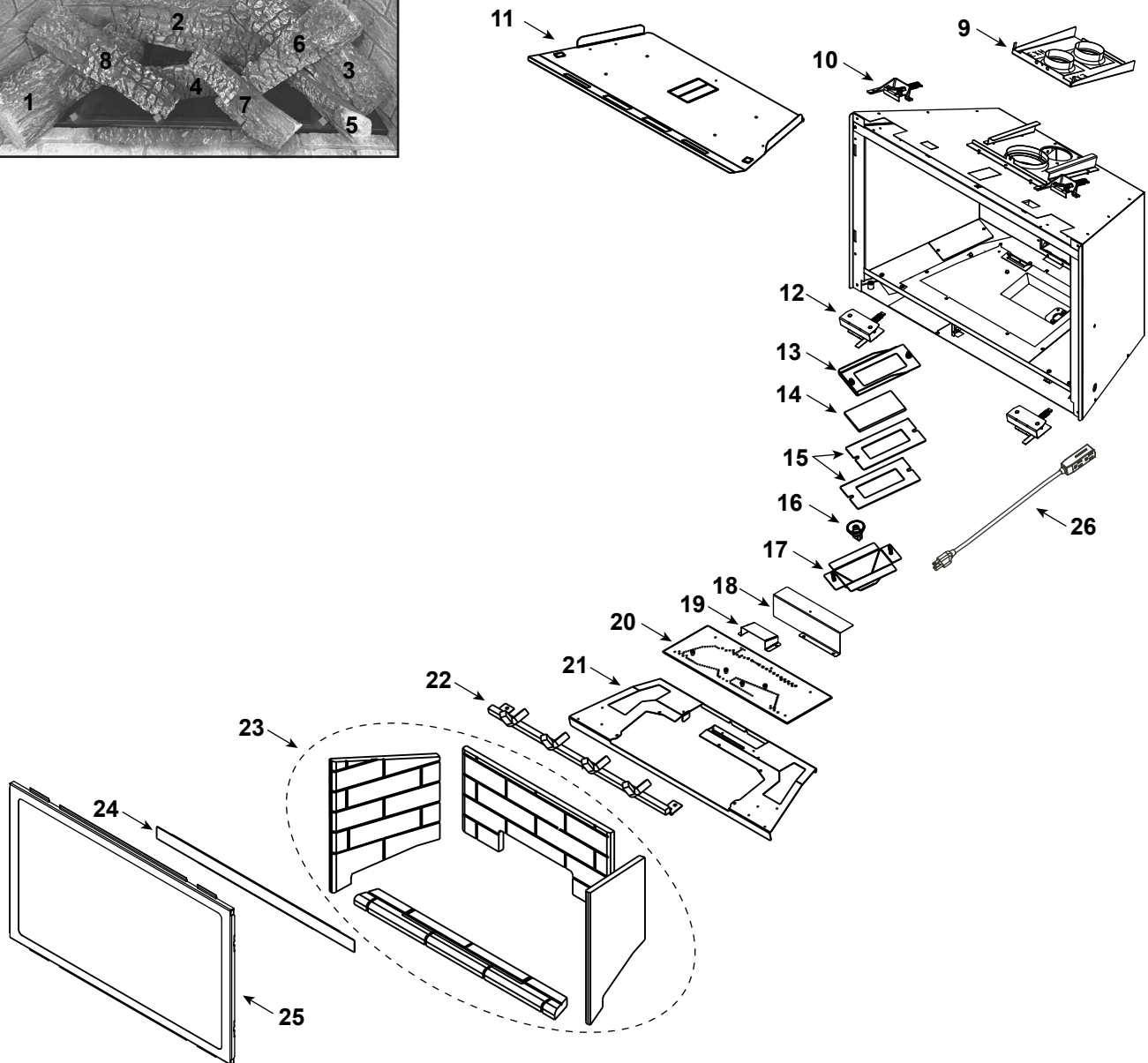
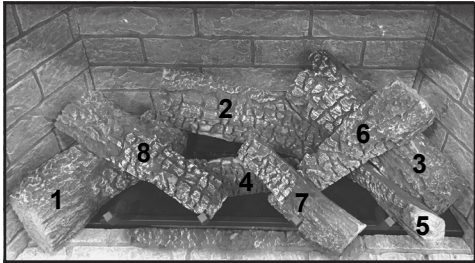




### Log Set Assembly



Part number list on following page.



## Service Parts

# TRILLIANT35IN

Beginning Manufacturing Date: Jun 2023

Ending Manufacturing Date: Active

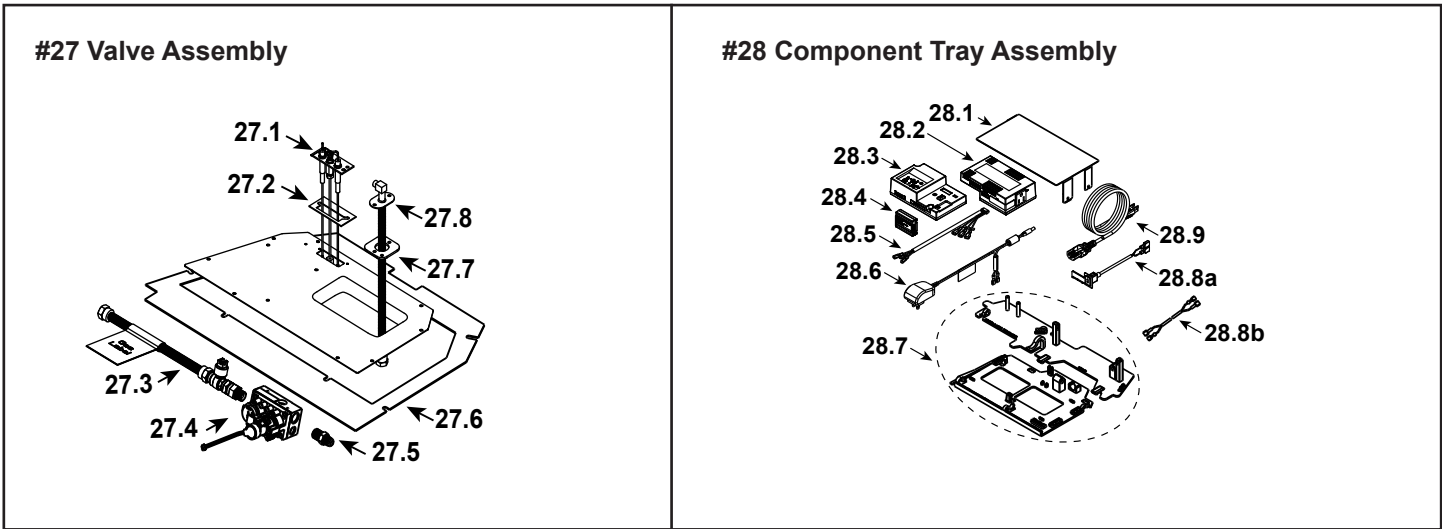
IMPORTANT: THIS IS DATED INFORMATION. Parts must be ordered from a dealer or distributor. **Hearth and Home Technologies does not sell directly to consumers.** Provide model number and serial number when requesting service parts from your dealer or distributor.



Stocked  
at Depot

| ITEM | DESCRIPTION                                   | COMMENTS  | PART NUMBER |   |
|------|---|-----------|-------------|---|
|      | Log Assembly (Hearth Refractory not Included) |           | LOGS-2539   | Y |
| 1    | Log 1   |           | SRV2539-711 |   |
| 2    | Log 2   |           | SRV2539-712 |   |
| 3    | Log 3   |           | SRV2539-713 |   |
| 4    | Log 4   |           | SRV2539-714 |   |
| 5    | Log 5   |           | SRV2538-715 |   |
| 6    | Log 6   |           | SRV2539-716 |   |
| 7    | Log 7   |           | SRV2538-717 |   |
| 8    | Log 8   |           | SRV2539-718 |   |
| 9    | Slide Plate Assembly                          |           | 2532-014    |   |
|      | Tool, Slide Plate (Multi-purpose)             |           | 2532-140    |   |
|      | Gasket  |           | 2532-113    |   |
| 10   | Glass Clip Assembly, Top                      | Qty 2 req | 2155-046    |   |
| 11   | Baffle, Firebox                               |           | 2533-138    |   |
| 12   | Glass Clip Assembly, Bottom                   | Qty 2 req | 2532-009    |   |
| 13   | Light Glass, Hold Down                        | Qty 2 req | 2532-149    |   |
| 14   | Accent Glass                                  | Qty 2 req | 2532-151    |   |
| 15   | Light Glass Gasket                            | Qty 4 req | 2532-150    |   |
| 16   | Halogen Reflector Lamp, 50W                   | Qty 2 req | 2201-150    | Y |
| 17   | Light Tub Assembly                            | Qty 2 req | 2532-006    |   |
|      | Light Wire Assembly                           |           | 2532-017    | Y |
| 18   | Air Scoop                                     |           | 2532-135    |   |
| 19   | Pilot Shield                                  |           | 2532-153    |   |
| 20   | Burner Assembly                               |           | 2539-007    | Y |
| 21   | Base Pan                                      |           | 2539-130    |   |
| 22   | Grate   |           | SRV2538-014 |   |
| 23   | Refractory Assembly                           |           | SRV2539-076 |   |
|      | Hearth, Refractory                            |           | SRV2539-703 |   |
| 24   | Seal, Glass Frame                             |           | 2533-122    |   |
| 25   | Glass Door Assembly                           |           | GLA-2533    | Y |
| 26   | Power Cord                                    |           | 2201-024    | Y |
|      | Fan   |           | GFK-160A    | Y |
|      |   |           |             |   |
|      |   |           |             |   |
|      |   |           |             |   |
|      |   |           |             |   |

Additional service part numbers appear on following page.



IMPORTANT: THIS IS DATED INFORMATION. Parts must be ordered from a dealer or distributor. **Hearth and Home Technologies does not sell directly to consumers.** Provide model number and serial number when requesting service parts from your dealer or distributor.



Stocked at Depot

| ITEM  | DESCRIPTION               | COMMENTS                          | PART NUMBER | Stocked at Depot |
|-------|---------------------------|-----------------------------------|-------------|------------------|
| 27.1  | Pilot Assembly NG         |                                   | 2550-013    | Y                |
|       | Pilot Assembly Propane    |                                   | 2550-014    | Y                |
| 27.2  | Pilot Gasket              |                                   | 2532-134    |                  |
| 27.3  | Flex Ball Valve Assembly  |                                   | 2532-081    | Y                |
| 27.4  | Valve NG                  |                                   | SRV2166-302 | Y                |
|       | Valve Propane             |                                   | 2166-303    | Y                |
| 27.5  | Male Connector            | Pkg of 5                          | 303-315/5   | Y                |
| 27.6  | Gasket, Valve Plate       |                                   | 2532-131    |                  |
| 27.7  | Gasket, Bulkhead          |                                   | 438-407     |                  |
| 27.8  | Bulkhead w/Flex Tube      |                                   | SRV7000-156 | Y                |
|       | Orifice NG (#33C)         |                                   | 582-833     | Y                |
|       | Orifice Propane (#50C)    |                                   | 582-850     | Y                |
| 28.1  | Component Heat Shield     |                                   | 2532-144    | Y                |
| 28.2  | Module, B Type AC         |                                   | SRV2326-150 | Y                |
| 28.3  | Module, IFT Control       |                                   | SRV2326-130 | Y                |
| 28.4  | Module, RF FCC            |                                   | SRV2326-120 | Y                |
| 28.5  | Harness, IFT 6 Pin Wiring |                                   | SRV2326-132 | Y                |
| 28.6  | 6 Volt DC Power Adapter   |                                   | 2326-191    | Y                |
| 28.7  | Tray, Component & Wire    |                                   | 2532-172    | Y                |
| 28.8a | Assembly, USB-C Bracket   | SN Range<br>LC5673022 - LC6494692 | 2532-301    | Y                |
| 28.8b | 40" Wire Harness          | Post LC6494692                    | SRV2531-140 | Y                |
| 28.9  | Cable, B Type AC Module   |                                   | SRV2326-152 | Y                |

Additional service part numbers appear on following page.

