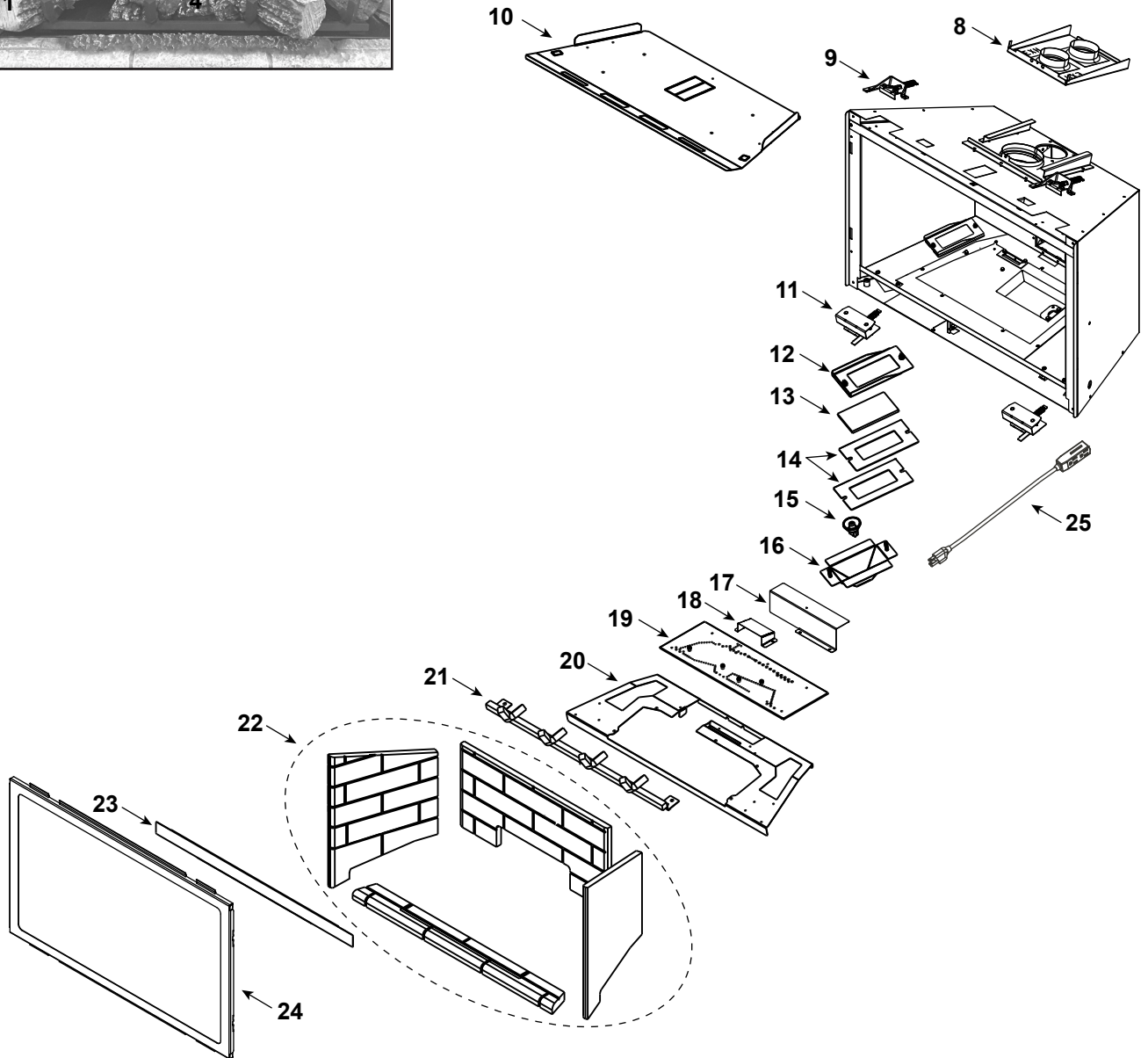
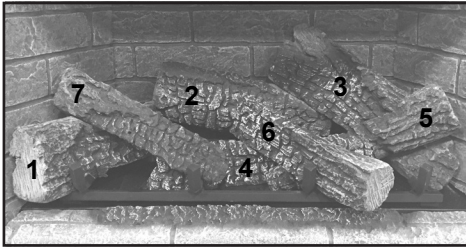




Log Set Assembly



Part number list on following page.



Service Parts

TRILLIANT30IN

Beginning Manufacturing Date: Jun 2023

Ending Manufacturing Date: Active

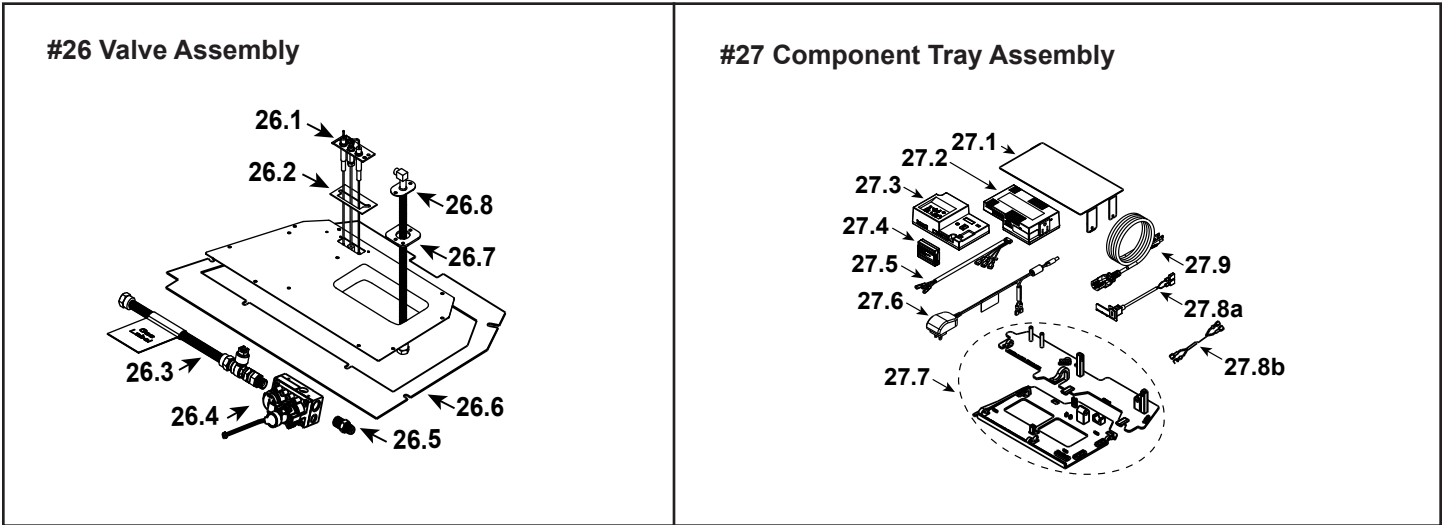
IMPORTANT: THIS IS DATED INFORMATION. Parts must be ordered from a dealer or distributor. **Hearth and Home Technologies does not sell directly to consumers.** Provide model number and serial number when requesting service parts from your dealer or distributor.



Stocked
at Depot

ITEM	DESCRIPTION	COMMENTS	PART NUMBER	
	Log Assembly (Hearth Refractory not Included)		LOGS-2538	Y
1	Log 1		SRV2538-711	
2	Log 2		SRV2538-712	
3	Log 3		SRV2538-713	
4	Log 4		SRV2538-714	
5	Log 5		SRV2538-716	
6	Log 6		SRV2538-717	
7	Log 7		SRV2538-715	
8	Slide Plate Assembly		2532-014	
	Tool, Slide Plate (Multi-purpose)		2532-140	
	Gasket		2532-113	
9	Glass Clip Assembly, Top	Qty 2 req	2155-046	
10	Baffle, Firebox		2532-138	
11	Glass Clip Assembly, Bottom	Qty 2 req	2532-009	
12	Light Glass, Hold Down	Qty 2 req	2532-149	
13	Accent Glass	Qty 2 req	2532-151	
14	Light Glass Gasket	Qty 4 req	2532-150	
15	Halogen Reflector Lamp, 50W	Qty 2 req	2201-150	Y
16	Light Tub Assembly	Qty 2 req	2532-006	
	Light Wire Assembly		2532-017	Y
17	Air Scoop		2532-135	
18	Pilot Shield		2532-153	
19	Burner Assembly		2538-007	Y
20	Base Pan		2538-130	
21	Grate		SRV2538-014	
22	Refractory Assembly		SRV2538-076	
	Hearth, Refractory		SRV2538-703	
23	Seal, Glass Frame		2532-122	
24	Glass Door Assembly		GLA-2532	Y
25	Power Cord		2201-024	Y
	Fan		GFK-160A	Y

Additional service part numbers appear on following page.



IMPORTANT: THIS IS DATED INFORMATION. Parts must be ordered from a dealer or distributor. **Hearth and Home Technologies does not sell directly to consumers.** Provide model number and serial number when requesting service parts from your dealer or distributor.



Stocked at Depot

ITEM	DESCRIPTION	COMMENTS	PART NUMBER	
26.1	Pilot Assembly NG		2550-013	Y
	Pilot Assembly Propane		2550-014	Y
26.2	Pilot Gasket		2532-134	
26.3	Flex Ball Valve Assembly		2532-081	Y
26.4	Valve NG		SRV2166-302	Y
	Valve Propane		2166-303	Y
26.5	Male Connector	Pkg of 5	303-315/5	Y
26.6	Gasket, Valve Plate		2532-131	
26.7	Gasket, Bulkhead		438-407	
26.8	Bulkhead w/Flex Tube		SRV7000-156	Y
	Orifice NG (#35C)		SRV582-835	Y
	Orifice Propane (#51C)		SRV582-851	Y
27.1	Component Heat Shield		2532-144	Y
27.2	Module, B Type AC		SRV2326-150	Y
27.3	Module, IFT Control		SRV2326-130	Y
27.4	Module, RF FCC		SRV2326-120	Y
27.5	Harness, IFT 6 Pin Wiring		SRV2326-132	Y
27.6	6 Volt DC Power Adapter		2326-191	Y
27.7	Tray, Component & Wire		2532-172	Y
27.8a	Assembly, USB-C Bracket	SN Range LC5673022 - LC6494692	2532-301	Y
27.8b	40" Wire Harness	Post LC6494692	SRV2531-140	Y
27.9	Cable, B Type AC Module		SRV2326-152	Y

Additional service part numbers appear on following page.



Service Parts

TRILLIANT30IN

Beginning Manufacturing Date: Jun 2023

Ending Manufacturing Date: Active

IMPORTANT: THIS IS DATED INFORMATION. Parts must be ordered from a dealer or distributor. **Hearth and Home Technologies does not sell directly to consumers.** Provide model number and serial number when requesting service parts from your dealer or distributor.



Stocked at Depot

Table with columns: ITEM, DESCRIPTION, COMMENTS, PART NUMBER, Stocked at Depot. Includes items like Battery Pack, Bolt, Level Leg, Ember Rocks, Fan Dampener, Back Cover Plate (Fan Access), Mineral Wool, RC400 Remote, Screw, Bottom Glass Clip, Touch up Paint, Vermiculite Embers, and Conversion Kits.

**Fuse for battery pack can be sourced locally, not a warranty item. Specs are 250v, 3A fuse, 3/4" long