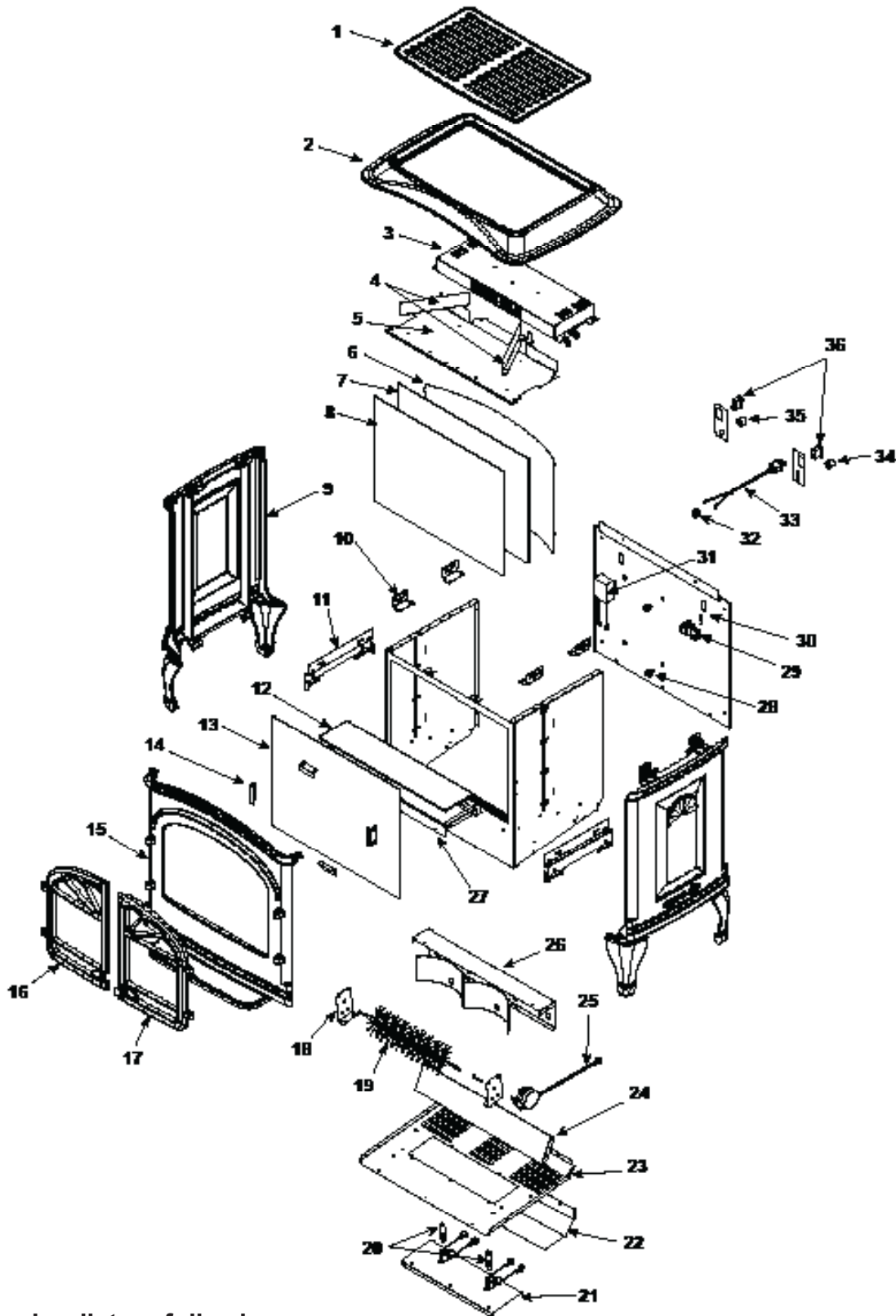


### TiaraE-AL, TiaraE-BK, TiaraE-BR, TiaraE-GR



Part number list on following page.

No one builds a better fire

Beginning Manufacturing Date: Feb 2003

Ending Manufacturing Date: Oct 2005

IMPORTANT: THIS IS DATED INFORMATION. When requesting service or replacement parts for your appliance please provide model number and serial number. All parts listed in this manual may be ordered from an authorized dealer.



**Stocked at Depot**

ITEM	DESCRIPTION	COMMENTS	PART NUMBER	
	Log Assembly	No Longer Available	4035-103	
1	Grille Casting		RV-Grille-T1	
2	Top Casting	No Longer Available	7010-109PAL	
		Black	7010-109BK	
		Brown	7010-109PBR	
		No Longer Available	7010-109PGR	
3	Heater Assembly	No Longer Available	4035-102	
4	Air Channel	No Longer Available	4035-044	
5	Box Top	No Longer Available	4035-034	
6	Flame Panel	No Longer Available	4035-035	
7	Lens	No Longer Available	4035-816	
8	Back Glass	No Longer Available	4035-805	
9	Side Casting (Left or Right)	No Longer Available	7010-110PAL	
		Black	7010-110BK	
		Brown	7010-110PBR	
		No Longer Available	7010-110PGR	
10	Upper Casting Support	No Longer Available	4035-020	
11	Lower Casting Support	No Longer Available	4035-019	
12	Ember Bed	No Longer Available	4035-806	
13	Front Glass	No Longer Available	4035-819	
14	Retainer	No Longer Available	4035-311	
15	Front Casting	No Longer Available	7010-111PAL	
		Black	7010-111BK	
		Brown	7010-111PBR	
		No Longer Available	7010-111PGR	
16	Left Door Casting	No Longer Available	7010-113PAL	
		Black	7010-113BK	
		Brown	7010-113PBR	
		No Longer Available	7010-113PGR	
17	Right Door Casting	No Longer Available	7010-112PAL	
		Black	7010-112BK	
		Brown	7010-112PBR	
		No Longer Available	7010-112PGR	
18	Element Bracket	No Longer Available	4035-038	
19	Flame Element Kit	No Longer Available	4030-200	
20	Halogen Bulb	No Longer Available	33961	

Additional service parts on following page.

\*Contact your local distributor/dealer to order Casting parts.



No one builds a better fire

Beginning Manufacturing Date: Feb 2003
Ending Manufacturing Date: Oct 2005

IMPORTANT: THIS IS DATED INFORMATION. When requesting service or replacement parts for your appliance please provide model number and serial number. All parts listed in this manual may be ordered from an authorized dealer.



Stocked at Depot

Table with 5 columns: ITEM, DESCRIPTION, COMMENTS, PART NUMBER, Stocked at Depot. Rows 21-36 contain parts such as Socket Assembly, Outer Bottom Light Shield, Box Bottom, etc. with status 'No Longer Available'. Rows 35-36 show parts with 'Y' in the Stocked at Depot column.