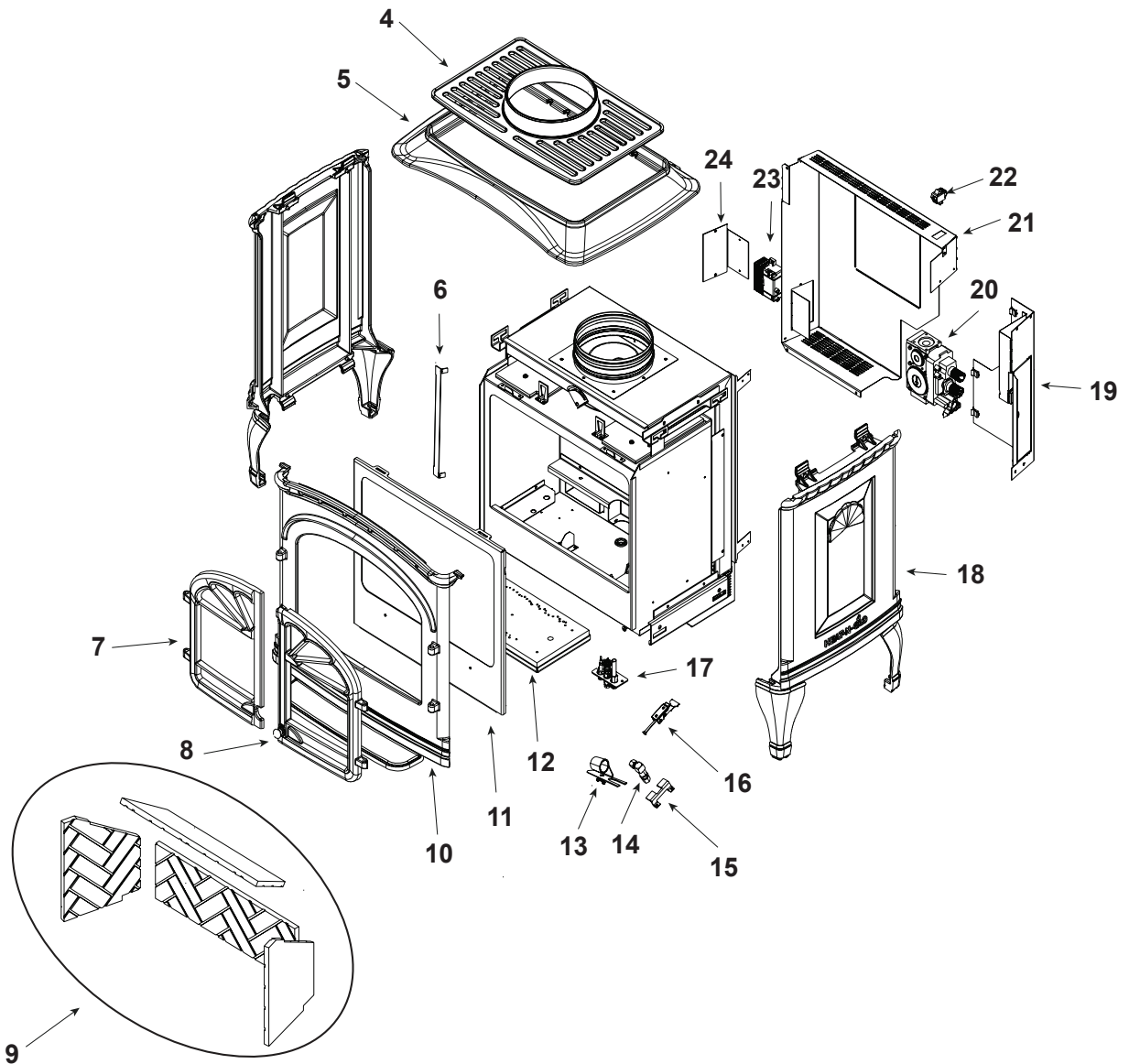
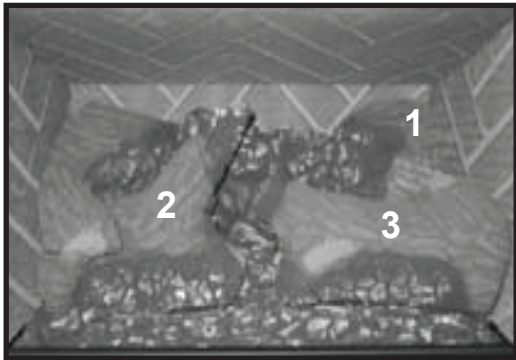


Log Set Assembly



Part number list on following page.

No one builds a better fire

Beginning Manufacturing Date: Aug 2005

Ending Manufacturing Date: June 2007

IMPORTANT: THIS IS DATED INFORMATION. Parts must be ordered from a dealer or distributor. **Hearth and Home Technologies does not sell directly to consumers.** Provide model number and serial number when requesting service parts from your dealer or distributor.



**Stocked
at Depot**

ITEM	DESCRIPTION	COMMENTS:	PART NUMBER	
	Log Set Assembly		LOGS-T2	Y
1	Log #1	Left Front	SRV7011-146	
2	Log #2	Rear	SRV7011-147	
3	Log #3	Right Front	SRV7011-145	
4	Grille, Top Vent		7011-109	
5	Top, Cast	No longer available	7011-105PAL	
6	Brick Retainer		SRV479-0190	
7	Door, LH	No longer available	7011-131PAL	
8	Door, RH	No longer available	7011-130PAL	
9	Brick Set		BRICK-T2	
10	Front, Cast	No longer available	7011-107PAL	
11	Door Assembly w/Glass		7011-003	
	Glass Assembly		7011-015	Y
12	Burner Assembly		7011-007	Y
13	Air Shutter Assembly		SRV468-5060	Y
14	Bulkhead		26457	Y
15	Bulkhead Stop		SRV474-0090	
16	Latch, Draw		229-0640	Y
17	NG Pilot Assembly w/Propane Orifice		842-4940	Y
18	Side, Cast	No longer available	7011-106PAL	
19	Valve Access Assembly		464-5060	
	Latch, Magnet		229-0631	
20	Valve, Gas, LP, S.I.T.		SRV230-0720	Y
	Valve, Gas, NG, S.I.T.		SRV230-0710	Y
21	Back Shield		7011-124	
22	Switch, Rocker, ON/OFF		SRV32D0232	Y
23	Ignition Module		230-1880	Y
24	Ignition Access Cover		464-0300	
	Adapter, DV, 4 in		200-2470	
	Adapter, DV, 6-5/8 in		7000-162	
	Air Deflector		7011-139	
	AVK Repair Kit		RIVNUT-REPAIR	Y
	Blower Bracket		7010-146	
	Blower Housing		7010-145	
	Burner Neck Support Assembly	No longer available	7011-008	
		Post 007879357	7011-016	Y
	Gasket, Burner		7011-142	

Additional service part numbers appear on following page.



No one builds a better fire

Beginning Manufacturing Date: Aug 2005
Ending Manufacturing Date: June 2007

IMPORTANT: THIS IS DATED INFORMATION. Parts must be ordered from a dealer or distributor. **Hearth and Home Technologies does not sell directly to consumers.** Provide model number and serial number when requesting service parts from your dealer or distributor.



Stocked at Depot

ITEM	DESCRIPTION	COMMENTS:	PART NUMBER	Stocked at Depot
	Burner Pan, Left Side		7011-128	
	Burner Pan, Rear Assembly		7011-017	
	Burner Pan, Right Side		7011-127	
	Cast Mounting Bracket, Bottom		7010-124	
	Cast Mounting Bracket, Top		7010-138	
	Component Pack Assembly	No longer available	7010-021	
(Includes; ON/OFF Valve; Level Assembly; Fasteners; Owner's Manual; Touch-Up paint and Platinum Bright Embers)				
	Cover Plate		SRV7010-159	
	Damper Plate		468-0360	
	Elbow, .375 ML flare x .375		4021-045	
	Fan Kit		GFK-160A	
	Knob, Rheostat		SRV100-512	Y
	Rheostat Assembly		SRV100-510A	Y
	Temp Sensor (Limit) w/Bracket		107-531	Y
	Flex Line, 3/8 COMP. x 30 in		200-2940	Y
	Flex Line 3/8 Flare x 22I		7000-197	Y
	Gasket, Cover Plate		7010-160	
	Gasket, Elbow		460-0610	
	Gasket, Flue Collar		455-0660	
	Hinge Pin, Gold, Button head	Pkg of 2	844-5750	Y
	Ignition Control		230-1900	Y
	Junction Box	No longer available	040-250A	
	Knob, Brass		200-2390	
	Leveling Assembly		SRV7000-000	
	Magnet, Round		SRV7000-140	Y
	Mineral Wool		050-721	
	ON/OFF Valve		SRV15697	Y
	Orifice, LP, .073		24220	Y
	Orifice, NG, .120		18677	Y
	Relief Door Assembly		7011-011	
	Touch-Up Paint	No longer available	TOUCHUP-CCR	
	Valve Bracket		7008-112	
	Warming Shelf Support	No Longer Available	7010-129PAL	
	Wire Harness		7010-156	
	Conversion Kit NG		NGK-T2	Y
	Conversion Kit LP		LPK-T2	Y
	Pilot Orifice NG		842-4440	Y
	Pilot Orifice LP		SRV200-2630	Y
	Regulator NG		SRV230-1570	Y
	Regulator LP		SRV230-1520	Y