

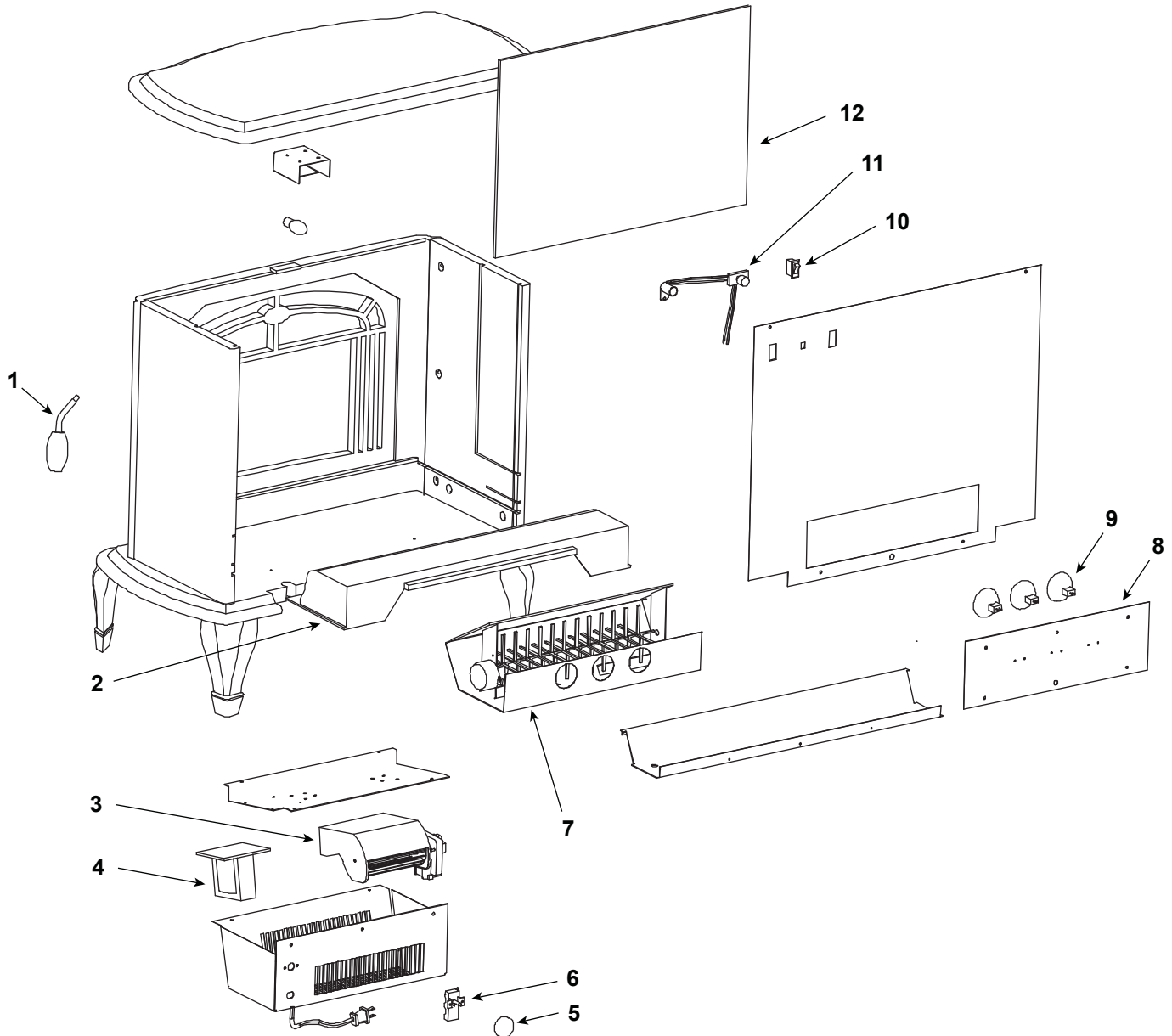
No one builds a better fire

Electric Stove

Beginning Manufacturing Date: July 1999  
Ending Manufacturing Date: Sept. 2002

STOVE-ELEC-BLK (Black), STOVE-ELEC-AL (Almond), STOVE-ELEC-GR (Green)

For replacement parts, please contact Dimplex at  
1-800-668-6663 (Customer Service) or  
1-888-346-7539 (Tech support)



Part number list on following page.



No one builds a better fire

Beginning Manufacturing Date: July 1999  
Ending Manufacturing Date: Sept. 2002

IMPORTANT: THIS IS DATED INFORMATION. When requesting service or replacement parts for your appliance please provide model number and serial number. All parts listed in this manual may be ordered from an authorized dealer.

ITEM	DESCRIPTION	COMMENTS	PART NUMBER
1	Handle		6900520100RP
2	Log Set		0438200100RP
3	Heater / Blower Assembly		6902430100RP
4	Transformer		2100160100RP
5	Thermostat Knob		8800000300RP
6	Thermostat		2300150100RP
7	Reflector Motor		2000140300RP
8	Light Panel		6900510100RP
9	Spot Lamps	No longer available	4200060200RP
10	Rocker Switch		2800070200RP
11	Upper Light Harness		2500120100RP
12	Inner Mirror	No longer available	5900060600RP
	Order part number 5900060400RP from the vendor		
	Casting - <b>Left Side</b>	Almond	1103270181RP
		Black	1103270104RP
		Green	1103270180RP
	Casting - <b>Right Side</b>	Almond	1103270281RP
		Black	1103270204RP
		Green	1103270280RP
	Flame Speed Control		3000180300RP
	Glass, Front		5900110200RP
	Grill, Top Extended		1004230159RP
	Heater Assembly		2200290400RP
	Light Dimmer		2800020100RP
	Light Harness, Lower		2500110100RP
	Reflector Rod and Springs		5900080600RP
	Note: Replacement bulbs to be supplied by homeowner. These light bulbs can be ordered by going to the website <a href="http://www.lite-house.com">www.lite-house.com</a> , or by calling 1-800-838-0977.		