

Gas Stove - DV

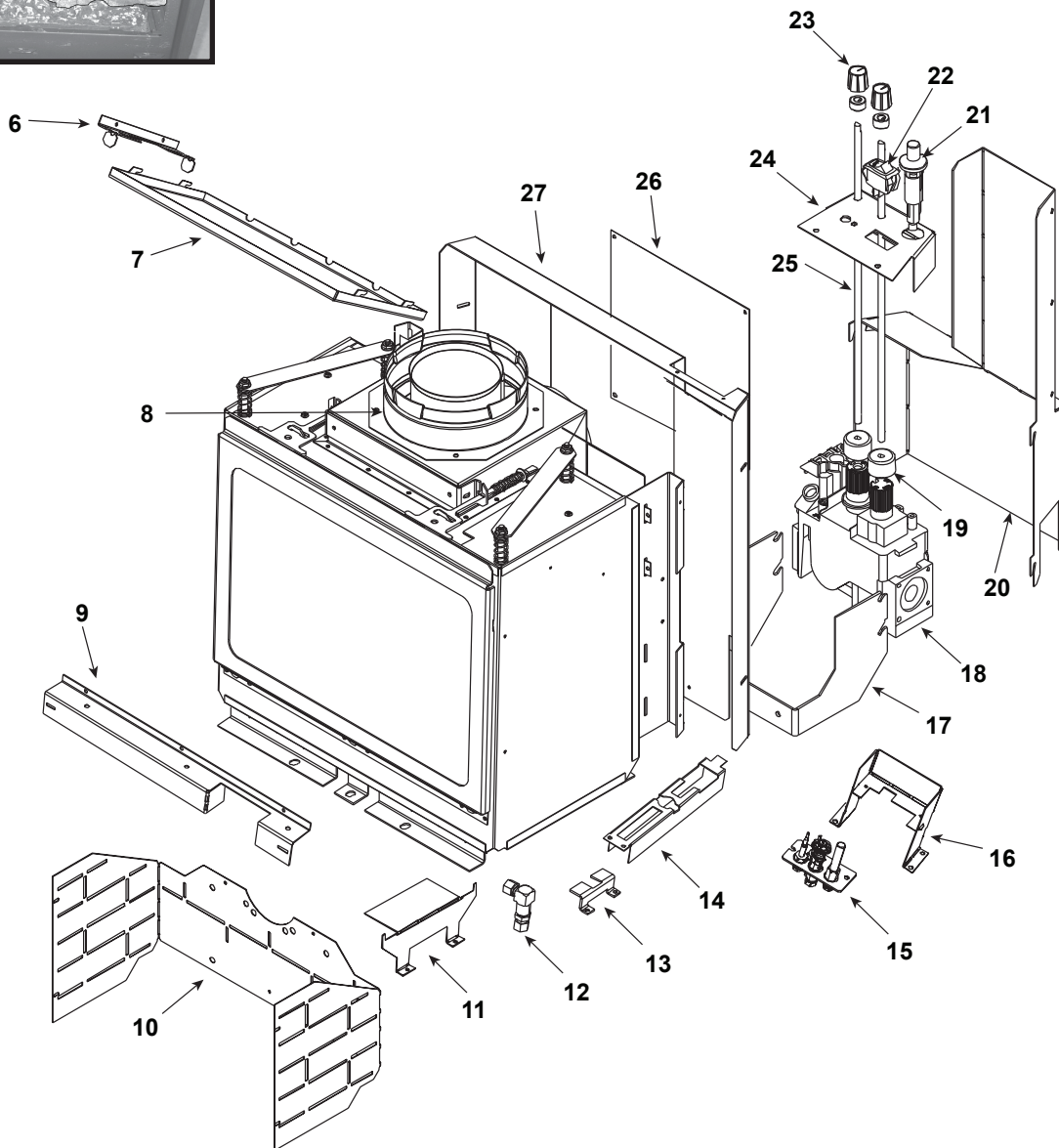
Beginning Manufacturing Date: April 2002
Ending Manufacturing Date: June 2010

| | | | |
|-----------------|-----------|----------|-------------|
| Matte Black | Solitaire | 839-1390 | 4/02 - 2/11 |
| | Quartet | 839-1460 | 4/02 - 8/05 |
| Porcelain Creme | Solitaire | 839-1400 | 5/02 - 5/04 |
| | Quartet | 839-1470 | 5/02 - 8/04 |
| Porcelain Green | Solitaire | 839-1410 | 4/02 - 3/04 |
| | Quartet | 839-1480 | 4/02 - 6/04 |

| | | | |
|------------------------|-----------|-------------|-------------|
| Porcelain Mahogany | Solitaire | 839-1420 | 5/02 - 8/04 |
| | Quartet | 839-1440 | 4/02 - 2/11 |
| Porcelain Midnite Blue | Solitaire | 839-1430 | 4/02 - 4/03 |
| | | 839-1431 | 7/03 - 6/04 |
| | Quartet | 839-1450 | 4/02 - 4/03 |
| | | 839-1451 | 5/03 - 6/05 |
| Powder Coat Creme | Quartet | SAPPH-D-CCR | 9/05 - 5/06 |

| | | | |
|---------------------------|---------|-------------|-------------|
| Powder Coat Linden Green | Quartet | SAPPH-D-CLG | 6/04 - 5/06 |
| Powder Coat Sienna Bronze | Quartet | SAPPH-D-CSB | 3/07 - 2/10 |
| Powder Coat Willow | Quartet | SAPPH-D-CWL | 3/07 - 2/10 |

Log Set Assembly



Part number list on following page.

Beginning Manufacturing Date: April 2002
Ending Manufacturing Date: June 2010

IMPORTANT: THIS IS DATED INFORMATION. Parts must be ordered from a dealer or distributor. **Hearth and Home Technologies does not sell directly to consumers.** Provide model number and serial number when requesting service parts from your dealer or distributor.



**Stocked
at Depot**

| ITEM | DESCRIPTION | COMMENTS | PART NUMBER | |
|------|---|---------------------|-------------|---|
| | Log Set | | 844-9270 | Y |
| 1 | Log Front Right | No Longer Available | 455-0840 | |
| 2 | Log Front Left | No Longer Available | 455-0850 | |
| 3 | Log Top Right | No Longer Available | 455-0860 | |
| 4 | Log Top Left | No Longer Available | 455-0870 | |
| 5 | Log Rear | No Longer Available | 455-0880 | |
| | Log Pin Ceramic (Pkg of 12) | 1/4" x 1" | 7000-465/12 | Y |
| | | 1/4" x 1-1/2" | 7000-466/12 | Y |
| 6 | Hanger, Baffle | No Longer Available | 455-0300 | |
| 7 | Baffle | No Longer Available | 455-0290 | |
| 8 | Dv Adapter | | SRV7010-172 | |
| 9 | Support, Log, Rear | No Longer Available | 455-0520 | |
| 10 | Refractory (Metal) | No Longer Available | 455-0510 | |
| 11 | Burner Support | No Longer Available | 455-0420 | |
| 12 | Bulkhead | | 26457 | Y |
| 13 | Bulkhead Stop | | SRV474-0090 | |
| 14 | Burner Pan Side | No Longer Available | 455-0530 | |
| 15 | Pilot Assembly - NG, Ez (Includes LP orifice) | | 842-4280 | Y |
| | Thermocouple | | 200-2950 | Y |
| | Thermopile/Generator, Millivolt | | 842-0250 | Y |
| 16 | Bracket, Pilot | No Longer Available | 474-0100 | |
| 17 | Valve Bracket | No Longer Available | 455-0190 | |
| 18 | Valve Replacement, Sit - NG | | 842-0240 | Y |
| | Valve Replacement, Sit - LP | | 842-0230 | Y |
| 19 | Adapter, Valve Extension | | 450-6330 | |
| 20 | Cover, Valve | No Longer Available | 455-0310 | |
| 21 | Piezo Ignitor - Black Knob | | 291-513 | Y |
| 22 | Switch, Rocker | | SRV32D0232 | Y |
| 23 | Knob, Rheostat (Black) | | SRV100-512 | Y |
| 24 | Switch Plate | No Longer Available | 455-0550 | |
| 25 | Rod, Control | | 455-0340 | |
| 26 | Plate, Back Shield Cover | No Longer Available | 455-0220 | |
| 27 | Back Shield | No Longer Available | 455-0200 | |
| | Ashcatcher, Quartet | No Longer Available | 454-0070MBK | |
| | | No Longer Available | 454-0070PMH | |
| | | No Longer Available | 454-0070CSB | |
| | | No Longer Available | 454-0070CWL | |

Additional service part numbers appear on following page.

Beginning Manufacturing Date: April 2002
Ending Manufacturing Date: June 2010

IMPORTANT: THIS IS DATED INFORMATION. Parts must be ordered from a dealer or distributor. **Hearth and Home Technologies does not sell directly to consumers.** Provide model number and serial number when requesting service parts from your dealer or distributor.



**Stocked
at Depot**

| ITEM | DESCRIPTION | COMMENTS | PART NUMBER | |
|------|---|----------------------------|-------------|---|
| | Brass Elbow | | SRV17524 | |
| | Burner Assembly | No Longer Available | 844-9280 | |
| | | Post 007777106 | SRV455-5320 | Y |
| | Burner Deflector | No Longer Available | 455-0540 | |
| | Burner Stop | Post 007777106 | 7010-152 | |
| | Button Head 1/4-20 X .5 | | 32328/20 | Y |
| | Collar, Set, 1/4 | | 229-0750 | |
| | Component Pack Assembly (Includes On/Off Valve; LP Orifice, .063; Mineral Wool; LP Pilot Injector, Ez, LP, 35; LP Conversion Label; Owners Manual; Warranty Card; Touch-Up Paint & Fasteners) | No Longer Available | 455-5130 | |
| | | No Longer Available | 455-5300 | |
| | | No Longer Available | 455-5340 | |
| | | No Longer Available | 455-5350 | |
| | Injector, Pilot, Ez, 35 - LP | | SRV200-2630 | Y |
| | Mineral Wool, Bag | No Longer Available | 200-2550 | |
| | On/Off Valve | | SRV15697 | Y |
| | Paint Touch-Up, 4 oz | Black | 812-0910 | |
| | | Mahogany | 1-00-0014 | Y |
| | | Sienna Bronze | TOUCHUP-CSB | |
| | | No Longer Available | TOUCHUP-CWL | |
| | Cover Plate | No Longer Available | 455-0720 | |
| | Damper Handle | No Longer Available | 455-0250 | |
| | Door Retainer | No Longer Available | 455-0560 | |
| | Elbow, 3/8 Flare X 3/8 Npt | | SRV4021-045 | Y |
| | Electrode, SIT, Ez, Flush | | 842-4580 | Y |
| | Exhaust Cover Plate | No Longer Available | 455-0730 | |
| | Face Assembly, Solitaire | No Longer Available | 455-5160MBK | |
| | Face, Quartet | Black | 454-5010MBK | |
| | | Mahogany | 454-5010PMH | |
| | | Sienna Bronze | 454-5010CSB | |
| | | Willow | 454-5010CWL | |
| | Flex Line 3/8 Flare X 22L | Non-Threaded Style | 7000-197 | Y |
| | Flue Collar Assembly | No Longer Available | 455-5120 | |
| | Gasket Flue Collar | | 455-0660 | |
| | Gasket, Cover Plate | | 7010-160 | |
| | Gasket, Elbow | | 460-0610 | |
| | Gasket, Lytherm, 1/2 X 1/8 | Qty: 4.17 Ft | 834-2590 | |
| | Grill Cover | No Longer Available | 455-0390 | |

Additional service part numbers appear on following page.

Beginning Manufacturing Date: April 2002
Ending Manufacturing Date: June 2010

IMPORTANT: THIS IS DATED INFORMATION. Parts must be ordered from a dealer or distributor. **Hearth and Home Technologies does not sell directly to consumers.** Provide model number and serial number when requesting service parts from your dealer or distributor.



**Stocked
at Depot**

| ITEM | DESCRIPTION | COMMENTS | PART NUMBER | |
|------------------------|--|---------------------|-------------|---|
| | Grille, Top Vent | Black | 455-0370MBK | |
| | | Mahogany | 455-0370PMH | |
| | | Sienna Bronze | 455-0370CSB | |
| | | No Longer Available | 455-0370CWL | |
| | Hinge Bar, Quartet | No Longer Available | 454-0060MBK | |
| | | No Longer Available | 454-0060PMH | |
| | | No Longer Available | 454-0060CSB | |
| | | No Longer Available | 454-0060CWL | |
| | Hinge Pin - Gold, Button Head Rivet, M6 x 35 | | 844-5750 | Y |
| | Leg | | 26404MBK | |
| | | | 26404PMH | |
| | | No Longer Available | 26404CSB | |
| | | No Longer Available | 26404CWL | |
| | Line, Gas, T6-18 | | 567-300 | |
| | Orifice (.106) - NG | | 19837 | Y |
| | Orifice (.063) - LP | | SRV17236 | Y |
| | Pilot Hood (Only) | 3-Flame Hood | 200-3000 | Y |
| | Plate Outer Flue Cover | No Longer Available | 455-0130 | |
| | Relief Door Assembly | No Longer Available | 455-5190 | |
| | | No Longer Available | 455-5200 | |
| | Gasket Cover, Top | No Longer Available | 30705 | |
| | Screw, Pan Head Phillips 8-32 X 3/4 | | 229-1100/24 | Y |
| | Shutter Assembly | | SRV468-5060 | Y |
| | Side | No Longer Available | 455-0440MBK | |
| | | No Longer Available | 455-0440PMH | |
| | | No Longer Available | 455-0440CSB | |
| | | No Longer Available | 455-0440CWL | |
| | Top | No Longer Available | 455-0350MBK | |
| | | No Longer Available | 455-0350PMH | |
| | | No Longer Available | 455-0350CSB | |
| | | No Longer Available | 455-0350CWL | |
| | Wire Harness | | 7010-156 | |
| CONVERSION KITS | | | | |
| | Conversion Kit - NG | No Longer Available | 843-2540 | |
| | Conversion Kit - LP | No Longer Available | 844-9730 | |
| | Injector, Pilot, Ez, 35 - LP | | SRV200-2630 | Y |
| | Regulator, Conversion, SIT - NG | | SRV230-1570 | Y |
| | Regulator, Conversion, SIT - LP | | SRV230-1520 | Y |
| | Orifice, Pilot, Ez, 62 - NG | | 842-4440 | Y |

Additional service part numbers appear on following page.

Beginning Manufacturing Date: April 2002
Ending Manufacturing Date: June 2010

IMPORTANT: THIS IS DATED INFORMATION. Parts must be ordered from a dealer or distributor. **Hearth and Home Technologies does not sell directly to consumers.** Provide model number and serial number when requesting service parts from your dealer or distributor.

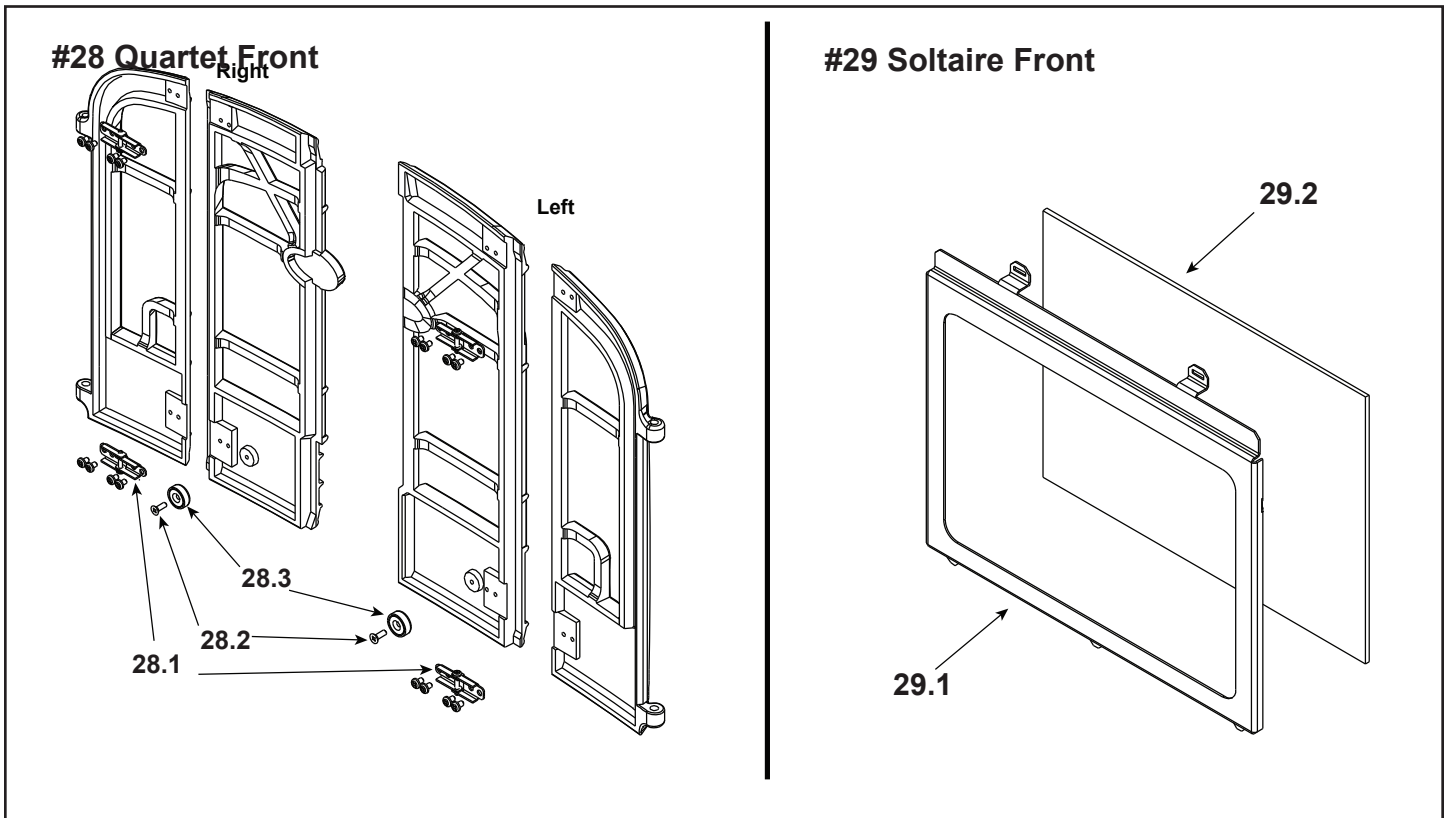


**Stocked
at Depot**

| ITEM | DESCRIPTION | COMMENTS | PART NUMBER | |
|--------------------|--|---------------------|----------------|---|
| ACCESSORIES | | | | |
| | Blower Universal Gas | | BK-GAS | |
| | Power Cord | | 832-2410 | Y |
| | Blower Housing | | 7016-138 | |
| | Blower, Convection | | 812-4900 | Y |
| | Bracket, Thermostat | | 455-7230 | |
| | Blower Bracket | No Longer Available | SRV455-0090 | |
| | Component Pack Assembly | No Longer Available | 7016-016 | |
| | Snap Disc | | SRV230-0960 | Y |
| | Speed Control Only (Rheostat) | | 842-0370 | Y |
| | Wire Harness | No Longer Available | 455-7240 | |
| | Bracket w/Mitten Rod, Wsb1-2 | No Longer Available | 844-7950 | |
| | | No Longer Available | 844-7960 | |
| | Grill, Rear Vent | Black | 844-8870 | |
| | | Mahogany | 844-9760 | |
| | | No Longer Available | RV-SA-CSB | |
| | | No Longer Available | RV-SA-CWL | |
| | Back Shield Collar Plate | No Longer Available | 455-7080 | |
| | Orifice, NG, (.096) | Rear Vent, NG | 13844 | Y |
| | Orifice, LP, (.059) | Rear Vent, LP | SRV13445 | Y |
| | Smart-Batt II | No Longer Available | SMARTBATT-B | |
| | Smart-Stat II | | SMART-STAT-HHT | |
| | Thermostat, Mechanical | | 812-3760 | |
| | Thermostat, Programmable | | PROG-STAT | |
| | Warming Shelves, Ws1-2 | No Longer Available | 844-7850 | |
| | | No Longer Available | 844-9740 | |
| | | No Longer Available | WS-SA-CSB | |
| | | No Longer Available | WS-SA-CWL | |
| FASTENERS | | | | |
| | Avk Rivnut Repair Kit - 1/4-20 & 3/8-16 Rivnut Tools | | RIVNUT-REPAIR | Y |
| | Nut, Jam, 5/16-18 | | SRV29635 | |
| | Nut, Ser Flange Small 1/4-20 | Pkg of 24 | 226-0130/24 | Y |
| | Screw, Machine Screw 1/4-20 X 5/8 | Pkg of 24 | 220-0440/24 | |
| | Screw, Pan Head Philips, 10/32 X 1/4 | Pkg of 24 | 229-1230/24 | Y |
| | Screw, Sheet Metal #8 X 1/2 S-Grip | Pkg of 40 | 12460/40 | Y |
| | Speed Nut 5/16 | Pkg of 100 | 3-31-94807-100 | Y |

Additional service part numbers appear on following page.

Beginning Manufacturing Date: April 2002
Ending Manufacturing Date: June 2010



IMPORTANT: THIS IS DATED INFORMATION. Parts must be ordered from a dealer or distributor. **Hearth and Home Technologies does not sell directly to consumers.** Provide model number and serial number when requesting service parts from your dealer or distributor.



Stocked at Depot

| ITEM | DESCRIPTION | COMMENTS | PART NUMBER | |
|---------------------|---------------------------------------|---------------------|-------------|---|
| 28 | Door Assembly - Quartet | No Longer Available | 454-5010 | |
| | | No Longer Available | 454-5020 | |
| | Door Assembly - Quartet, Right | No Longer Available | 454-5010MBK | |
| | | No Longer Available | 454-5010PMH | |
| | | No Longer Available | 454-5010CSB | |
| | | No Longer Available | 454-5010CWL | |
| | Door Assembly - Quartet, Left | No Longer Available | 454-5020MBK | |
| | | No Longer Available | 454-5020PMH | |
| No Longer Available | | 454-5020CSB | | |
| No Longer Available | | 454-5020CWL | | |
| 28.1 | Hinge Assembly | | 454-5030 | |
| 28.2 | Screw, Flat Head Philips 8-32 x 1/2 | Pkg of 10 | 832-0860 | |
| | Firescreen, Quartet | No Longer Available | 844-9000 | |
| 28.3 | Magnet, Round | | SRV7000-140 | |
| 29.1 | Door Assembly - Solitaire | No Longer Available | 455-5180 | |
| 29.2 | Glass Assembly | 17.19 W x 12.32 H | 7010-017 | Y |
| | Glass Gasket - Field Cut to Size | Qty: 10 Ft | 844-3010 | Y |
| | Tape, Door Corner - Field Cut to Size | Qty: 1 Ft | SRV7027-227 | |
| | Trim Kit Door, Gold | No Longer Available | 844-0120 | |