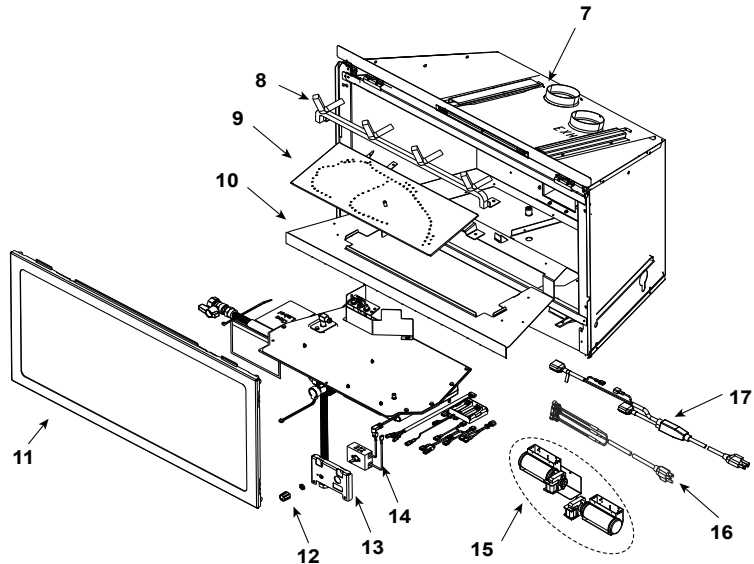
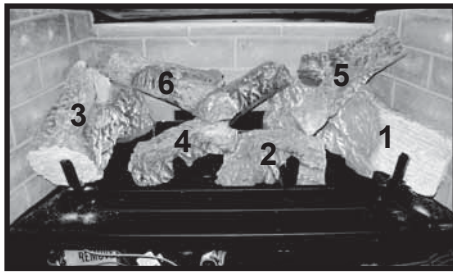


Log Set Assembly



IMPORTANT: THIS IS DATED INFORMATION. Parts must be ordered from a dealer or distributor. **Hearth and Home Technologies does not sell directly to consumers.** Provide model number and serial number when requesting service parts from your dealer or distributor.



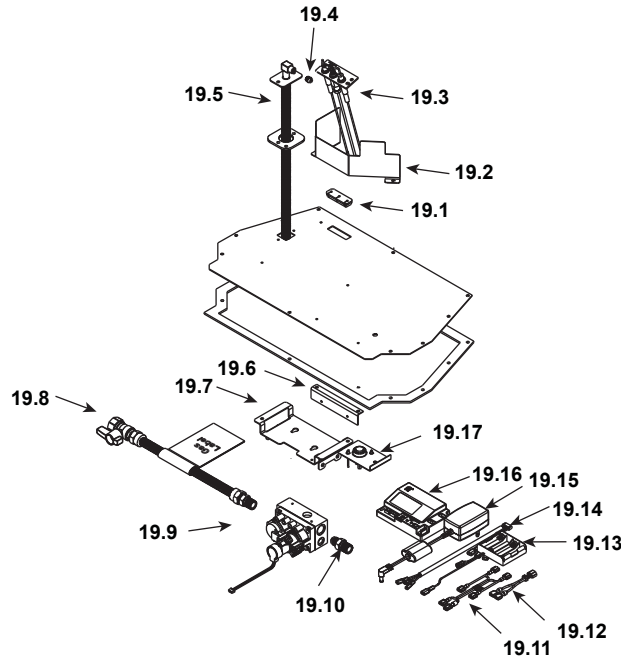
Stocked at Depot

ITEM	DESCRIPTION	COMMENTS	PART NUMBER	Stocked at Depot
	Log Assembly		LOGS-I30	Y
1	Log 1	Pre 5/15/16, Must order complete assembly	SRV2206-701	
2	Log 2		SRV2206-705	
3	Log 3		SRV2206-702	
4	Log 4		SRV2206-704	
5	Log 5		SRV2206-703	
6	Log 6		SRV2206-706	
7	Termination Plate Assembly	Pre 0023696931	2206-012	
		Post 0023696931	2206-013	
	Flex Pipe Handle		438-351	
	Gasket	Pre 0023696931	2206-401	
		Post 0023696931	2206-178	
8	Grate Assembly		2206-016	
9	Burner Assembly		2206-009	Y
10	Base Pan		2206-127	
11	Glass Door Assembly		GLA-2206	Y
12	Rheostat Knob		SRV100-512	Y
13	Control Panel		2205-129	
14	Rheostat		2206-800	Y
15	Blower		GFK-210-C	
16	Wire Assembly		2206-068	Y
17	Cord Assembly		2201-017	Y
	Fuse Wire Assembly	Qty 2 req	2206-085	Y

No one builds a better fire

Beginning Manufacturing Date: Aug 2011
Ending Manufacturing Date: Active

#19 Valve Assembly



IMPORTANT: THIS IS DATED INFORMATION. Parts must be ordered from a dealer or distributor. **Hearth and Home Technologies does not sell directly to consumers.** Provide model number and serial number when requesting service parts from your dealer or distributor.



Stocked at Depot

ITEM	DESCRIPTION	COMMENTS	PART NUMBER	
19.1	Grommet, 3 Hole		SRV2118-420	
19.2	Pilot Shield		2206-120	
19.3	Pilot Assembly NG		2202-013	Y
	Pilot Assembly Propane		2202-014	Y
19.4	Orifice NG (#35C)		SRV582-835	Y
	Orifice Propane (#51C)		SRV582-851	Y
19.5	Flexible Gas Connector		530-302A	Y
19.6	Control Panel Bracket		2205-128	
19.7	Valve Bracket		2205-146	
19.8	Flex Ball Valve Assembly		SRV302-320	Y
19.9	Valve NG		2166-302	Y
	Valve Propane		2166-303	Y
19.10	Brass Connector	Pkg of 5	303-315/5	Y
19.11	Remote Jumper Wire		2103-013	Y
19.12	Jumper Wire		SRV2187-198	
19.13	**Battery Pack		SRV2166-323	Y
19.14	Wire Harness		2166-304	Y
19.15	Power Supply		SRV2326-131	Y
19.16	Module		2166-347	Y
19.17	Temp Sensor Assembly		046-018A	Y

**Fuse for battery pack can be sourced locally, not a warranty item. Specs are 250v, 1A fuse, 3/4" long

Additional service part numbers appear on following page.



Service Parts

SUPREME-I30-C

No one builds a better fire

Beginning Manufacturing Date: Aug 2011
Ending Manufacturing Date: Active

IMPORTANT: THIS IS DATED INFORMATION. Parts must be ordered from a dealer or distributor. Hearth and Home Technologies does not sell directly to consumers. Provide model number and serial number when requesting service parts from your dealer or distributor.



Stocked at Depot

Table with 4 columns: ITEM, DESCRIPTION, COMMENTS, PART NUMBER, and Stocked at Depot. Rows include Gasket Assembly, Glass Clip Support Assembly, Glass Latch Assembly, Lava Rock, Mineral Wool, On/Off Switch, Refractory Kit, Rheostat/Temp Sensor, Touch up Paint, EMC Filter, Conversion Kit NG, Conversion Kit Propane, Pilot Orifice NG, Pilot Orifice Propane, Regulator NG, and Regulator Propane.