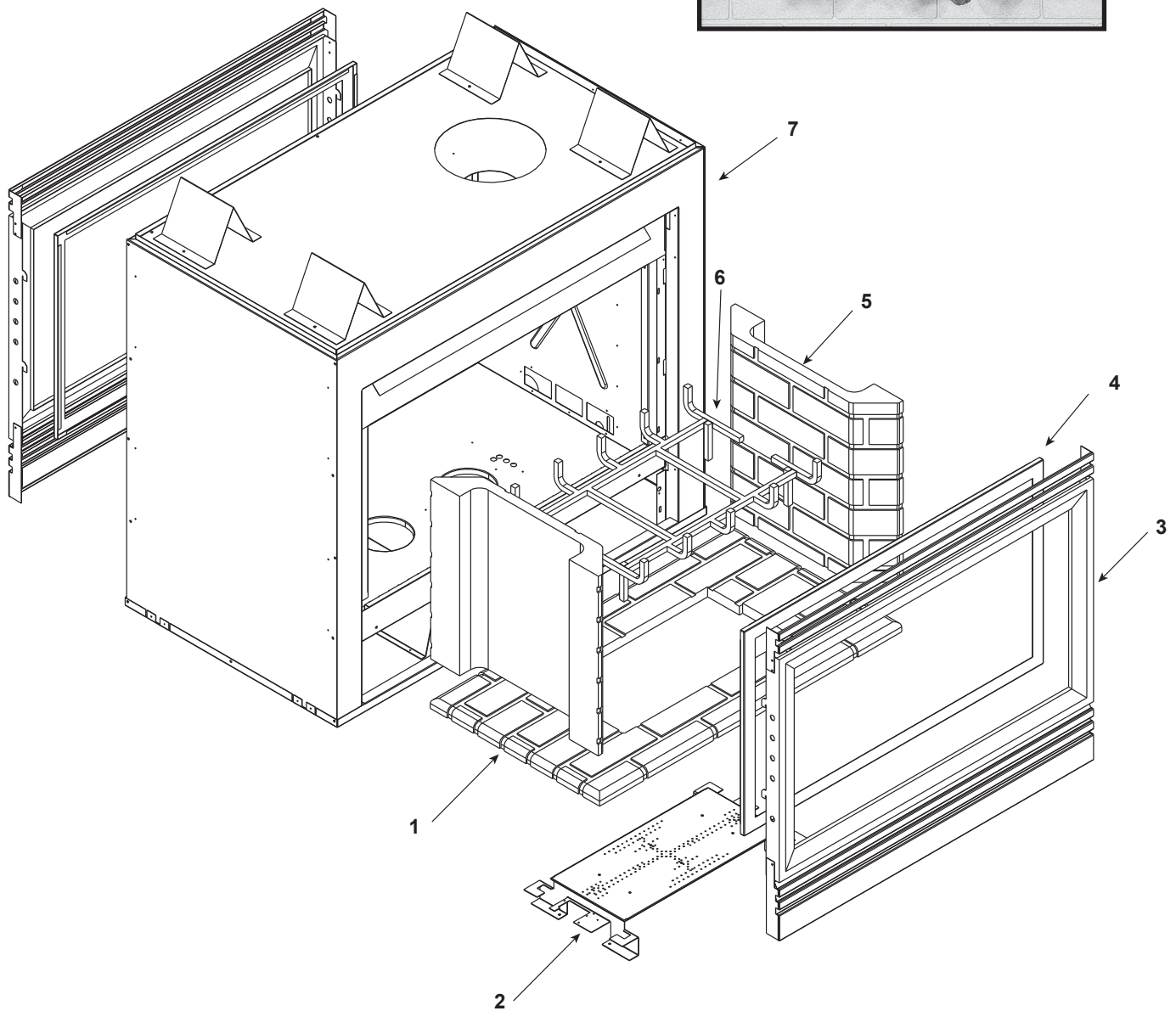
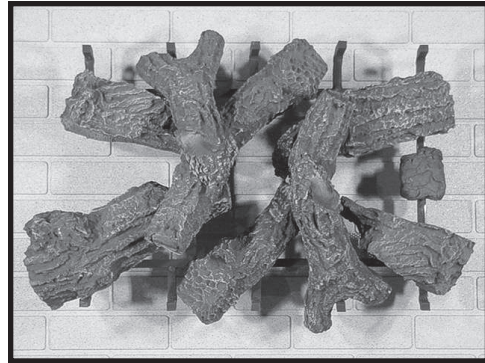


Log Set Assembly



Part number list on following page.



No one builds a better fire

Beginning Manufacturing Date: June 1997
 DSI Ending Manufacturing Date: Aug 2002
 SP & IPI Ending Manufacturing Date: Sept 2003

IMPORTANT: THIS IS DATED INFORMATION. Parts must be ordered from a dealer or distributor. **Hearth and Home Technologies does not sell directly to consumers.** Provide model number and serial number when requesting service parts from your dealer or distributor.



**Stocked
at Depot**

ITEM	DESCRIPTION	COMMENTS	PART NUMBER	
	Log Set Assembly NG	Pre 18029	LOGS-PTRC	Y
		Post 18029	LOGS-MS	Y
	Log Set Assembly LP	Pre 3994	LOGS-PTRC	Y
		Post 3994	LOGS-MS	Y
1	Base Refractory	No longer available	SRV504-738-UM	
2	Burner NG	Pre 16067	SRV501-176A	Y
		16067 Thru 18029	501-173A	Y
		Post 18029	501-272A	Y
	Burner LP	Pre 3608	SRV501-175A	Y
		3608 Thru 3994	501-172A	Y
		Post 3994	501-273A	Y
3	Decorative Front	No longer available	DF-36H	
4	Glass Door Assembly NG	No longer available	GLA-PTRC	
		Post 7758	GLA-PIER	Y
	Glass Door Assembly LP	No longer available	GLA-PTRC	
		Post 2254	GLA-PIER	Y
5	Refractory End	No longer available	SRV504-737-UM	
6	Grate Assembly	No longer available	674-364	
7	Surround Side	No longer available	502-202	
	Burner Orifice NG (#30B)	Pre 18029	064-800	Y
	Burner Orifice NG (3.1 MM)	No longer available	501-800	
	Burner Orifice LP (#49B)	Pre 3994	047-801	Y
	Burner Orifice LP (1.8MM B)	No longer available	501-801	
	Burner Tube	No longer available	SRV501-302	
	Fan Kit		GFK-160A	
	Flex Ball Valve Assembly		SRV302-320	Y
	Glass Clip	No longer available	501-135	
	Junction Box	Standing Pilot	100-250A	Y
		No longer available	100-254A	
		IPI	383-250A	Y
	On/Off, Switch		SRV32D0232	Y
	Remote		SMART-STAT-HHT	
	Touch Up Paint		TUP-GBK-12	

Valve assembly components on following page



Service Parts

ST-TRC, ST-TRC-DSI, ST-TRC-IPI

No one builds a better fire

Beginning Manufacturing Date: June 1997
 DSI Ending Manufacturing Date: Aug 2002
 SP & IPI Ending Manufacturing Date: Sept 2003

IMPORTANT: THIS IS DATED INFORMATION. Parts must be ordered from a dealer or distributor. **Hearth and Home Technologies does not sell directly to consumers.** Provide model number and serial number when requesting service parts from your dealer or distributor.



Stocked at Depot

ITEM	DESCRIPTION	COMMENTS	PART NUMBER	
Standing Pilot Ignition				
	Piezo Ignitor		291-513	Y
	Pilot Assembly NG		4021-736	Y
	Pilot Assembly LP		4021-737	Y
	Thermopile		2103-512	Y
	Thermocouple		446-511	Y
	Pilot Tube		SRV485-301	Y
	Valve NG		060-522	Y
	Valve LP		060-523	Y
	Conversion Kit NG	No longer available	NGK-PTRD	
		No longer available	NGK-PTRCMS	
	Conversion Kit LP	No longer available	LPK-PTRD	
		No longer available	LPK-PTRCMS	
	Pilot Orifice NG		SRV446-505	Y
	Pilot Orifice LP		SRV446-517	Y
	Regulator NG		SRV060-518	Y
	Regulator LP		060-519	Y
DSI Igniton				
	Electrode		501-591	Y
	Module	No longer available	501-592	
	Valve NG		492-500	Y
	Valve LP	No longer available	492-501	
IPI Igniton				
	Battery Pack		SRV593-594	Y
	Module		SRV593-592	Y
	Module Wire Assembly		SRV593-590	Y
	Power Supply		SRV593-593	Y
	Pilot Assembly NG		SRV4021-730	Y
	Pilot Assembly LP		SRV4021-731	Y
	Pilot Tube		SRV485-301	Y
	Valve NG		750-500	Y
	Valve LP		750-501	Y
	Conversion Kit NG		N/A	
	Conversion Kit LP	No longer available	LPK-MS-IPI	
	Pilot Orifice NG		SRV446-505	Y
	Pilot Orifice LP		SRV446-517	Y
	Regulator NG		SRVNGK-DXV	Y
	Regulator LP		SRVLPK-DXV	Y