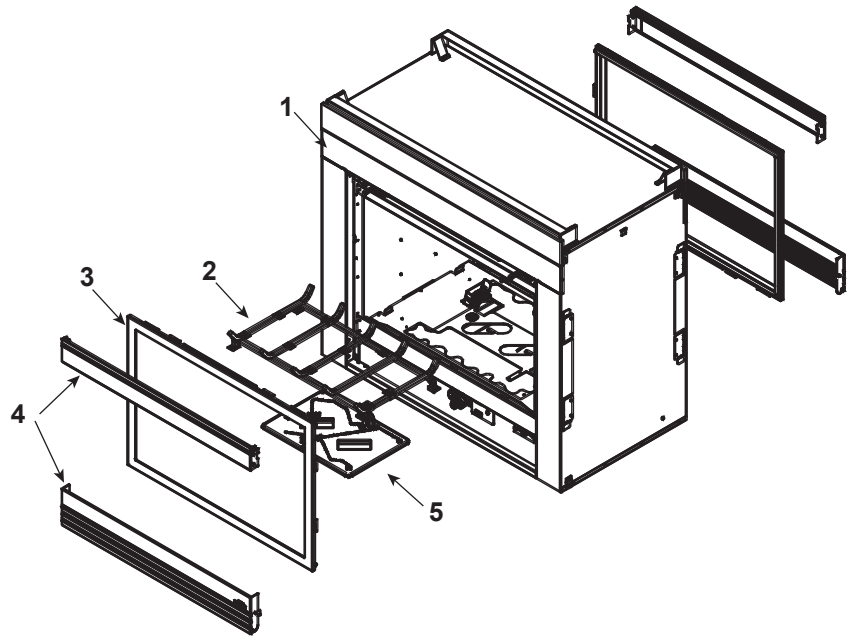


### Log Set Assembly



IMPORTANT: THIS IS DATED INFORMATION. Parts must be ordered from a dealer or distributor. **Hearth and Home Technologies does not sell directly to consumers.** Provide model number and serial number when requesting service parts from your dealer or distributor.



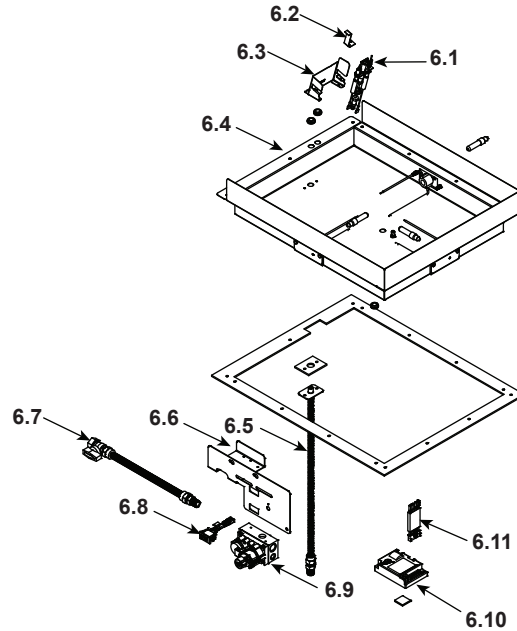
**Stocked at Depot**

| ITEM | DESCRIPTION          | COMMENTS            | PART NUMBER |   |
|------|----------------------|---------------------|-------------|---|
|      | Log Set Assembly     |                     | LOGS-MSB    | Y |
| 1    | Top Panel            | No longer available | 2005-127    |   |
| 2    | Grate Assembly       | No longer available | 2039-012    |   |
| 3    | Glass Door Assembly  |                     | GLA-6TROC   | Y |
| 4    | Louvers with Mesh    | No longer available | MS-LOUVERS  |   |
|      | Mesh Assembly        |                     | SRV530-382A | Y |
|      | Hood                 |                     | SRV2006-194 |   |
| 5    | Burner NG, LP        |                     | 2039-006    | Y |
|      | 20" Wire Assembly    |                     | 107-559A    | Y |
|      | 3 Volt Transformer   |                     | SRV593-593  | Y |
|      | 72" Wire Assembly    |                     | 258-501A    | Y |
|      | Battery Pack         |                     | SRV593-594  | Y |
|      | Ember Mesh Assembly  | No longer available | 2005-008    |   |
|      | Glass Latch Assembly | Pkg of 2            | 386-122A/2  | Y |
|      | High Limit Switch    | No longer available | 2037-141    |   |
|      | Junction Box         |                     | SRV4021-013 | Y |
|      | Junction Box Bracket | No longer available | 2005-173    |   |
|      | Lava Rock            |                     | 2005-790    |   |
|      | Light bulb           |                     | 700-540     | Y |
|      | Mineral Wool         |                     | 050-721     |   |
|      | Touch Up Paint       |                     | TUP-GBK-12  |   |

No one builds a better fire

Beginning Manufacturing Date Oct 2003  
Ending Manufacturing Date: June 2005

### #6 Valve Assembly



IMPORTANT: THIS IS DATED INFORMATION. Parts must be ordered from a dealer or distributor. **Hearth and Home Technologies does not sell directly to consumers.** Provide model number and serial number when requesting service parts from your dealer or distributor.



**Stocked  
at Depot**

| ITEM | DESCRIPTION              | COMMENTS            | PART NUMBER |   |
|------|--------------------------|---------------------|-------------|---|
| 6.1  | Pilot Assembly NG        |                     | SRV4021-730 | Y |
|      | Pilot Assembly LP        |                     | SRV4021-731 | Y |
|      | Pilot Tube               |                     | SRV485-301  | Y |
| 6.2  | Ground Strap             | No longer available | 385-512     |   |
| 6.3  | Pilot Bracket            | No longer available | 2005-118    |   |
| 6.4  | Ember Box Assembly       |                     | SRV2005-114 | Y |
| 6.5  | Flexible Gas Connector   |                     | 2005-009    | Y |
| 6.6  | Valve Bracket            | No longer available | 2005-120    |   |
| 6.7  | Flex Ball Valve Assembly |                     | SRV302-320  | Y |
| 6.8  | On/Off Rocker Switch     |                     | 060-521A    | Y |
| 6.9  | Valve NG                 |                     | 750-500     | Y |
|      | Valve LP                 |                     | 750-501     | Y |
| 6.10 | Module                   |                     | SRV593-592  | Y |
| 6.11 | Module Wire Assembly     |                     | SRV593-590  | Y |
|      | Orifice NG (#32)         |                     | SRV582-832  | Y |
|      | Orifice LP (#50)         |                     | 582-850     | Y |
|      | Conversion Kit NG        | No longer available | NGK-MS      |   |
|      | Conversion Kit LP        | No longer available | LPK-PVTV    |   |
|      | Pilot Orifice NG         |                     | SRV446-505  | Y |
|      | Pilot Orifice LP         |                     | SRV446-517  | Y |
|      | Regulator NG             |                     | SRVNGK-DXV  | Y |
|      | Regulator LP             |                     | SRVLPK-DXV  | Y |