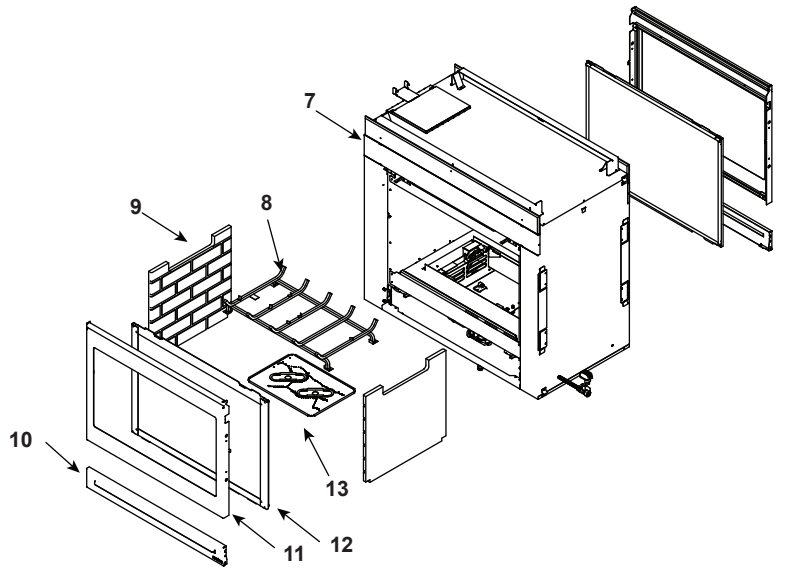
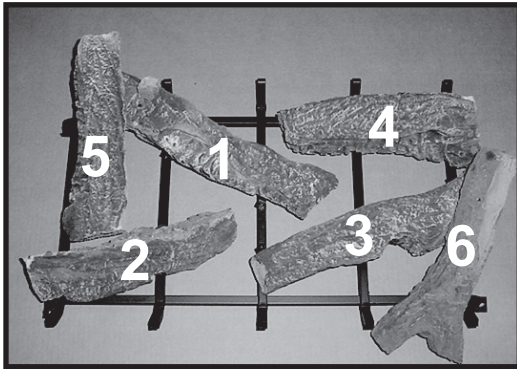


No one builds a better fire

See-thru Gas Fireplace - DV

Beginning Manufacturing Date: Sept 2006
Ending Manufacturing Date: Feb 2011

Log Set Assembly



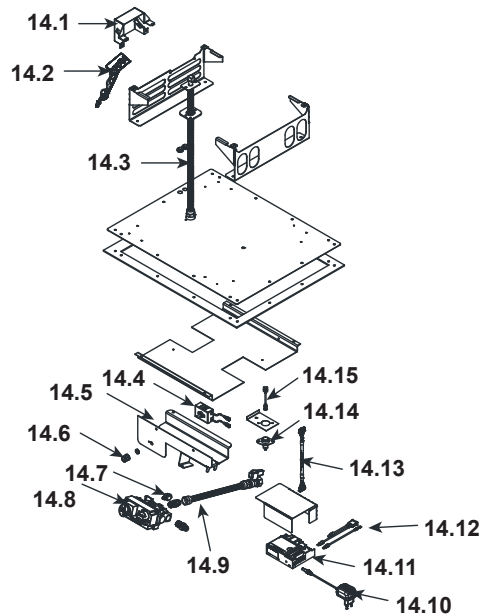
IMPORTANT: THIS IS DATED INFORMATION. Parts must be ordered from a dealer or distributor. **Hearth and Home Technologies does not sell directly to consumers.** Provide model number and serial number when requesting service parts from your dealer or distributor.

ITEM	DESCRIPTION	COMMENTS	PART NUMBER
	Log Set Assembly		LOGS-ST-CE
1	Log #1		SRV2068-700
2	Log #2		SRV2068-701
3	Log #3		SRV2068-702
4	Log #4		SRV2068-703
5	Log #5		SRV2068-703
6	Log #6		SRV582-705
7	Insulation Board		2005-272
8	Grate		2068-020
9	Side Refractory		SRV2005-730
10	Lower Door	No longer available	2082-041
11	Dress Guard		2068-040
12	Glass Door Assembly		GLA-6TRXI
13	Burner Assembly N		SRV2082-014
	Burner Assembly P		SRV2082-015
	Blower Assembly 240v.		GFK-240V
	Cord	No longer available	546-251A
	Fiber Glass Rope		060-455
	Glass Latch Assembly	Pkg of 2	33858/2
	Heat Shield, control Module	No longer available	2078-121
	Junction Box	No longer available	2078-027
	Lava Rock		2005-790
	Mineral Wool		050-721
	Multi Function Remote Control	No longer available	REM-DLX-CE
	Touch-Up Paint		TUP-GBK-12

No one builds a better fire

Beginning Manufacturing Date: Sept 2006
Ending Manufacturing Date: Feb 2011

#14 Valve Assembly



IMPORTANT: THIS IS DATED INFORMATION. Parts must be ordered from a dealer or distributor. **Hearth and Home Technologies does not sell directly to consumers.** Provide model number and serial number when requesting service parts from your dealer or distributor.

ITEM	DESCRIPTION	COMMENTS	PART NUMBER
14.1	Pilot Bracket		2082-118
14.2	Pilot Assembly N		2098-050
	Pilot Assembly P		2098-051
14.3	Flexible Gas Connector		530-302A
14.4	Rheostat		491-510A
14.5	Valve Bracket	No longer available	2082-103
14.6	Rheostat Knob		SRV100-512
14.7	Thermocouple Block	No longer available	2098-146
14.8	Valve N	No longer available	SRV2082-007
	Valve P	No longer available	SRV2082-008
14.9	Flexible Gas Connector		2098-034
14.10	6 Volt Transformer		SRV2326-131
14.11	Ignition Module	No longer available	2098-142
14.12	Block Control Wire	No longer available	2098-148
14.13	Switch Wire Assembly	No longer available	2098-145
14.14	Temp Sensor		SRV046-018A
14.15	Wire Asembly 20 in		107-558A
	Orifice N (#30C)		582-830
	Orifice P (#49C)		SRV582-849
	Propane to Natural	No longer available	P2N-STHVBI-AU
	Natural to Propane	No longer available	N2P-STHVBI-AU
	Pilot Orifice N (.0181)		2098-518
	Pilot Orifice P (.0121)		SRV2098-512