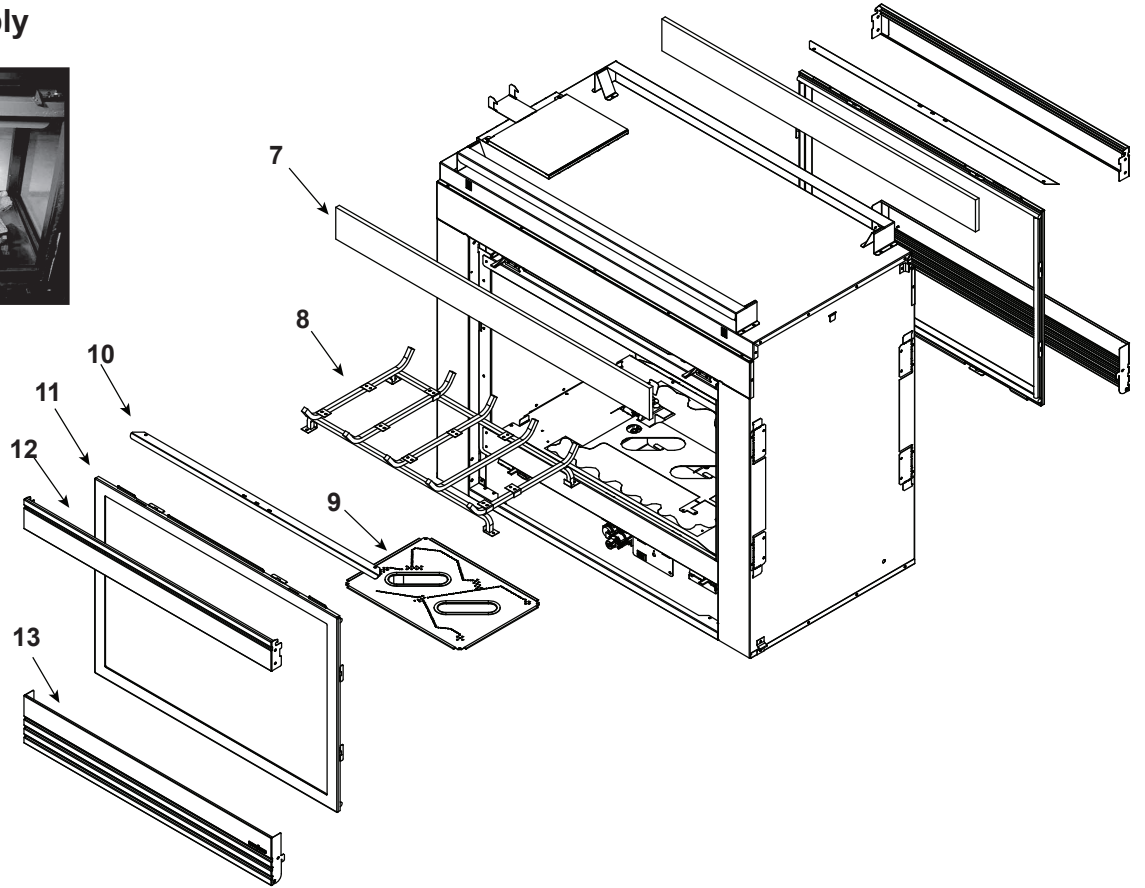


Log Set Assembly



IMPORTANT: THIS IS DATED INFORMATION. Parts must be ordered from a dealer or distributor. **Hearth and Home Technologies does not sell directly to consumers.** Provide model number and serial number when requesting service parts from your dealer or distributor.



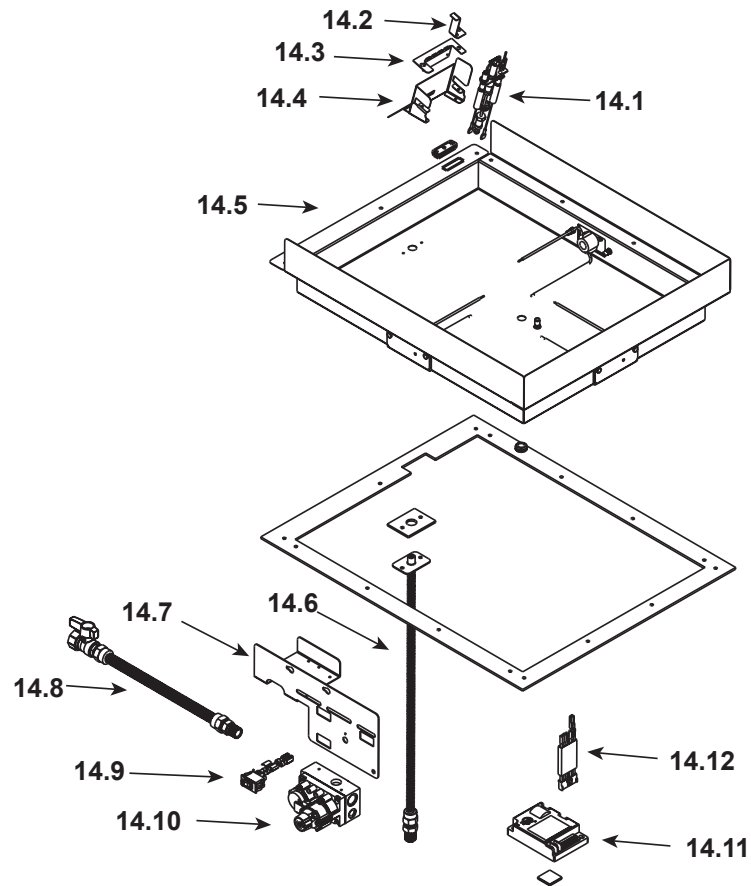
Stocked at Depot

ITEM	DESCRIPTION	COMMENTS	PART NUMBER	
	Log Set Assembly		LOGS-MSB	Y
1	Log 1	No longer available, Must order complete assembly	SRV2039-701	
2	Log 2		SRV2039-703	
3	Log 3		SRV2039-700	
4	Log 4		SRV2039-702	
5	Log 5		SRV2039-705	
6	Log 6		SRV2039-704	
7	Non-combustible board	No longer available	2005-172	
8	Grate Assembly	No longer available	2039-012	
9	Burner NG, LP	Metal	2039-006	Y
	Burner for LOGS-Upgrade	Fiber	2005-006	Y
10	Hood Black		SRV2005-190	
11	Glass Door Assembly		GLA-6TROC	Y
12	Louver, Top	No longer available	SRV2040-005-BK	
13	Louver, Bottom	No longer available	SRV2040-004-BK	

No one builds a better fire

Beginning Manufacturing Date: Aug 2003
Ending Manufacturing Date: Dec 2008

#14 Valve Assembly



IMPORTANT: THIS IS DATED INFORMATION. Parts must be ordered from a dealer or distributor. **Hearth and Home Technologies does not sell directly to consumers.** Provide model number and serial number when requesting service parts from your dealer or distributor.



Stocked
at Depot

ITEM	DESCRIPTION	COMMENTS	PART NUMBER	
14.1	Pilot Assembly NG		SRV4021-730	Y
	Pilot Tube		SRV446-301	Y
14.2	Ground Strap	No longer available	385-512	
14.3	Pilot Support Arm		385-120	
14.4	Pilot Bracket	No longer available	2005-118	
14.5	Ember Box Assembly		SRV2005-114	Y
14.6	Flexible Gas Connector		2005-009	Y
14.7	Valve Bracket	No longer available	2005-120	
14.8	Flex Ball Valve Assembly		SRV302-320	Y
14.9	On/Off Switch Assembly		060-521A	Y
14.10	Valve NG		750-500	Y
	Valve LP		750-501	Y
14.11	Module		SRV593-592	Y
14.12	Module Wire Assembly		SRV593-590	Y

Additional service part numbers appear on following page.



Service Parts

ST-HVB-IPI

No one builds a better fire

Beginning Manufacturing Date: Aug 2003
Ending Manufacturing Date: Dec 2008

IMPORTANT: THIS IS DATED INFORMATION. Parts must be ordered from a dealer or distributor. Hearth and Home Technologies does not sell directly to consumers. Provide model number and serial number when requesting service parts from your dealer or distributor.



Stocked at Depot

Table with 5 columns: ITEM, DESCRIPTION, COMMENTS, PART NUMBER, Stocked at Depot. Rows include various parts like 3V Adaptor Plug, Battery Pack, Bracket Junction box, Ember Mesh Assembly, Fan Kit, Fiber Glass Rope, Flue Restrictor, Glass Latch Assembly, Junction Box, Lava Rock, Mesh Assembly, Mineral Wool, Orifice NG (#32C), Orifice LP (#50C), Remote, Touch Up Paint, Conversion Kit NG, Conversion Kit LP, Pilot Orifice NG, Pilot Orifice LP, Regulator NG, and Regulator LP.