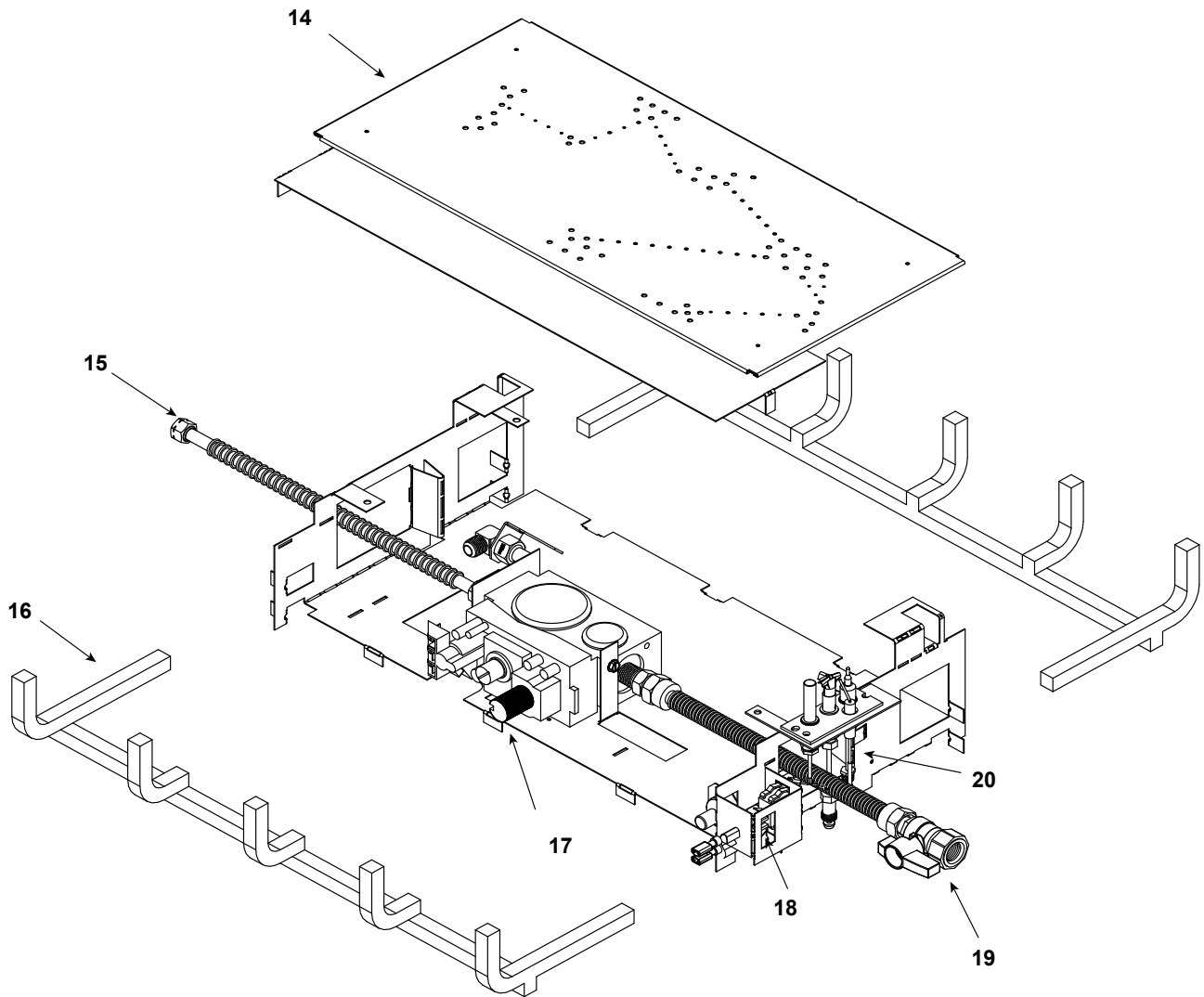
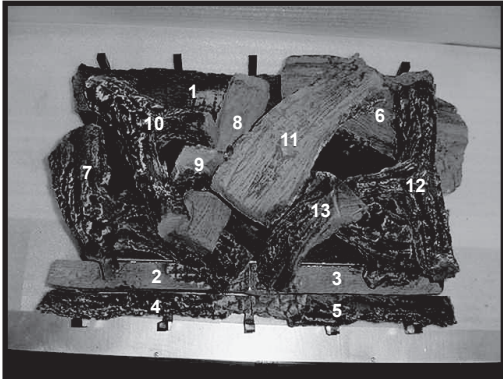


Log Set Assembly



Part number list on following page.

IMPORTANT: THIS IS DATED INFORMATION. Parts must be ordered from a dealer or distributor. **Hearth and Home Technologies does not sell directly to consumers.** Provide model number and serial number when requesting service parts from your dealer or distributor.



**Stocked  
at Depot**

ITEM	DESCRIPTION	COMMENTS	PART NUMBER	
	Log Assembly		LOGS-STCFL	
1	Log 1	<b>Pre 5/15/16, Must order complete assembly</b>	SRV569-710	
2	Log 2		SRV569-711	
3	Log 3			
4	Log 4		SRV481-755	
5	Log 5			
6	Log 6		SRV569-708	
7	Log 7		SRV569-709	
8	Log 8		SRV569-704	
9	Log 9		SRV569-706	
10	Log 10		SRV569-707	
11	Log 11		SRV569-702	
12	Log 12		SRV569-703	
13	Log 13		SRV569-705	
14	Burner Assembly		526-011A	Y
15	Flexible Gas Connector		477-301A	Y
16	Grate Assembly		SRV526-360	
17	Valve NG		418-500	Y
	Valve LP		418-501	Y
18	ON/Off Switch		060-521A	Y
19	Flex Ball Valve Assembly		SRV302-320	Y
20	Pilot Assembly NG		2103-010	Y
	Pilot Assembly LP		2103-011	Y
	Mineral Wool		050-721	
	Orifice NG (1.55)		526-801	Y
	Orifice LP (2.30 mm)		526-800	Y
	Piezo Ignitor		291-513	Y
	Pilot Orifice NG		SRV2103-116	Y
	Pilot Orifice LP		2103-117	Y
	Remote Heat Shield		526-199	
	Thermocouple		2103-511	Y
	Thermopile		2103-512	Y
	Vermiculite		060-720	
	Wire Assembly 24 in		089-550A	Y
	Single Wire Assembly, 24 in		049-555A	Y