

**IMPORTANT: THIS IS DATED INFORMATION.** Parts must be ordered from a dealer or distributor. **Hearth and Home Technologies does not sell directly to consumers.** Provide model number and serial number when requesting service parts from your dealer or distributor.



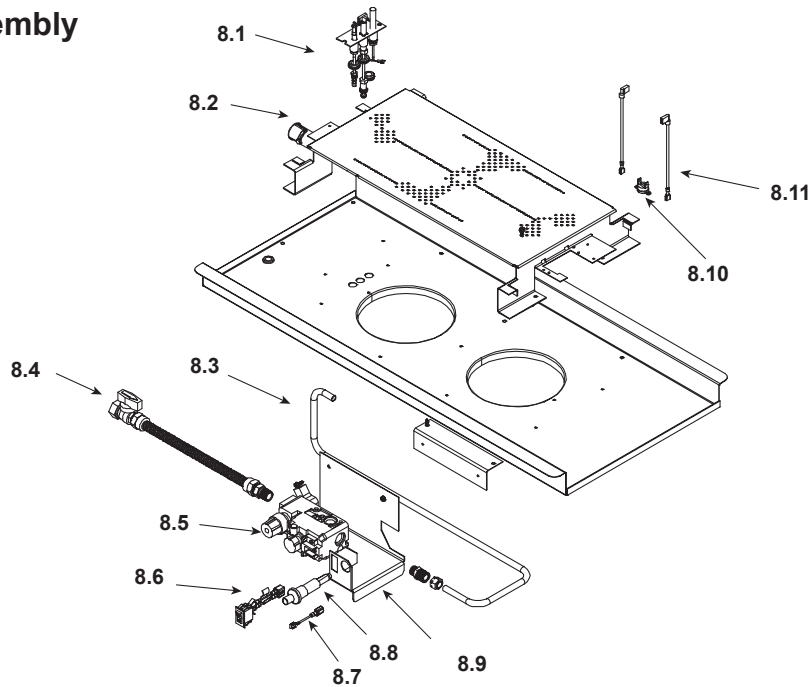
**Stocked at Depot**

| ITEM | DESCRIPTION   | COMMENTS            | PART NUMBER   |   |
|------|---|---------------------|---------------|---|
|      | Log Set Assembly (sold as complete log set only)  |                     | LOGS-MS       | Y |
| 1    | Hood  | No longer available | 455-322       |   |
| 2    | Surround Side   | No longer available | 502-202       |   |
| 3    | Refractory, Rear (Metal)  | No longer available | 464-280       |   |
|      |   | No longer available | SRV504-737-UM |   |
| 4    | Base Refractory (Metal)   | No longer available | 464-292       |   |
|      |   | No longer available | SRV504-738-UM |   |
| 5    | Burner NG   | Metal               | SRV501-176A   | Y |
|      |   | 5292 Thru 5997      | 501-173A      | Y |
|      |   | Post 5997           | 501-272A      | Y |
|      | Burner LP   | Pre 1439            | SRV501-175A   | Y |
|      |   | 1439 Thru 1518      | 501-172A      | Y |
|      |   | Post 1518           | 501-273A      | Y |
| 6    | Glass Door Assembly (Contact Tech Service w/picture to confirm correct parts are ordered) | No longer available | GLA-PTRC      |   |
|      |   | Post Feb 13,1998    | GLA-PIER      | Y |
| 7    | Decorative Front  | No longer available | DF-36H        |   |

No one builds a better fire

Beginning Manufacturing Date: Aug 1997  
Ending Manufacturing Date: Dec 2004

### #8 Valve Assembly



**IMPORTANT: THIS IS DATED INFORMATION.** Parts must be ordered from a dealer or distributor. **Hearth and Home Technologies does not sell directly to consumers.** Provide model number and serial number when requesting service parts from your dealer or distributor.



**Stocked  
at Depot**

| ITEM | DESCRIPTION                     | COMMENTS                   | PART NUMBER              |   |
|------|---------------------------------|----------------------------|--------------------------|---|
| 8.1  | Pilot Assembly NG               |                            | 4021-736                 | Y |
|      | Pilot Assembly LP               |                            | 4021-737                 | Y |
|      | Pilot Tube                      |                            | SRV485-301               | Y |
|      | Thermocouple                    |                            | 446-511                  | Y |
|      | Thermopile                      |                            | 2103-512                 | Y |
| 8.2  | Burner Assembly                 |                            | <b>See previous page</b> |   |
| 8.3  | Burner Tube                     | <b>No longer available</b> | 501-302                  |   |
| 8.4  | Flex Ball Valve Assembly        |                            | SRV302-320               | Y |
| 8.5  | Valve NG                        |                            | 060-522                  | Y |
|      | Valve LP                        |                            | 060-523                  | Y |
| 8.6  | On/Off Rocker Switch            |                            | 060-521A                 | Y |
| 8.7  | Wire Assembly                   | <b>No longer available</b> | 049-552A                 |   |
| 8.8  | Piezo Ignitor                   |                            | 291-513                  | Y |
| 8.9  | Valve Bracket                   | <b>No longer available</b> | 501-115                  |   |
| 8.10 | High Temp Limit Switch          |                            | SRV4021-383              | Y |
| 8.11 | 80" Wire Assembly               |                            | 522-501A                 | Y |
|      | Burner Orifice <b>NG</b> (#30B) | Pre 3003                   | 064-800                  | Y |
|      | Burner Orifice <b>NG</b> (#31B) | <b>No longer available</b> | 455-800                  |   |
|      | Burner Orifice <b>LP</b> (#49B) | Pre 1175                   | 047-801                  | Y |
|      | Burner Orifice <b>LP</b> (#48B) | <b>No longer available</b> | 042-800                  |   |

Additional service part numbers on following page.

