

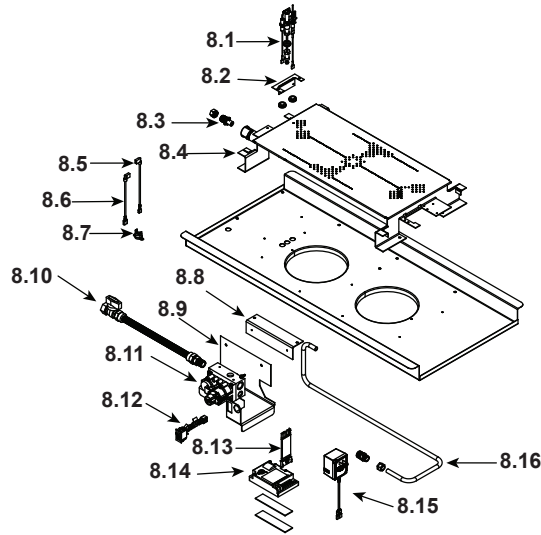
IMPORTANT: THIS IS DATED INFORMATION. Parts must be ordered from a dealer or distributor. **Hearth and Home Technologies does not sell directly to consumers.** Provide model number and serial number when requesting service parts from your dealer or distributor.



**Stocked
at Depot**

ITEM	DESCRIPTION	COMMENTS	PART NUMBER	
	Log Set Assembly (sold as complete log set only)		LOGS-MS	Y
1	Hood	No longer available	455-322	
2	Surround Side	No longer available	502-202	
3	Refractory, Rear (Metal)	No longer available	464-280	
4	Base Refractory (Metal)	No longer available	464-292	
5	Burner NG		501-272A	Y
	Burner LP		501-273A	Y
6	Glass Door Assembly		GLA-PIER	Y
7	Decorative Front	No longer available	DF-36H	
	Battery Pack		SRV593-594	Y
	Fan Kit		GFK-160A	
	Junction Box		383-250A	Y
	Mesh Assembly	No longer available	MESH-36B	
	Mineral Wool		050-721	
	Remote		SMART-STAT-HHT	
	Touch up Paint		TUP-GBK-12	
	Wire, Wall Switch		062-550	

#8 Valve Assembly



IMPORTANT: THIS IS DATED INFORMATION. Parts must be ordered from a dealer or distributor. **Hearth and Home Technologies does not sell directly to consumers.** Provide model number and serial number when requesting service parts from your dealer or distributor.



**Stocked
at Depot**

ITEM	DESCRIPTION	COMMENTS	PART NUMBER	
8.1	Pilot Assembly NG		SRV4021-730	Y
	Pilot Assembly LP		SRV4021-731	Y
8.2	Pilot Bracket		385-120	
8.3	Orifice NG (#31B)	No longer available	455-800	
	Orifice LP (#48B)	No longer available	042-800	
8.4	Burner Assembly NG		501-272A	Y
	Burner Assembly LP		501-273A	Y
8.5	80"" Wire Assembly		522-501A	Y
8.6	80"" Wire Assembly		258-501A	Y
8.7	High Temp Limit Switch		SRV4021-383	Y
8.8	Valve Support Bracket	No longer available	501-215	
8.9	Valve Bracket	No longer available	501-115	
8.10	Flex Ball Valve Assembly		SRV302-320	Y
8.11	Valve NG		750-500	Y
	Valve LP		750-501	Y
8.12	ON/OFF Rocker Switch		060-521A	Y
8.13	Wire Assembly		SRV593-590	Y
8.14	Module		SRV593-592	Y
8.15	3 Volt Transformer		SRV593-593	Y
8.16	Flexible Gas Connector	No longer available	SRV501-302	
	Conversion Kit NG		N/A	
	Conversion Kit LP	No longer available	LPK-42TVFL-IPI	
	Pilot Orifice NG		SRV446-505	Y
	Pilot Orifice LP		SRV446-517	Y
	Regulator NG		SRVNGK-DXV	Y
	Regulator LP		SRVLPK-DXV	Y