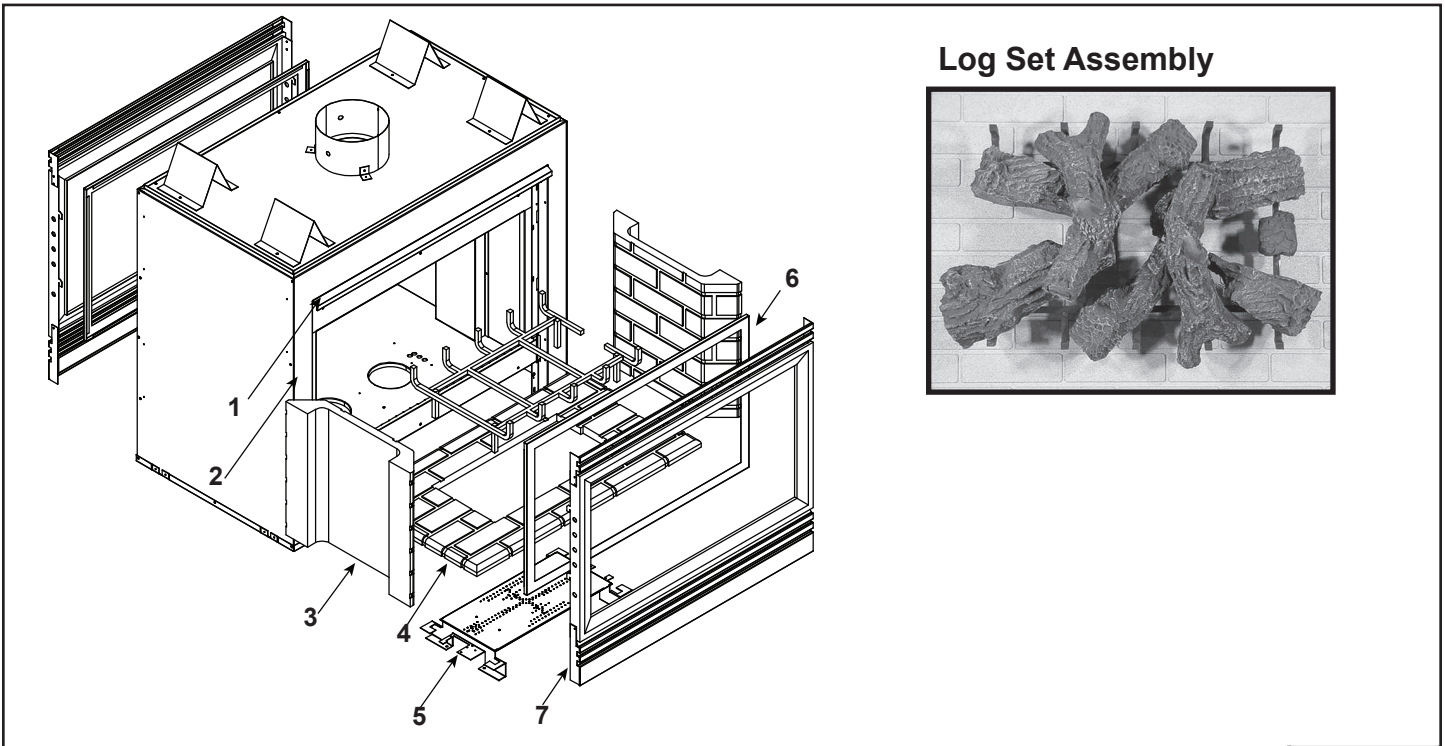


No one builds a better fire

42" See-thru Gas Fireplace - BV

Beginning Manufacturing Date: Aug 1997
Ending Manufacturing Date: Aug 2002



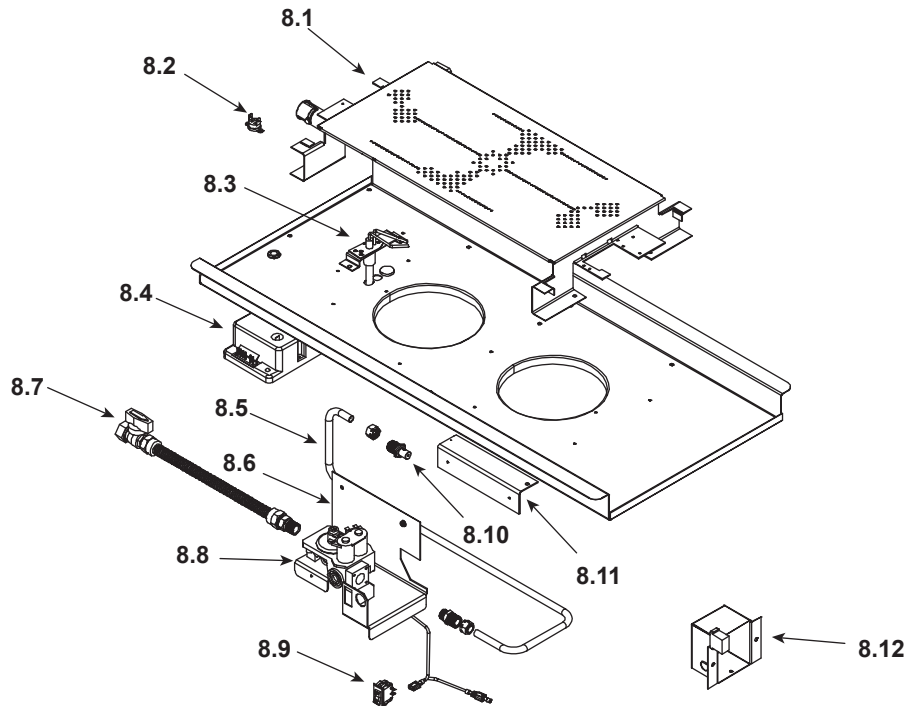
IMPORTANT: THIS IS DATED INFORMATION. Parts must be ordered from a dealer or distributor. **Hearth and Home Technologies does not sell directly to consumers.** Provide model number and serial number when requesting service parts from your dealer or distributor.



Stocked at Depot

| ITEM | DESCRIPTION | COMMENTS | PART NUMBER | |
|------|--|---------------------|----------------|---|
| | Log Set Assembly (sold as complete log set only) | | LOGS-MS | Y |
| 1 | Hood | No longer available | 455-322 | |
| 2 | Surround Side | No longer available | 502-202 | |
| 3 | Refractory, Rear (Metal) | No longer available | 464-280 | |
| | | No longer available | SRV504-737-UM | |
| 4 | Base Refractory (Metal) | No longer available | 464-292 | |
| | | No longer available | SRV504-738-UM | |
| 5 | Burner NG | Metal | SRV501-176A | Y |
| | | 5292 Thru 5997 | 501-173A | Y |
| | | Post 5997 | 501-272A | Y |
| | Burner LP | Pre 1439 | SRV501-175A | Y |
| | | 1439 Thru 1518 | 501-172A | Y |
| | Post 1518 | 501-273A | Y | |
| 6 | Glass Door Assembly | No longer available | GLA-PTRC | |
| | | Post Feb 13,1998 | GLA-PIER | Y |
| 7 | Decorative Front | No longer available | DF-36H | |
| | Mesh Assembly | No longer available | MESH-36B | |
| | Mineral Wool | | 050-721 | |
| | Touch up Paint | | TUP-GBK-12 | |
| | Wire, Wall Switch | | 062-550 | |
| | Remote | | SMART-STAT-HHT | |

#8 Valve Assembly



IMPORTANT: THIS IS DATED INFORMATION. Parts must be ordered from a dealer or distributor. **Hearth and Home Technologies does not sell directly to consumers.** Provide model number and serial number when requesting service parts from your dealer or distributor.



**Stocked
at Depot**

| ITEM | DESCRIPTION | COMMENTS | PART NUMBER | |
|------|--------------------------|---------------------|-------------------|---|
| 8.1 | Burner Assembly | | See previous page | |
| 8.2 | High Temp Limit Switch | | SRV4021-383 | Y |
| 8.3 | Ignitor | | 501-591 | Y |
| 8.4 | Module | No longer available | 501-592 | |
| 8.5 | Burner Tube | No longer available | 501-302 | |
| 8.6 | Valve Bracket | No longer available | 501-115 | |
| 8.7 | Flex Ball Valve Assembly | | SRV302-320 | Y |
| 8.8 | Valve NG | | 492-500 | Y |
| | Valve LP | No longer available | 492-501 | |
| 8.9 | On/Off Rocker Switch | | 060-521A | Y |
| 8.10 | Burner Orifice NG (#30B) | Pre 3003 | 064-800 | Y |
| | Burner Orifice NG (#33B) | No longer available | 455-800 | |
| | Burner Orifice LP (#49B) | Pre 1175 | 047-801 | Y |
| | Burner Orifice LP (#46B) | No longer available | 042-800 | |
| 8.11 | Junction Box | No longer available | 100-254A | |
| | 80" Wire Assembly | | 522-504A | Y |
| | Conversion Kit NG | | N/A | |
| | | No longer available | NGK-PTVFLMS-DSI | |
| | Conversion Kit LP | | N/A | |
| | | No longer available | LPK-PTRCMS-DSI | |