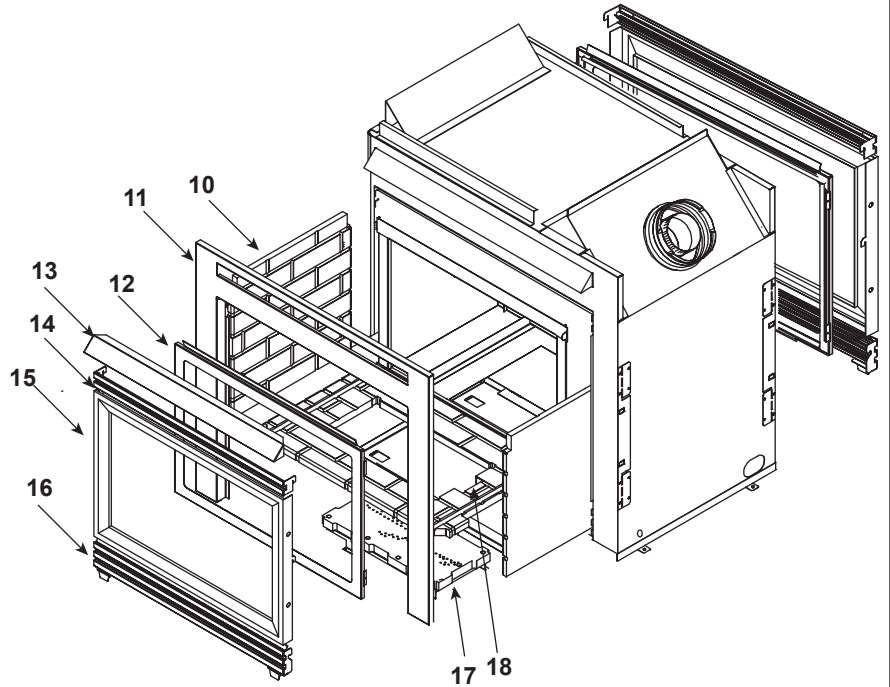
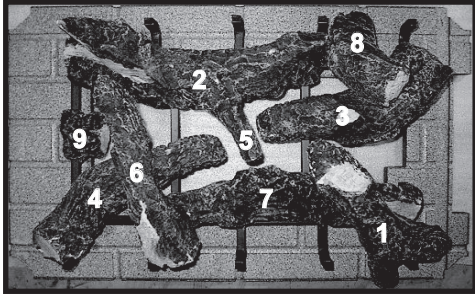


Log Set Assembly



IMPORTANT: THIS IS DATED INFORMATION. Parts must be ordered from a dealer or distributor. **Hearth and Home Technologies does not sell directly to consumers.** Provide model number and serial number when requesting service parts from your dealer or distributor.



Stocked at Depot

ITEM	DESCRIPTION	COMMENTS	PART NUMBER	
	Log Set Assembly	No longer available	LOGS-38HVSTP	
1	Log 1	No longer available	SRV285-720	
2	Log 2	No longer available	SRV285-721	
3	Log 3	No longer available	SRV285-722	
4	Log 4	No longer available	SRV285-723	
5	Log 5	No longer available	SRV285-724	
6	Log 6	No longer available	SRV285-725	
7	Log 7	No longer available	SRV285-726	
8	Log 8	No longer available	SRV285-727	
9	Log 9	No longer available	SRV285-728	
10	Refractory Side	No longer available	SRV285-731	
11	Surround	No longer available	285-130	
12	Glass Door Assembly	No longer available	GLA-38HV	
13	Hood	No longer available	SRV550-175	
14	Top Louver Assembly	No longer available	285-255A	
15	Trim door	No longer available	DF-550M	
16	Bottom Louver Assembly	No longer available	550-248A	
17	Burner NG	No longer available	285-710A	
	Burner LP	No longer available	285-711A	
18	Refractory Base	No longer available	SRV285-730	



Service Parts

ST-38HV , ST-38HV-DSI

No one builds a better fire

Beginning Manufacturing Date: Mar 2000

Ending Manufacturing Date: Jan 2002

IMPORTANT: THIS IS DATED INFORMATION. Parts must be ordered from a dealer or distributor. **Hearth and Home Technologies does not sell directly to consumers.** Provide model number and serial number when requesting service parts from your dealer or distributor.



Stocked at Depot

ITEM	DESCRIPTION	COMMENTS	PART NUMBER	Stocked at Depot
	Burner Tube		567-301A	Y
	Flex Ball Valve Assembly		SRV302-320	Y
	Junction Box	Standing Pilot	100-250A	Y
		No longer available	100-254A	
	Glass Latch Assembly	Pkg of 2	386-122A/2	Y
	On/ Off Rocker Switch		060-521A	Y
	Orifice NG (#33)	No longer available	438-800	
	Orifice LP (#51)	No longer available	079-803	
	Piezo Ignitor		291-513	Y
	Pilot Assembly NG		4021-736	Y
	Pilot Assembly LP		4021-737	Y
	Thermocouple		446-511	Y
	Thermopile		2103-512	Y
	Pilot Tube		SRV485-301	Y
	Valve NG		060-522	Y
	Valve LP		060-523	Y
	Fan Kit		GFK-160A	
	Grate Assembly	No longer available	285-360A	
	Mineral Wool		050-721	
	Remote		SMART-STAT-HHT	
	Touch Up Paint		TUP-GBK-12	
Standing Pilot Conversion Kits				
	Conversion Kit NG	No longer available	NGK-38HVBAY	
	Conversion Kit LP	No longer available	LPK-38HVBAY	
	Pilot Orifice NG		SRV446-505	Y
	Pilot Orifice LP		SRV446-517	Y
	Regulator NG		SRV060-518	Y
	Regulator LP		060-519	Y
DSI Components and Conversion Kits				
	Electrode		501-591	Y
	Module	No longer available	501-592	
	Valve		476-500	Y
	Conversion Kit NG	No longer available	NGK-38HVBAY-DSI	
	Conversion Kit LP	No longer available	LPK-38HVBAY-DSI	