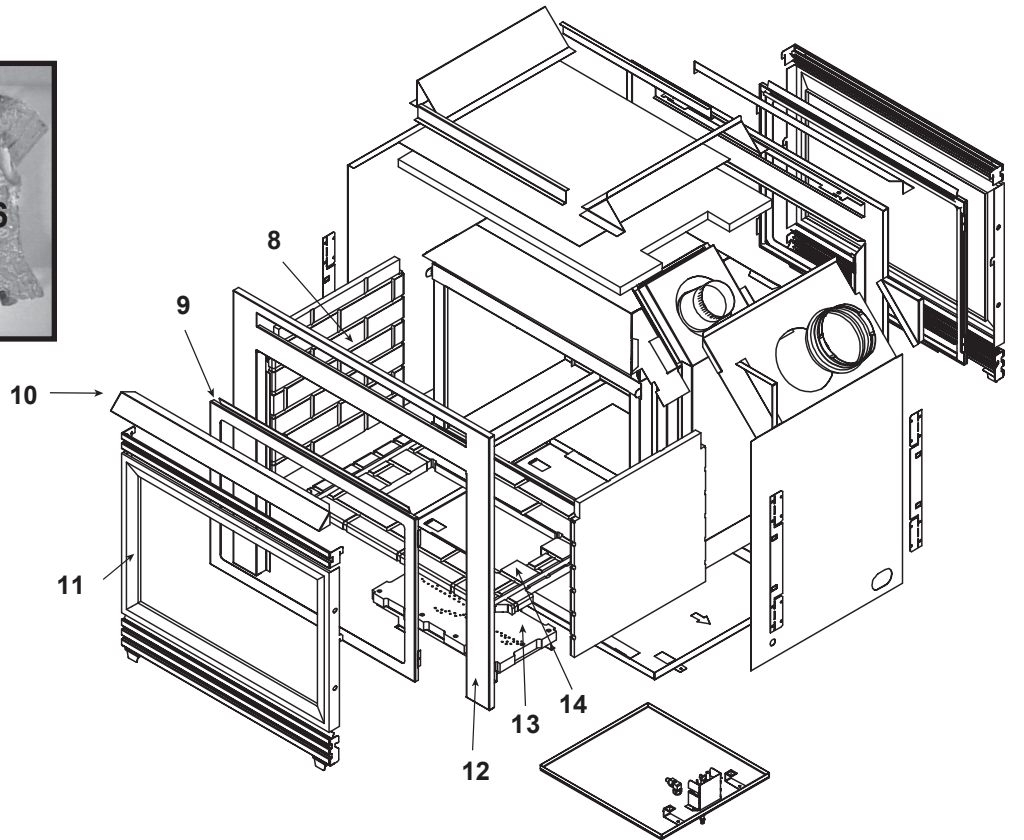
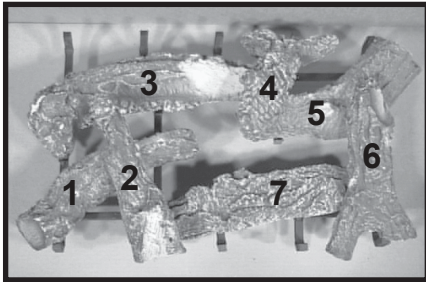


Log Set Assembly



IMPORTANT: THIS IS DATED INFORMATION. Parts must be ordered from a dealer or distributor. **Hearth and Home Technologies does not sell directly to consumers.** Provide model number and serial number when requesting service parts from your dealer or distributor.

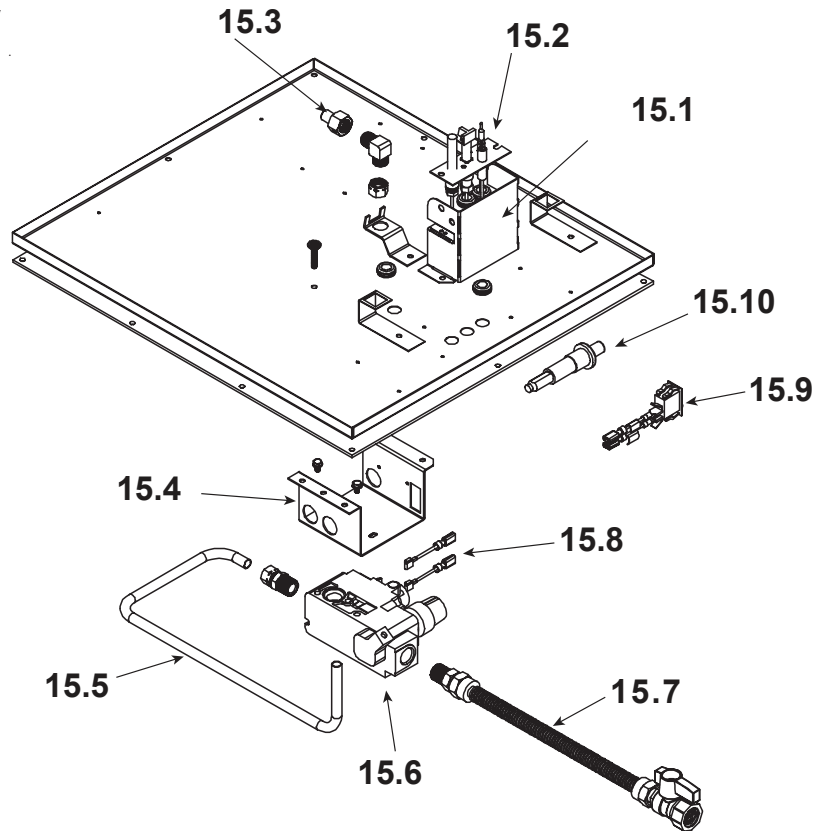
ITEM	DESCRIPTION	COMMENTS	PART NUMBER
	Log Set		SRV675-700A
1	Log #1	No longer available, Must order complete assembly	SRV675-723
2	Log #2		SRV285-725
3	Log #3		SRV675-721
4	Log #4		SRV278-705
5	Log #5		SRV675-722
6	Log #6		SRV285-720
7	Log #7		SRV675-726
8	Refractory, Side	No longer available	SRV285-731
9	Glass Door Assembly	No longer available	GLA-38HV-AU
10	Hood		SRV550-175
11	Trim Door	No longer available	675-113A
12	Surround	No longer available	285-130
13	Burner - NG	No longer available	SRV675-710A
	Burner - LP	No longer available	SRV675-711A
14	Base Refractory	No longer available	SRV285-730

No one builds a better fire

Beginning Manufacturing Date: May 2000

Ending Manufacturing Date: Oct 2006

#15 Valve Assembly



IMPORTANT: THIS IS DATED INFORMATION. Parts must be ordered from a dealer or distributor. **Hearth and Home Technologies does not sell directly to consumers.** Provide model number and serial number when requesting service parts from your dealer or distributor.

ITEM	DESCRIPTION	COMMENTS	PART NUMBER
15.1	Pilot Bracket	No longer available	438-164
15.2	Pilot Assembly - NG		4021-736
	Pilot Assembly - LP		4021-737
	Thermocouple		446-511
	Thermopile		2103-512
	Pilot Tube		SRV485-301
15.3	Orifice - NG (#31)	No longer available	506-800
	Orifice - LP (#50)		446-801
15.4	Valve Bracket	No longer available	550-152
15.5	Flex Tube		567-301A
15.6	Valve - NG		060-522
	Valve - LP		060-523
15.7	Flex Ball Valve Assembly		SRV302-320
15.8	Wire Assembly		049-522A
15.9	ON/OFF Rocker Switch		060-521A
15.10	Piezo Ignitor		291-513

Additional service part numbers appear on following page.

