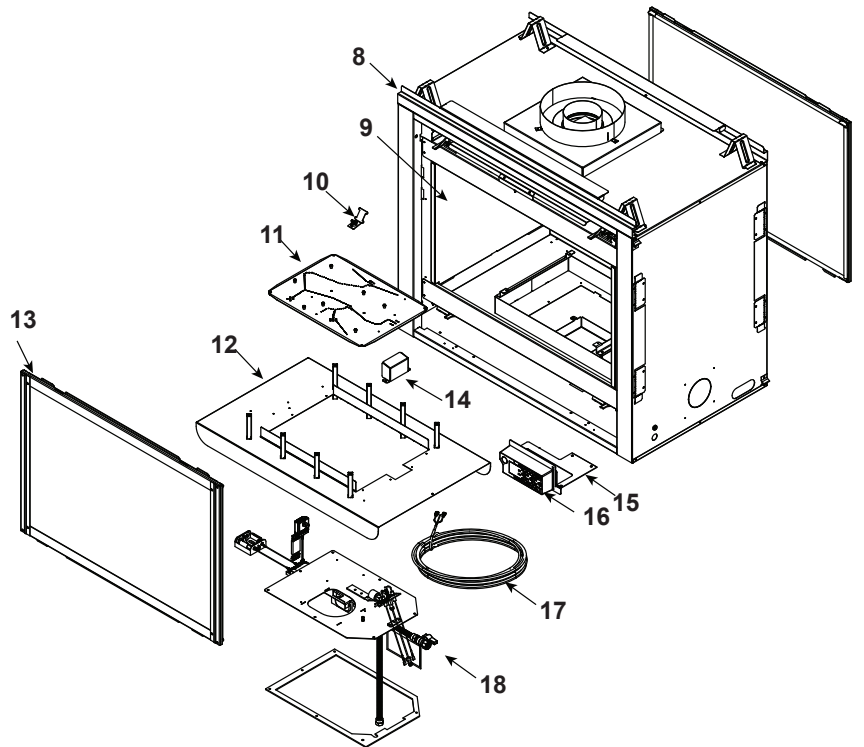
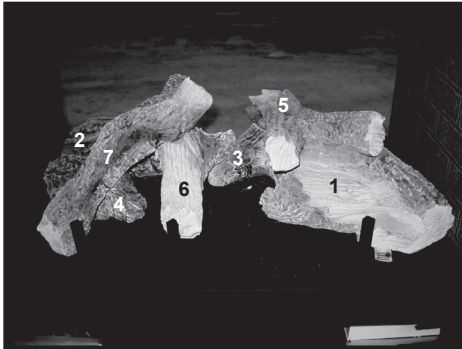


Log Set Assembly



IMPORTANT: THIS IS DATED INFORMATION. Parts must be ordered from a dealer or distributor. **Hearth and Home Technologies does not sell directly to consumers.** Provide model number and serial number when requesting service parts from your dealer or distributor.



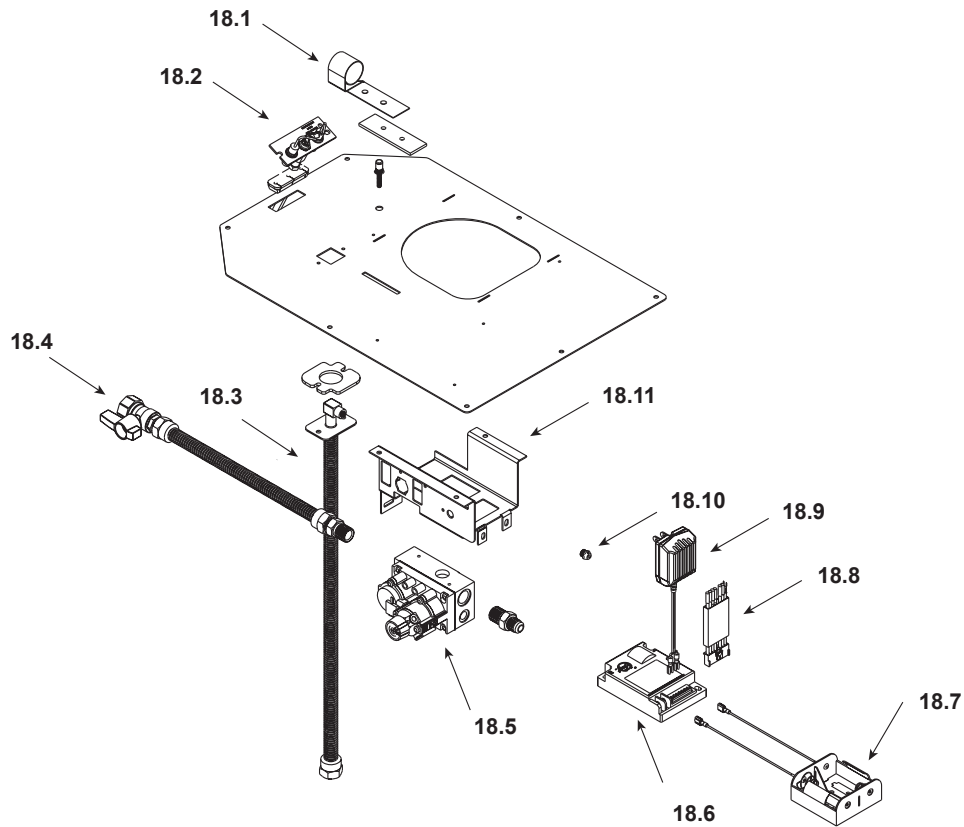
Stocked at Depot

ITEM	DESCRIPTION	COMMENTS	PART NUMBER	
	Log Set Assembly		LOGS-2128	Y
1	Log 1	No longer available, Must order complete assembly	SRV2128-701	
2	Log 2		SRV2128-702	
3	Log 3		SRV2128-703	
4	Log 4		SRV2128-706	
5	Log 5		SRV2128-704	
6	Log 6		SRV2128-705	
7	Log 7		SRV2128-707	
8	Sheetrock Ledge		2128-118	
9	Refractory		SRV2135-017	
10	Limit Switch Assembly		SRV2134-052	Y
11	Burner NG, LP		2128-007	Y
12	Base Pan/Grate Assembly		2128-005	
13	Glass Door Assembly	Qty 2 req	GLA-750TR	Y
14	Pilot Shield		2128-124	
15	Junction Box Bracket		2128-128	
16	Junction Box		SRV4021-013	Y
17	Thermostat Wire		SRV2118-170	Y
18	Valve Assembly	See diagram on following page		

No one builds a better fire

Beginning Manufacturing Date: Nov 2008
Ending Manufacturing Date: June 2013

#18 IPI Valve Assembly



IMPORTANT: THIS IS DATED INFORMATION. Parts must be ordered from a dealer or distributor. **Hearth and Home Technologies does not sell directly to consumers.** Provide model number and serial number when requesting service parts from your dealer or distributor.



**Stocked
at Depot**

ITEM	DESCRIPTION	COMMENTS	PART NUMBER	
18.1	Shutter Bracket Assembly		2118-121	Y
18.2	Pilot Assembly NG		SRV2090-012	Y
	Pilot Assembly LP		2090-013	Y
18.3	Flexible Gas Connector		530-302A	Y
18.4	Flex Ball Valve Assembly		SRV302-320	Y
18.5	Valve NG		750-500	Y
	Valve LP		750-501	Y
18.6	Module		SRV593-592	Y
18.7	Battery Pack		SRV593-594	Y
18.8	Module Wire Assembly		SRV593-590	Y
18.9	3 Volt Transformer		SRV593-593	Y
18.10	Orifice NG (#32C)		SRV582-832	Y
	Orifice LP (#50C)		582-850	Y
18.11	Valve Bracket		2118-104	
	2 in Jumper Wires		SRV2012-206	Y

Additional service part numbers appear on following page.



Service Parts

ST-36TVB-IPI

No one builds a better fire

Beginning Manufacturing Date: Nov 2008
Ending Manufacturing Date: June 2013

IMPORTANT: THIS IS DATED INFORMATION. Parts must be ordered from a dealer or distributor. Hearth and Home Technologies does not sell directly to consumers. Provide model number and serial number when requesting service parts from your dealer or distributor.



Stocked at Depot

Table with 5 columns: ITEM, DESCRIPTION, COMMENTS, PART NUMBER, Stocked at Depot. Rows include items like 72 Inch Wire Assembly, 80 Inch Wire Assembly, Gasket Assembly, Glass Latch Assembly, Mineral Wool, Lava Rock, Surround Overlay, Touch Up Paint, Conversion Kit NG, Conversion Kit LP, Pilot Orifice NG, Pilot Orifice LP, Regulator NG, and Regulator LP.