

**IMPORTANT: THIS IS DATED INFORMATION.** Parts must be ordered from a dealer or distributor. **Hearth and Home Technologies does not sell directly to consumers.** Provide model number and serial number when requesting service parts from your dealer or distributor.



**Stocked at Depot**

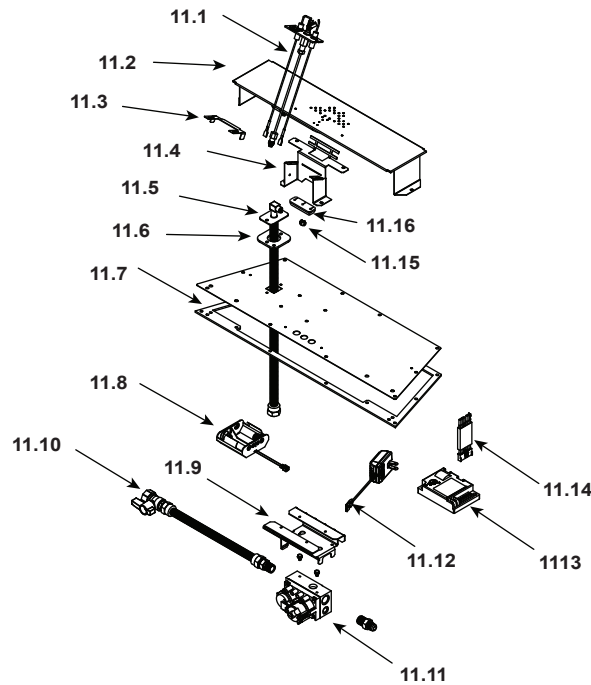
ITEM	DESCRIPTION	COMMENTS	PART NUMBER	
1	Heat Shield		2137-138	
2	Non-combustible Board (Outside)		2111-148	
	Bracket Non-combustible Board		SRV2111-128	
	Non-combustible Board (Inside)		2077-148	
3	Surround		SRV2077-112-BK	
4	Heat Shield Retainer		2137-134	
5	Reflective Panel		2137-135	
6	Stone Placement Jig	<b>No longer available</b>	2137-140	
7	Pilot Cover (Outer)		2137-137	
8	Pilot Cover (Inner)		2137-136	
9	Base Pan		2137-129	
10	Glass Door Assembly		GLA-SOHO24B	<b>Y</b>
11	Valve/ Burner Assembly		<b>Refer to valve page</b>	
12	Junction Box		SRV4021-013	<b>Y</b>
13	Wire, Wall Switch		2045-024	<b>Y</b>

Additional service part numbers appear on following page.

No one builds a better fire

Beginning Manufacturing Date: Aug 2007  
Ending Manufacturing Date: Dec 2013

### #11 IPI Valve Assembly



**IMPORTANT: THIS IS DATED INFORMATION.** Parts must be ordered from a dealer or distributor. **Hearth and Home Technologies does not sell directly to consumers.** Provide model number and serial number when requesting service parts from your dealer or distributor.



**Stocked at Depot**

ITEM	DESCRIPTION	COMMENTS	PART NUMBER	
11.1	Pilot Assembly NG		SRV2090-012	Y
	Pilot Assembly LP		2090-013	Y
11.2	Burner Assembly NG		2137-010	Y
	Burner Assembly LP		2137-011	Y
11.3	Pilot Cover Bracket		2137-141	
11.4	Pilot Bracket		2137-102	
11.5	Flexible Gas Connector		530-302A	Y
11.6	Burner Neck Gasket		438-407	
11.7	Valve Plate Gasket		SRV2077-138	
11.8	Battery Pack		SRV593-594	Y
11.9	Valve Bracket	No longer available	2111-186	
11.10	Flex Ball Valve Assembly		SRV302-320	Y
11.11	Valve NG		SRV593-500	Y
	Valve LP		SRV593-501	Y
11.12	3 Volt Transformer		SRV593-593	Y
11.13	Module		SRV593-592	Y
11.14	Module Wire Assembly		SRV593-590	Y
11.15	Orifice NG (#50C)		582-850	Y
	Orifice LP (#59C)		582-859	Y
11.16	Grommet, 3-Hole		SRV2118-420	

Additional service part numbers appear on following page.

