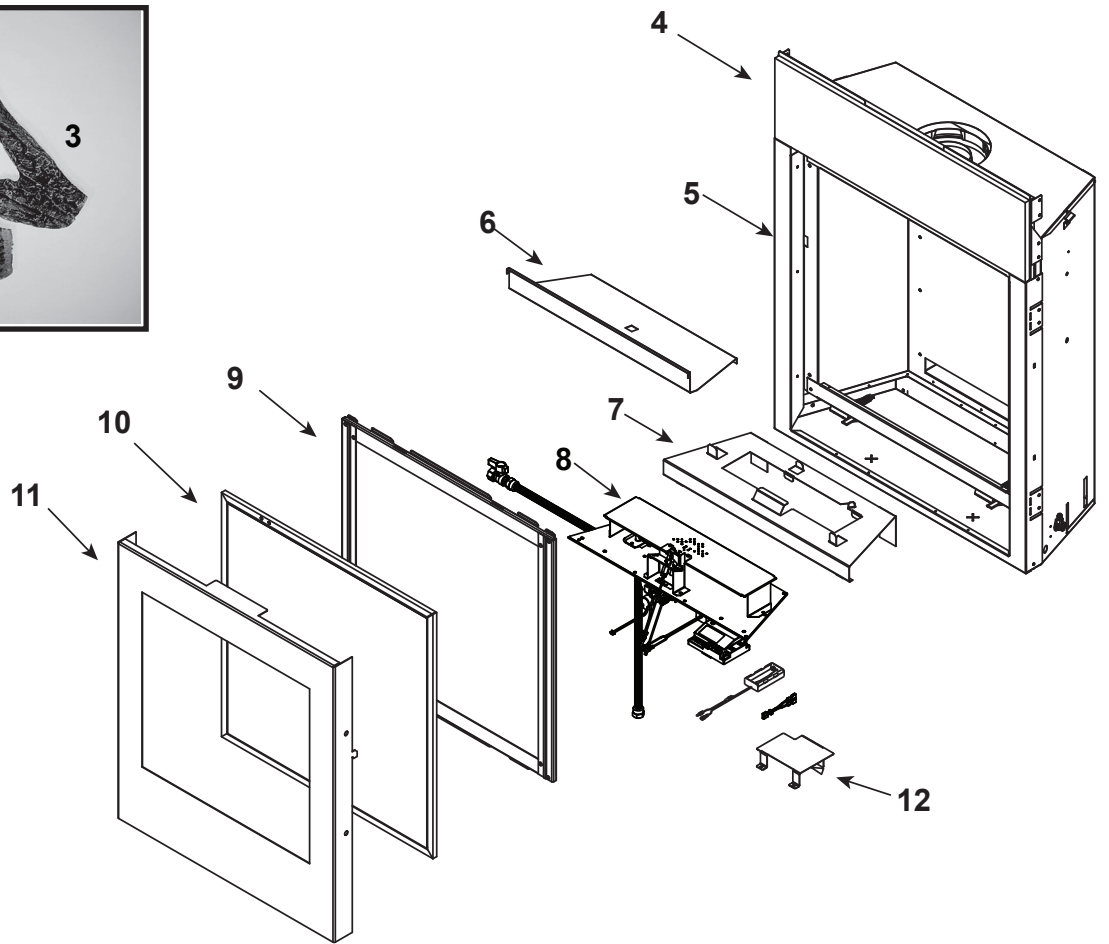


## Log Set Assembly



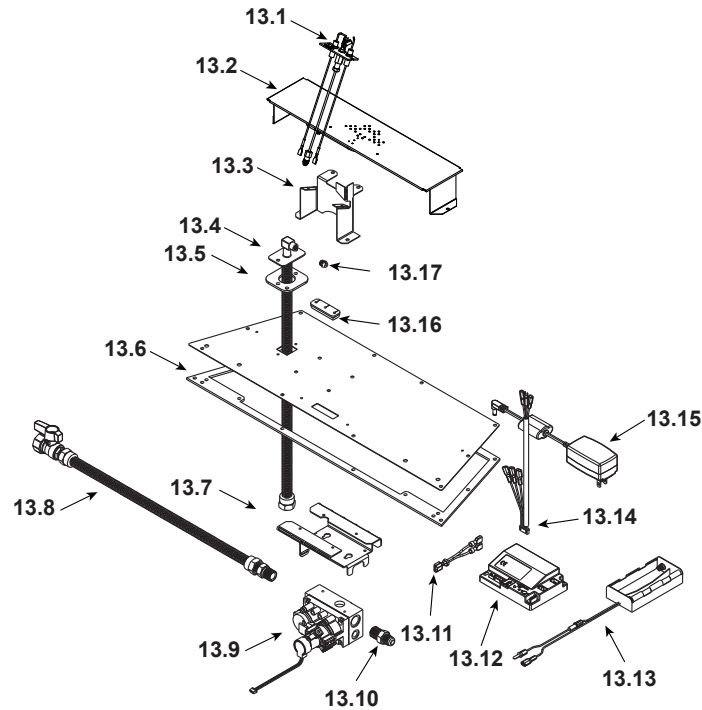
**IMPORTANT: THIS IS DATED INFORMATION.** Parts must be ordered from a dealer or distributor. **Hearth and Home Technologies does not sell directly to consumers.** Provide model number and serial number when requesting service parts from your dealer or distributor.

ITEM	PART DESCRIPTION	COMMENTS	PART NUMBER
	Log Set Assembly		LOGS-SOHOCE
1	Log 1	<b>No longer available, Must order complete assembly</b>	SRV2111-700
2	Log 2		SRV2111-701
3	Log 3		SRV2111-702
4	Non-combustible Board		2111-148
5	Surround		SRV2077-112-BK
6	Inner Restrictor		SRV2111-142-BK
7	Base Pan		SRV2111-101-BK
8	Burner Assembly N		SRV2111-020-BK
9	Glass Assembly		GLA-SOHOCE
10	Mesh Assembly		2077-011
11	Decorative Front	<b>No longer available</b>	DF-SOHOCE-BK
12	Module Heat Shield		SRV2111-166

No one builds a better fire

Beginning Manufacturing Date: Mar 2011  
Ending Manufacturing Date: May 21 2015

### #13 Valve Assembly



**IMPORTANT: THIS IS DATED INFORMATION.** Parts must be ordered from a dealer or distributor. **Hearth and Home Technologies does not sell directly to consumers.** Provide model number and serial number when requesting service parts from your dealer or distributor.

ITEM	PART DESCRIPTION	COMMENTS	PART NUMBER
13.1	Pilot Assembly N	Pre 0023549474	2198-014
		Post 0023549474	SRV2090-012
13.2	Burner Assembly N		SRV2111-020-BK
13.3	Pilot Bracket		SRV2111-123-BK
13.4	Flex Tube Assembly		530-302A
13.5	Burner Neck Gasket		438-407
13.6	Valve Plate Gasket		SRV2077-138
13.7	Valve Bracket		SRV2189-117
13.8	Flex Ball Valve Assembly		2098-320A
13.9	Valve N		SRV2166-302
13.10	Male Connector	Pkg of 5	303-315/5
13.11	Jumper Wire		SRV2187-198
13.12	Module , IPI 30 Gray		2166-306
13.13	Battery Pack**		4067-223
13.14	Wire Harness		2166-304
13.15	Transformer		SRV2326-131
13.16	3-Hole Grommet		SRV2118-420
13.17	Burner Orifice N (#50C)		582-850

\*\*Fuse for battery pack can be sourced locally, not a warranty item. Specs are 500mA~10A 3/4" long

Additional service part numbers on the following page.

