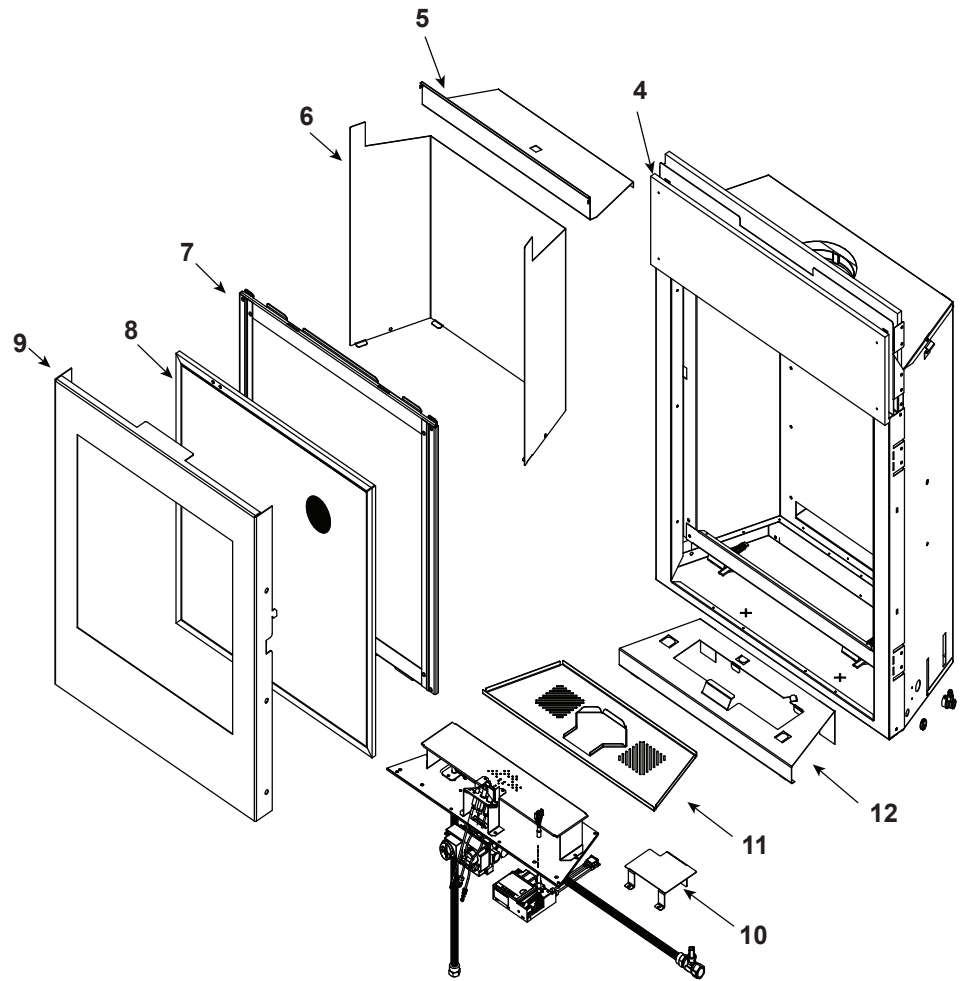


Log Set Assembly



IMPORTANT: THIS IS DATED INFORMATION. Parts must be ordered from a dealer or distributor. **Hearth and Home Technologies does not sell directly to consumers.** Provide model number and serial number when requesting service parts from your dealer or distributor.

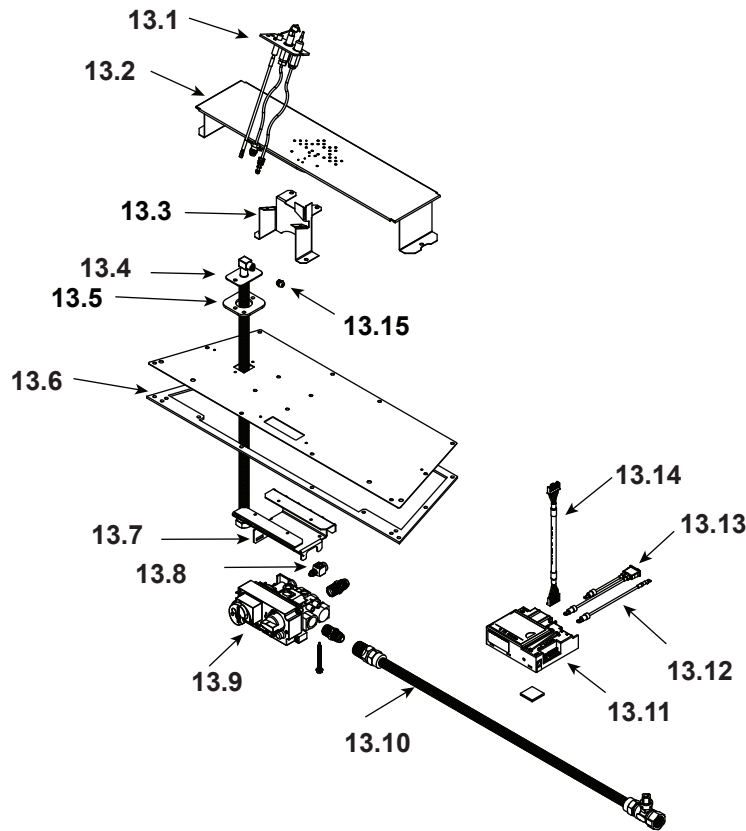
ITEM	PART DESCRIPTION	COMMENTS	PART NUMBER
	Log Set Assembly		LOGS-SOHOCE
1	Log 1	No longer available, Must order complete assembly	SRV2111-700
2	Log 2		SRV2111-701
3	Log 3		SRV2111-702
4	Non-combustible Board	No longer available	2111-248
5	Inner Restrictor		SRV2111-142-BK
6	Porcelain Panel Insert (Optional)	No longer available	SohoCE-SSLINER
7	Glass Assembly		GLA-SOHOCE
8	Mesh Assembly		2077-011
9	Decorative Front	No longer available	DF-SOHOCE-BK
10	Module Heat Shield		SRV2111-166
11	Flame Pan	No longer available	2111-127
12	Base Pan		SRV2111-101-BK

No one builds a better fire

Beginning Manufacturing Date: June 2009

Ending Manufacturing Date: Feb 2011

#13 Valve Assembly



IMPORTANT: THIS IS DATED INFORMATION. Parts must be ordered from a dealer or distributor. **Hearth and Home Technologies does not sell directly to consumers.** Provide model number and serial number when requesting service parts from your dealer or distributor.

ITEM	PART DESCRIPTION	COMMENTS	PART NUMBER
13.1	Pilot Assembly		2098-050
13.2	Burner Assembly		SRV2111-020-BK
13.3	Pilot Bracket		SRV2111-123-BK
13.4	Flex Tube Assembly		530-302A
13.5	Burner Neck Gasket		438-407
13.6	Valve Plate Gasket		SRV2077-138
13.7	Valve Bracket	No longer available	2111-186
13.8	Thermocouple block	No longer available	2098-146
13.9	Valve N	No longer available	SRV2111-017
13.10	Flex Ball Valve Assembly	No longer available	2098-022
13.11	Module	No longer available	2098-142
13.12	Block Control Wire	No longer available	2098-148
13.13	Switch Assembly	No longer available	2098-145
13.14	Control Cable	No longer available	2098-143
13.15	Burner Orifice (#50C)		582-850

Additional service part numbers on the following page.

