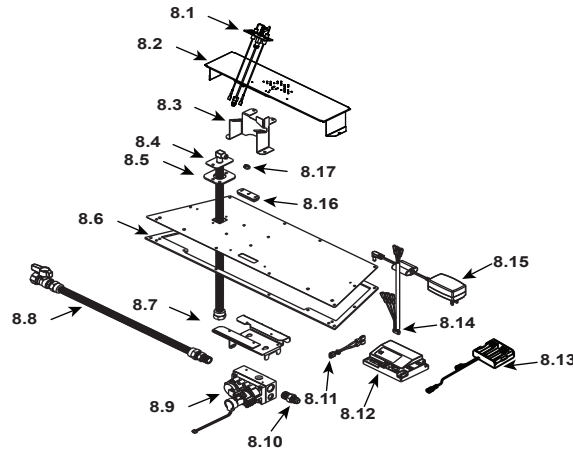


**IMPORTANT: THIS IS DATED INFORMATION.** Parts must be ordered from a dealer or distributor. **Hearth and Home Technologies does not sell directly to consumers.** Provide model number and serial number when requesting service parts from your dealer or distributor.

ITEM	PART DESCRIPTION	COMMENTS	PART NUMBER
	Log Set Assembly		LOGS-SOHOCE
1	Log 1	<b>No longer available, Must order complete assembly</b>	SRV2111-700
2	Log 2		SRV2111-701
3	Log 3		SRV2111-702
4	Non-combustible Board		2111-148
5	Surround		SRV2077-112-BK
6	Inner Restrictor		SRV2111-142-BK
7	Base Pan		SRV2111-101-BK
8	Burner Assembly/Valve Assembly		<b>Refer to Valve page</b>
9	Glass Assembly		GLA-SOHOCE
10	Mesh Assembly		2077-011
11	Decorative Front	<b>No longer available</b>	DF-SOHOCE-BK
	Door, Soho-CE Black w/Mesh		STUDIO-CE-BK-M
	Door, Shoh-CE Brushed Nickel w/Glass	<b>No longer available</b>	STUDIO-CE-BN-G
	Retro Standoff Assembly Mesh		STUDIO-M-R
	Retro Standoff Assembly Glass	<b>No longer available</b>	STUDIO-G-R
12	Module Heat Shield		SRV2111-166
13	Reset Switch Assembly	<b>No longer available</b>	SRV2111-060

### #8 Valve Assembly



**IMPORTANT: THIS IS DATED INFORMATION.** Parts must be ordered from a dealer or distributor. **Hearth and Home Technologies does not sell directly to consumers.** Provide model number and serial number when requesting service parts from your dealer or distributor.

ITEM	PART DESCRIPTION	COMMENTS	PART NUMBER
8.1	Pilot Assembly N	Pre 0023583618	2198-014
		Post 0023583618	SRV2090-012
	Pilot Assembly B & P	Pre 0023583618	2198-015
		Post 0023583618	2090-013
8.2	Burner Assembly N		SRV2111-020-BK
	Burner Assembly P		SRV2111-022-BK
	Burner Assembly B		2111-024
8.3	Pilot Bracket		SRV2111-123-BK
8.4	Flex Tube Assembly		530-302A
8.5	Burner Neck Gasket		438-407
8.6	Valve Plate Gasket		SRV2077-138
8.7	Valve Bracket		SRV2189-117
8.8	Flex Ball Valve Assembly		2098-320A
8.9	Valve N		SRV2166-302
	Valve B & P		2166-303
8.10	Male Connector	Pkg of 5	303-315/5
8.11	Jumper Wire		SRV2187-198
8.12	Module , IPI 30 Gray		2166-306
8.13	Battery Pack**		SRV2166-323
8.14	Wire Harness		2166-304
8.15	Transformer		SRV2326-131
8.16	3-Hole Grommet		SRV2118-420
8.17	Burner Orifice N (#50C)		582-850
	Burner Orifice P (#58C)		582-858
	Burner Orifice B (#61C)		582-861

\*\*Fuse for battery pack can be sourced locally, not a warranty item.

Additional service part numbers on the following page.



Service Parts

**SOHO-B-CEB, -N-CEB, -P-CEB**


No one builds a better fire

Beginning Manufacturing Date: Jan 2004

Ending Manufacturing Date: April 2018

SOHO-B-CEB Ending Manufacturing Date: May2014

IMPORTANT: THIS IS DATED INFORMATION. Parts must be ordered from a dealer or distributor. **Hearth and Home Technologies does not sell directly to consumers.** Provide model number and serial number when requesting service parts from your dealer or distributor.

ITEM	PART DESCRIPTION	COMMENTS	PART NUMBER
	Bracket, Header		SRV2111-128
	Glass Latch Assembly	Pkg of 2	33858/2
	Glass Latch Assembly	Qty 2 req	339-121A
	Heat Shield		SRV2166-718
	Junction Power Cord-240 V		2166-374
	JunperWire, Wall Switch		SRV2179-300
	Mineral Wool Embers		050-721
	Non-comb Board		2077-148
	Rocker Switch		SRV2206-299
	Rope Ring		045-455
	Wire Assembly, Reset Module	<b>No longer available</b>	2201-030
	Conversion Kits		
	Natural Gas to Propane or Butane		N2PB-SOHO-CEB
	Propane or Butane to Natural Gas		PB2N-SOHO-CEB
	Propane to Butane or Butane to Propane		P2B-SOHO-CEB
	Pilot Orifice N	Pre 0023583618	2098-520
		Post 0023583618	SRV593-528
	Pilot Orifice P	Pre 0023583618	SRV2098-512
		Post 0023583618	SRV593-527
	Pilot Orifice B	Post 0023583618	593-529
	Regulator N		NGK-DXV-50
	Regulator P		SRVLPK-DXV-50
	<b>Optional Accessories</b>		
	Blower, RC300, & AUX 300 CE	<b>No longer available</b>	GFK-240V-RC300
	Reflective Panel Liner	<b>No longer available</b>	SohoCE-SSLINER
<b>Rock Media Option</b>			
			
	Rock Media	<b>No longer available</b>	MEDIA-BK-GEMS
		<b>No longer available</b>	MEDIA-WH-GEMS
		River Rock	MEDIA-STONES
	Rock Media with Liner and Flame pan	<b>No longer available</b>	SohoCE-ONYX
		<b>No longer available</b>	SohoCE-OPAL
		<b>No longer available</b>	SohoCE-Rock
	Wireless Wall Switch		RC100-HNG