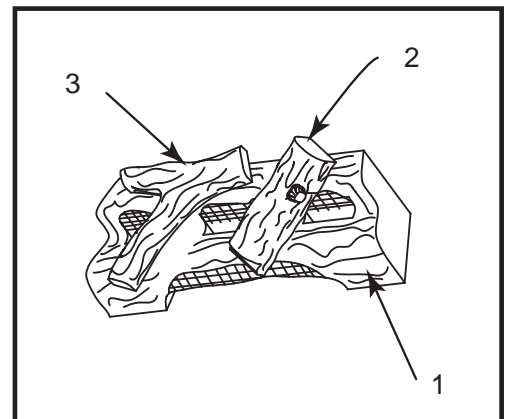


Log Set Assembly



Part number list on following page.

IMPORTANT: THIS IS DATED INFORMATION. When requesting service or replacement parts for your appliance please provide model number and serial number. All parts listed in this manual may be ordered from an authorized dealer.



**Stocked
at Depot**

ITEM	DESCRIPTION	SERIAL #	PART NUMBER	
	Log Set Assembly		LOGS-TVBLD	Y
1	Log 1		SRV452-701	N
2	Log 2		SRV94-725	N
3	Log 3		SRV98-724	N
4	Burner Orifice Rear NG (#44A)		041-800	Y
4	Burner Orifice LP (#55A)		041-801	Y
5	Burner NG, LP		429-176A	Y
6	Glass Door Assembly		GLA-TVBLD	Y
7	Hood		SRV453-143	N
	Junction Box	Standing Pilot	100-250A	Y
		DSI	100-254A	Y
	Valve NG		060-500	Y
	Valve LP		060-501	Y
	Pilot Assembly NG		446-512A	Y
	Pilot Assembly PL		446-513A	Y
	Thermopile		060-512	Y
	Thermocouple		446-511	Y
	Piezo Ignitor		291-513	Y
	Burner Tube		477-301A	Y
	High Temp Limit Switch		060-531	Y
	ON/OFF Rocker Switch		060-511	Y
	Touch Up Paint		TUPB-12	N
	Conversion Kit NG		NGK-32S	Y
	Conversion Kit LP		LPK-32S	Y
	Pilot Orifice NG		446-505	Y
	Pilot Orifice PL		446-517	Y
	Regulator NG		060-516	Y
	Regulator LP		060-519	Y
DSI Components				
Ram system Only				
	Valve NG, LP		476-500	Y
	Ignitor		501-591	Y
	Module		501-592	Y
Fenwall System Only				
	Valve NG		462-500	Y
	Valve LP		462-501	Y
	Ignitor		416-591	Y
	Module		398-592	Y
	Transformer		060-599	Y