

IMPORTANT: THIS IS DATED INFORMATION. When requesting service or replacement parts for your appliance please provide model number and serial number. All parts listed in this manual may be ordered from an authorized dealer.



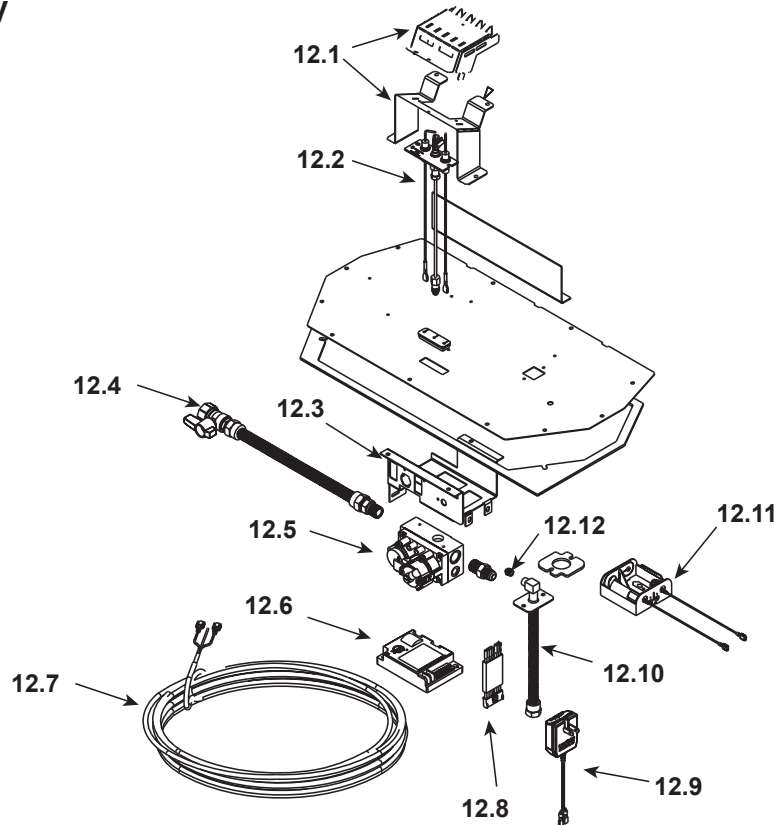
**Stocked
at Depot**

ITEM	DESCRIPTION	COMMENTS	PART NUMBER	
1	Elbow Heat Shield		SRV2143-168	
2	Sheet Rock Ledge	No longer available	2184-147	
3	Top Panel, Finishing Edge	No longer available	2184-102	
4	Non Combustible Board, Top	No longer available	2198-403	
5	Non Combustible Board, Side	No longer available	2198-404	
6	Base Pan	No longer available	SRV2143-115-BK	
7	Burner NG		2143-007	Y
	Burner LP		2143-008	Y
8	Pilot Bracket	No longer available	2143-123	
9	Glass Door Assembly		GLA-SLR	Y
10	Junction Box		SRV4021-013	Y
11	Lower Cover Panel		SRV2184-103-BK	

No one builds a better fire

Beginning Manufacturing Date: July 2008
Ending Manufacturing Date: May 2009

#12 IPI Valve Assembly



IMPORTANT: THIS IS DATED INFORMATION. When requesting service or replacement parts for your appliance please provide model number and serial number. All parts listed in this manual may be ordered from an authorized dealer.



Stocked
at Depot

ITEM	DESCRIPTION	COMMENTS	PART NUMBER	
12.1	Pilot Bracket Kit	No longer available	SRV2143-174	
12.2	Pilot Assembly NG		SRV2090-012	Y
	Pilot Assembly LP		2090-013	Y
12.3	Valve Bracket		2118-104	
12.4	Flex Ball Valve Assembly		SRV302-320	Y
12.5	Valve NG		SRV593-500	Y
	Valve LP		SRV593-501	Y
12.6	Module		SRV593-592	Y
12.7	Thermostat Wire Assembly		SRV2118-170	Y
12.8	Module Wire Assembly		SRV593-590	Y
12.9	3 Volt Transformer		SRV593-593	Y
12.10	Bulkhead W/Flex Tube		SRV7000-156	Y
12.11	Battery Pack		SRV593-594	Y
12.12	Orifice NG (#42C)		582-842	Y
	Orifice LP (.057C)		582-057	Y
	Jumper Wires 21 in		SRV2012-206	Y

Additional service part numbers appear on following page.

