

**IMPORTANT: THIS IS DATED INFORMATION.** Parts must be ordered from a dealer or distributor. **Hearth and Home Technologies does not sell directly to consumers.** Provide model number and serial number when requesting service parts from your dealer or distributor.

ITEM	DESCRIPTION	COMMENTS	PART NUMBER
1	Non-Comb Ledge		2493-104
2	Top Fill		2493-135
3	Non-Comb Assembly		2493-079
4	Base Pan		2491-111
5	Burner Assembly		2491-007
6	Valve Assembly		See Following Page
7	Glass Assembly		GLA-SLR-X-AU
8	Lower Panel		2653-103
9	Heat Shield, SL Linear		2493-129
10	Blower Assembly		2264-500A
11	Header Heat Shield		2118-120

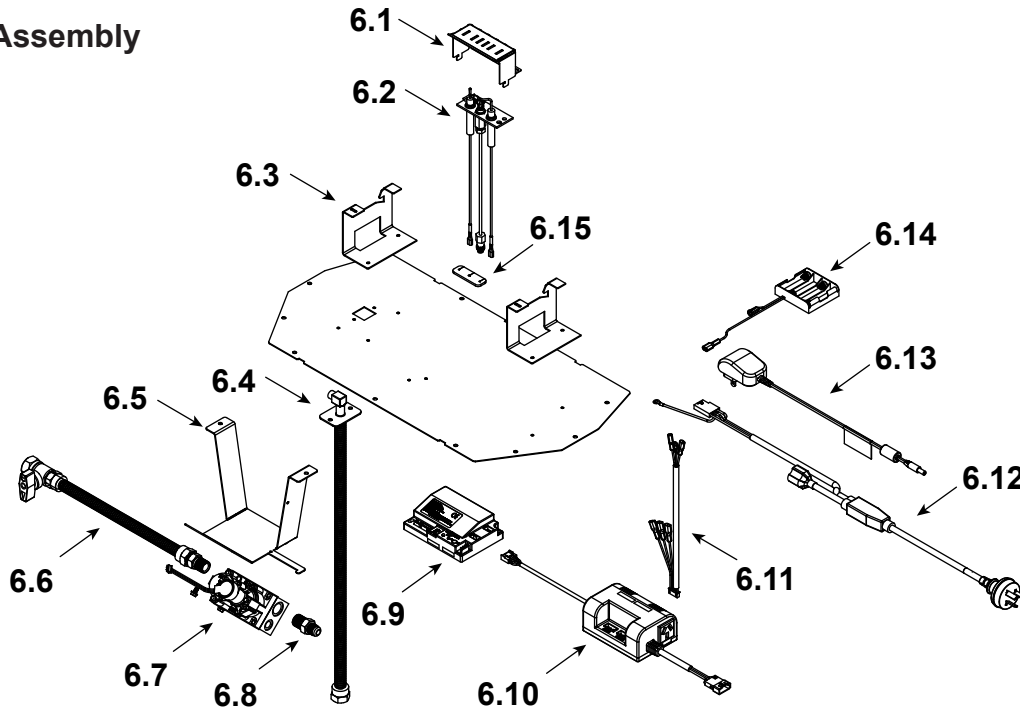
Additional service part numbers appear on following page.

No one builds a better fire

Beginning Manufacturing Date: Dec2017

Ending Manufacturing Date: June 2020

### #6 Valve Assembly



IMPORTANT: THIS IS DATED INFORMATION. Parts must be ordered from a dealer or distributor. **Hearth and Home Technologies does not sell directly to consumers.** Provide model number and serial number when requesting service parts from your dealer or distributor.

ITEM	DESCRIPTION	COMMENTS	PART NUMBER
6.1	Pilot Shield		2491-123
6.2	Pilot Assembly N		2106-169
	Pilot Assembly P & ULPG		2106-170
6.3	Burner Support,	1 Set	2491-169
6.4	Bulkhead W/Flex Tube		4021-428
6.5	Valve Bracket		2491-153
6.6	Flex Ball Valve Assembly		SRV302-320
6.7	Valve N		2166-302
	Valve P & ULPG		2166-303
6.8	Male Connector	Pkg of 5	303-315/5
6.9	Module, Gray		2166-306
6.10	AUX300-CE		2166-340
6.11	Wiring Harness		2166-304
6.12	Power Cord Assembly		2222-037
6.13	Transformer, 6 Volt Wall		SRV2326-131
6.14	Battery Pack		SRV2166-323
6.15	Grommet		SRV2118-420
	Orifice N (#37)		582-837
	Orifice ULPG (#.057)		582-057
	Orifice P (#53)		582-853

Additional service part numbers appear on following page.

