

IMPORTANT: THIS IS DATED INFORMATION. Parts must be ordered from a dealer or distributor. **Hearth and Home Technologies does not sell directly to consumers.** Provide model number and serial number when requesting service parts from your dealer or distributor.



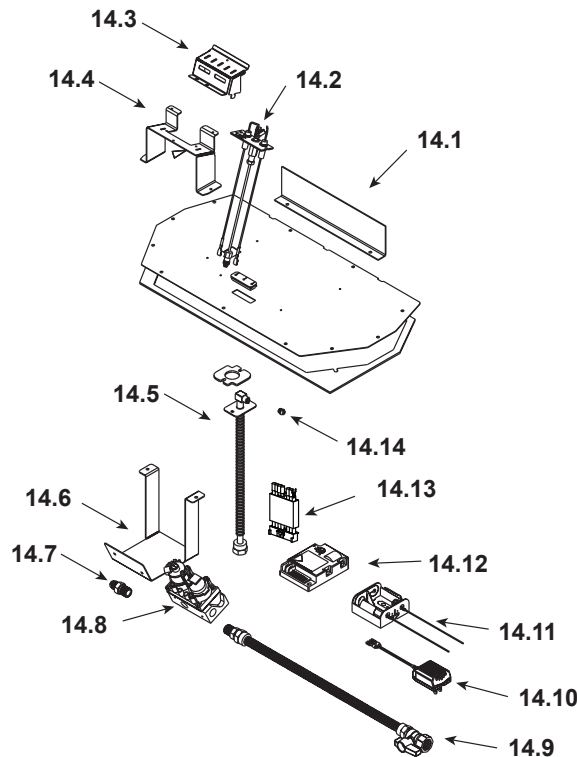
Stocked at Depot

ITEM	DESCRIPTION	COMMENTS	PART NUMBER	
1	Sheet Rock Ledge	No longer available	2184-147	
2	Finish Edge	Right	SRV2195-118-BK	
		Left	SRV2195-119-BK	
3	Lower Cover Panel		SRV2184-103-BK	
4	Top Panel Finishing Edge	No longer available	2184-102	
5	Non Combustible Board	No longer available	2198-405	
6	Media Tray	No longer available	SRV2198-114-BK	
7	Burner NG		SRV2184-007-BK	Y
	Burner LP		2184-008	Y
8	Base Pan		2198-115	
9	Glass Door Assembly		GLA-SLR	Y
10	Junction box		SRV4021-013	Y
11	Bracket, Junction Box	Pre Dec 2009	N/A	
		Post Dec 2009	SRV2195-154	
12	Thermostat Wire Assembly		SRV2118-170	Y
13	Nailing Tab	No longer available	2198-200	

No one builds a better fire

Beginning Manufacturing Date: May 2009
Ending Manufacturing Date: June 2012

#14 Valve Assembly



IMPORTANT: THIS IS DATED INFORMATION. Parts must be ordered from a dealer or distributor. **Hearth and Home Technologies does not sell directly to consumers.** Provide model number and serial number when requesting service parts from your dealer or distributor.



Stocked at Depot

ITEM	DESCRIPTION	COMMENTS	PART NUMBER	
14.1	Bracket		SRV2143-143	
14.2	Pilot Assembly NG		SRV2090-012	Y
	Pilot Assembly LP		2090-013	Y
14.3	Pilot Shield	No longer available	SRV2184-123-BK	
14.4	Pilot Bracket		2198-174	
14.5	Bulkhead W/Flex Tube		383-302A	Y
14.6	Valve Bracket	No longer available	2198-153	
14.7	Male Connector	Pkg of 5	303-315/5	Y
14.8	Valve NG		SRV593-500	Y
	Valve LP		SRV593-501	Y
14.9	Flex Ball Valve Assembly		2098-320A	Y
14.10	3 Volt Transformer		SRV593-593	Y
14.11	Battery Pack		SRV593-594	Y
14.12	Module		SRV593-592	Y
14.13	Module Wire Assembly		SRV593-590	Y
14.14	Orifice NG (#42C)		582-842	Y
	Orifice LP (.057C)		582-057	Y
	Jumper Wires 21 in	Pre Dec 2009	SRV2012-206	Y
		Post Dec 2009	N/A	

Additional service part numbers appear on following page.

