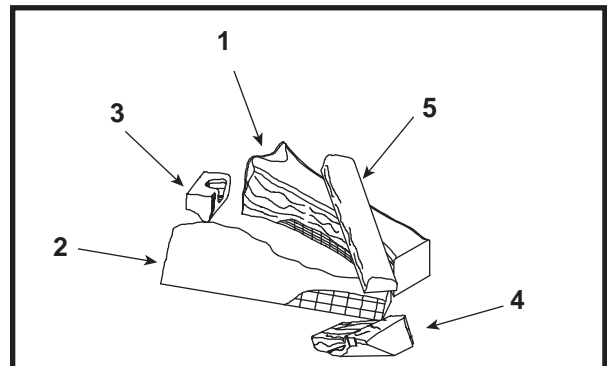


### Log Set Assembly



Part number list on following page.

No one builds a better fire

Service Parts List

Beginning Manufacturing Date: May 1995

Ending Manufacturing Date: March 1999

IMPORTANT: THIS IS DATED INFORMATION. When requesting service or replacement parts for your appliance please provide model number and serial number. All parts listed in this manual may be ordered from an authorized dealer.



**Stocked  
at Depot**

ITEM	DESCRIPTION	SERIAL #	PART NUMBER	
	Log Set Assembly		LOGS-SL36S	Y
1	Log 1		SRV459-701	N
2	Log 2		SRV459-702	N
3	Log 3		SRV446-714	N
4	Log 4		SRV446-706	N
5	Log 5		SRV459-703	N
6	Junction Box		100-250A	Y
7	Grate Assembly		459-362A	N
8	Burner Assembly		446-176A	Y
9	Glass Door Assembly NG	Pre 16699	GLA-DV36	Y
		Post 16999	GLA-6FL	Y
	Glass Door Assembly LP	Pre 3407	GLA-DV36	Y
		Post 3407	GLA-6FL	Y
10	Surround	<b>No longer available</b>	414-360	N
11	Decorative front		DF-36H	N
12	Hood		SRV60-143-BK	N
13	Base Refractory		SRV459-337	N
	Burner Tube		477--301A	Y
	Flex Ball Valve Assembly		302-320A	Y
	On/Off Rocker Switch		060-521A	Y
	Orifice NG (#42B)		046-800	Y
	Orifice LP (#54B)		040-801	Y
	Piezo Ignitor		291-513	Y
	Pilot Assembly NG		446-510A	Y
	Pilot Assembly LP		25661	Y
	Thermopile		2103-512	Y
	Thermocouple		446-511	Y
	Pilot Tube		446-301	Y
	Valve NG		060-520	Y
	Valve LP		060-521	Y
	Touch Up Paint		TUPB-12	N
	Conversion Kit NG		NGK-SL36-4	Y
	Conversion Kit LP		LPK-SL36-4	Y
	Pilot Orifice NG		446-505	Y
	Pilot Orifice LP		446-517	Y
	Regulator NG		060-504	Y
	Regulator LP		060-516	Y

DSI Components on following page.

