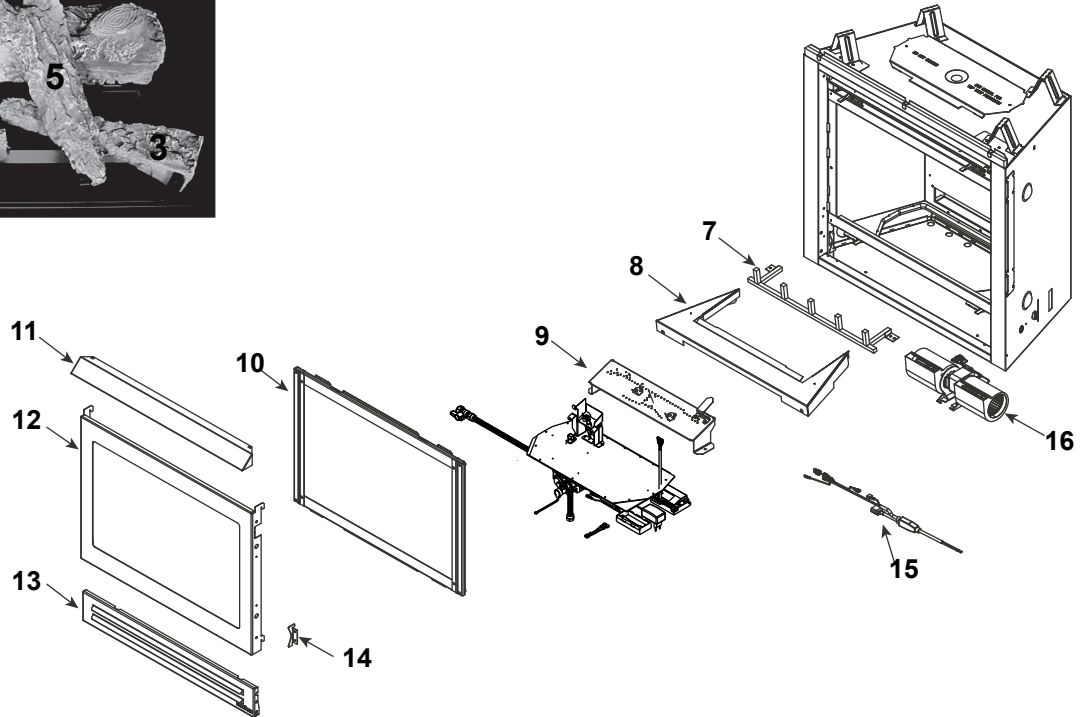
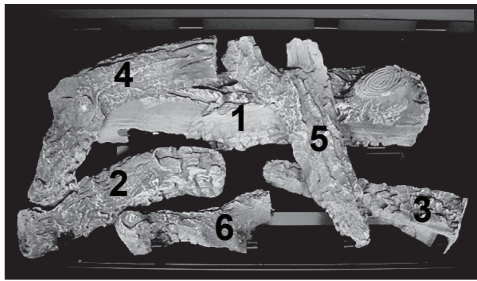


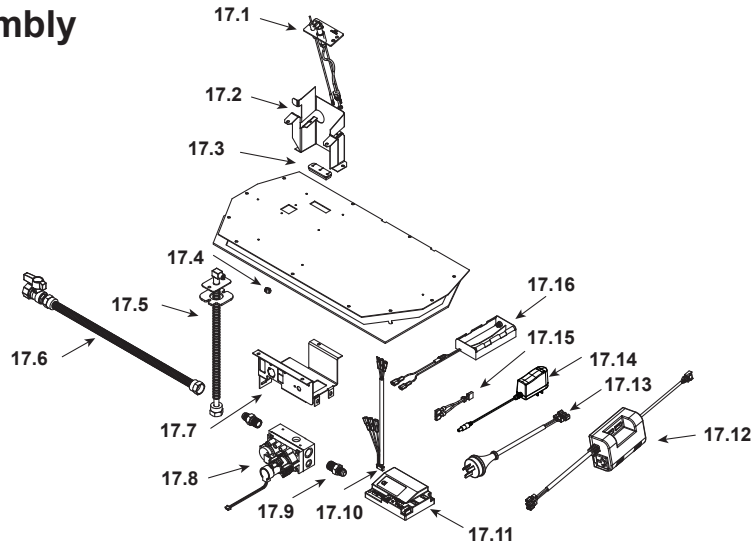
### Log Set Assembly



**IMPORTANT: THIS IS DATED INFORMATION.** Parts must be ordered from a dealer or distributor. **Hearth and Home Technologies does not sell directly to consumers.** Provide model number and serial number when requesting service parts from your dealer or distributor.

ITEM	DESCRIPTION	COMMENTS	PART NUMBER
	Log Set Assembly		LOGS-350CE-D
1	Log #1	<b>No longer available, must order complete assembly</b>	SRV327-701
2	Log #2		SRV2033-701
3	Log #3		SRV705-703
4	Log #4		SRV530-716
5	Log #5		SRV438-724
6	Log #6		SRV540-704
7	Grate Assembly	<b>No longer available</b>	SRV2033-013
8	Base Pan	<b>No longer available</b>	SRV2033-105
9	Burner Assembly N		2089-010
	Burner Assembly P		2089-012
10	Glass Assembly		GLA-3504TRS
11	Hood	<b>No longer available</b>	SRV540-174
12	Dress Guard		2033-020
13	Lower Door Assembly	<b>No longer available</b>	2033-042
14	Lower Door Stop		2033-125
15	Power Cord Assembly		2166-374
16	Blower 240 Volt Assembly , Optional		GFK-240V

### #17 Valve Assembly



IMPORTANT: THIS IS DATED INFORMATION. Parts must be ordered from a dealer or distributor. **Hearth and Home Technologies does not sell directly to consumers.** Provide model number and serial number when requesting service parts from your dealer or distributor.

ITEM	DESCRIPTION	COMMENTS	PART NUMBER
17.1	Pilot Assembly N	Pre 0022995989	2198-014
		Post 0022995989	SRV2090-012
	Pilot Assembly P	Pre 0022995989	2198-015
		Post 0022995989	2090-013
17.2	Pilot Bracket	<b>No longer available</b>	SRV2089-104
17.3	3 Hole Grommet		SRV2118-420
17.4	Orifice N (#44C)		582-844
	Orifice P (#55C)		582-855
	Orifice B (#56C)		582-856
17.5	12 in Flex Tube Assembly		383-302A
17.6	18 in Flex Tube Assembly		2098-320A
17.7	Valve Bracket		2118-104
17.8	Valve N		SRV2166-302
	Valve P		2166-303
17.9	Male Connector	Pkg of 5	303-315/5
17.10	Wire Harness		2166-304
17.11	Module, Gray		2166-306
17.12	Aux300 CE (Optional)		2166-340
17.13	Jumper Wire, Fan to Aux (Optional)		2166-375
17.14	Transformer, Switched DC Regulator		SRV2326-131
17.15	Jumper wire		SRV2187-198
17.16	Battery Pack**		4067-223

\*\*Fuse for battery pack can be sourced locally, not a warranty item. Specs are 500mA~10A 3/4" long

Additional service parts appear on following page.

