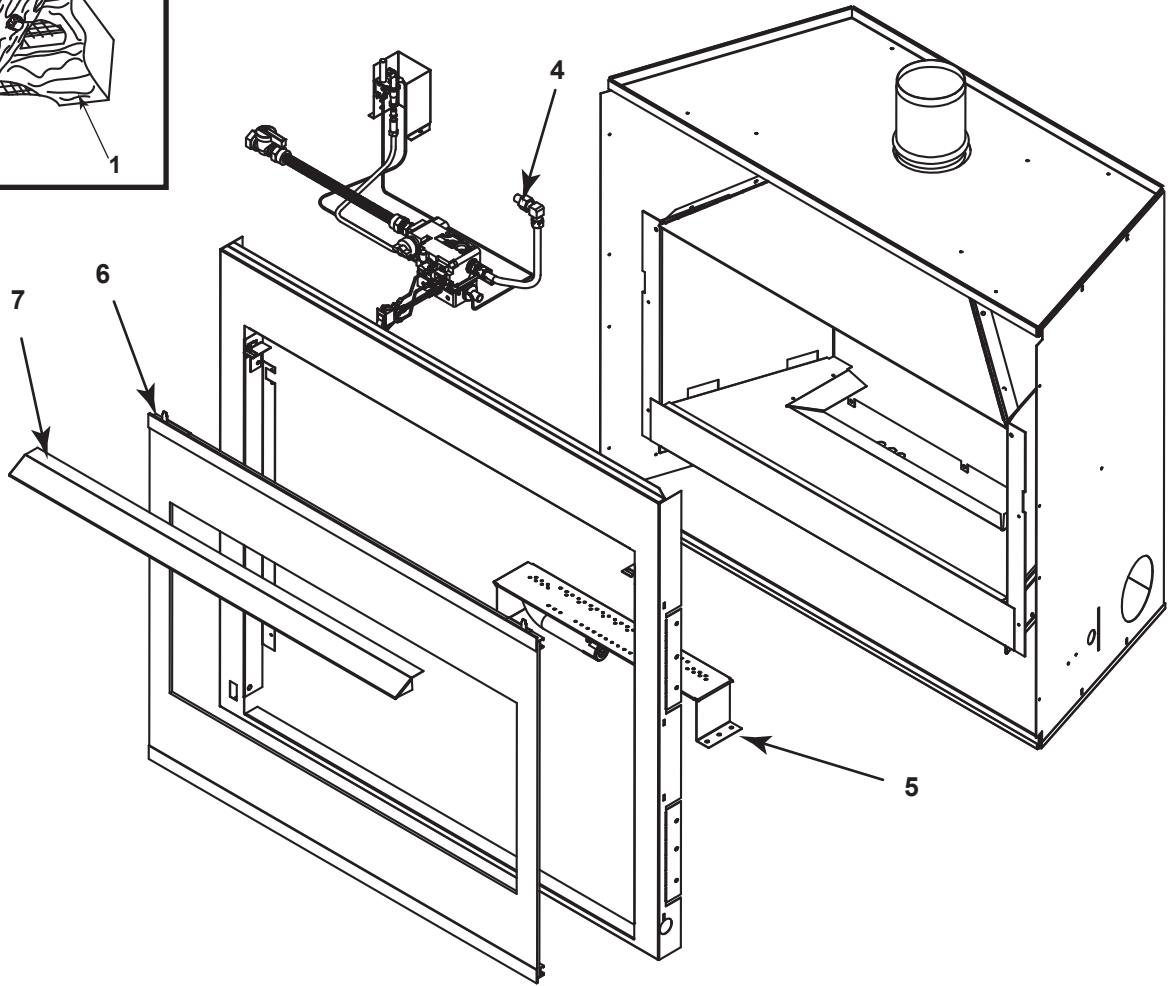
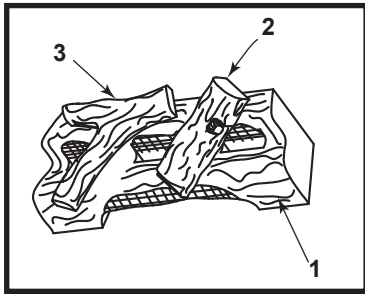


Log Set Assembly



IMPORTANT: THIS IS DATED INFORMATION. Parts must be ordered from a dealer or distributor. **Hearth and Home Technologies does not sell directly to consumers.** Provide model number and serial number when requesting service parts from your dealer or distributor.



Stocked at Depot

ITEM	DESCRIPTION	COMMENTS	PART NUMBER
	Log Set Assembly	No longer available	LOGS-TVBLD
1	Log 1	No longer available	SRV452-701
2	Log 2	No longer available	SRV94-725
3	Log 3	No longer available	SRV98-724
4	Burner Orifice Rear NG (#44A)	No longer available	041-800
4	Burner Orifice LP (#55A)	No longer available	041-801
5	Burner NG, LP	No longer available	429-176A
6	Glass Door Assembly	No longer available	GLA-TVBLD
7	Hood	No longer available	SRV453-143

No one builds a better fire

Beginning Manufacturing Date: May 1997
Ending Manufacturing Date: April 1998

IMPORTANT: THIS IS DATED INFORMATION. Parts must be ordered from a dealer or distributor. **Hearth and Home Technologies does not sell directly to consumers.** Provide model number and serial number when requesting service parts from your dealer or distributor.



**Stocked
at Depot**

ITEM	DESCRIPTION	COMMENTS	PART NUMBER	
	Burner Tube		477-301A	Y
	High Temp Limit Switch	No longer available	060-531	
	Junction Box	Standing Pilot	100-250A	Y
		No longer available	100-254A	
	ON/OFF, Switch		SRV32D0232	Y
	Piezo Ignitor		291-513	Y
	Pilot Assembly NG		446-512A	Y
	Pilot Assembly LP		446-513A	Y
	Thermopile		2103-512	Y
	Thermocouple		446-511	Y
	Remote		SMART-STAT-HHT	
	Touch Up Paint		TUPB-12	
	Valve NG		060-500	Y
	Valve LP		060-501	Y
	Conversion Kit NG	No longer available	NGK-32S	
	Conversion Kit LP	No longer available	LPK-32S	
	Pilot Orifice NG		SRV446-505	Y
	Pilot Orifice LP		SRV446-517	Y
	Regulator NG		SRV060-516	Y
	Regulator LP		060-519	Y
DSI Components				
	Ram system Only			
	Valve NG, LP		476-500	Y
	Ignitor		501-591	Y
	Module	No longer available	501-592	
	Fenwall System Only			
	Valve NG	No longer available	SRV462-500	
	Valve LP	No longer available	SRV462-501	
	Ignitor	No longer available	416-591	
	Module	No longer available	398-592	
	Transformer	No longer available	060-599	