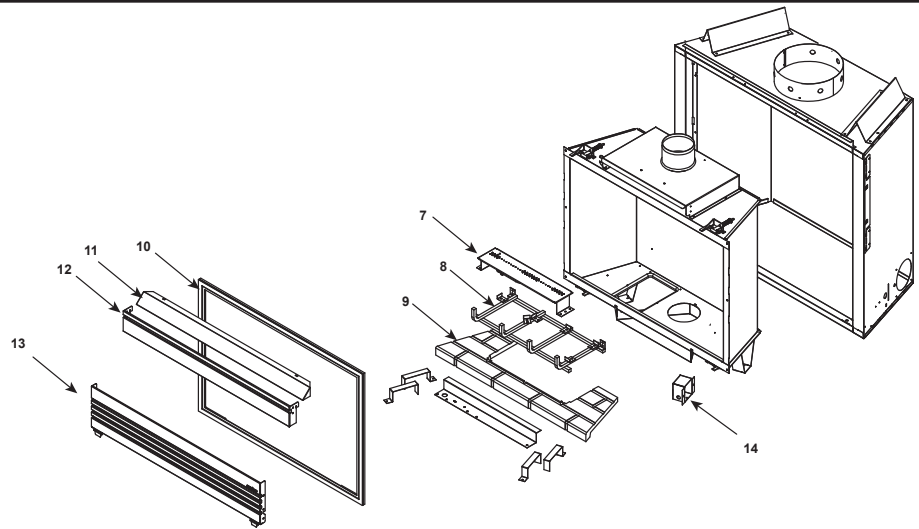
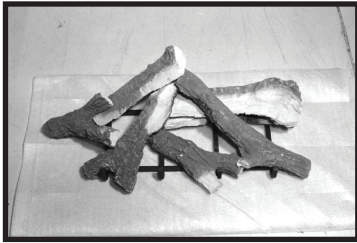


### Log Set Assembly



IMPORTANT: THIS IS DATED INFORMATION. Parts must be ordered from a dealer or distributor. **Hearth and Home Technologies does not sell directly to consumers.** Provide model number and serial number when requesting service parts from your dealer or distributor.



**Stocked at Depot**

ITEM	DESCRIPTION	COMMENTS	PART NUMBER	
	Log Set Assembly		LOGS-950	Y
1	Log 1	<b>No longer available, Must order complete assembly</b>	SRV530-711	
2	Log 2		SRV402-701	
3	Log 3		SRV560-703	
4	Log 4		SRV560-702	
5	Log 5		SRV560-704	
6	Log-6		SRV569-707	
7	Burner NG		560-231A	Y
	Burner LP		560-233A	Y
8	Grate Assembly	<b>No longer available</b>	560-360A	
9	Base Refractory NG	<b>No longer available</b>	SRV560-337	
		<b>No longer available</b>	SRV560-339	
	Base Refractory LP	<b>No longer available</b>	SRV560-337	
		<b>No longer available</b>	SRV560-339	
10	Glass Door Assembly		GLA-950TR	Y
11	Hood		SRV560-175	
12	Top Louver NG	<b>No longer available</b>	DF-950T	
		<b>No longer available</b>	560-256A	
	Top Louver LP	<b>No longer available</b>	DF-950T	
		<b>No longer available</b>	560-256A	
13	Bottom Louver NG	<b>No longer available</b>	DF-950B	
		<b>No longer available</b>	560-257A	
	Bottom Louver LP	<b>No longer available</b>	DF-950B	
		<b>No longer available</b>	560-257A	
14	Junction Box	Standing Pilot	100-250A	Y
		<b>No longer available</b>	100-254A	



Service Parts

SL-950TV & SL-950TV-DSI

Beginning Manufacturing Date: Mar 1998  
Ending Manufacturing Date: Feb 2001

No one builds a better fire

IMPORTANT: THIS IS DATED INFORMATION. Parts must be ordered from a dealer or distributor. **Hearth and Home Technologies does not sell directly to consumers.** Provide model number and serial number when requesting service parts from your dealer or distributor.



Stocked at Depot

ITEM	DESCRIPTION	COMMENTS	PART NUMBER	
	Burner Tube		477-301A	Y
	Fan Kit		GFK-160A	
	Flex Ball Valve Assembly 18 in		531-320A	Y
	Glass Latch Assembly	Pkg of 2	386-122A/2	Y
	High Temp Limit Switch		SRV4021-383	Y
	Mineral Wool		050-721	
	On/ Off Rocker Switch		060-521A	Y
	Orifice NG (#36A)	No longer available	079-831	
	Orifice LP (#51A)	No longer available	079-803	
	Remote		SMART-STAT-HHT	
	Touch Up Paint		TUPB-12	
<b>Standing Pilot Valve Components and Conversion kits</b>				
	12 in Wire Assembly	No longer available	049-552A	
	Piezo Ignitor		291-513	Y
	Pilot Assembly NG		4021-736	Y
	Pilot Assembly LP		4021-737	Y
	Thermocouple		446-511	Y
	Thermopile		2103-512	Y
	Pilot Tube		SRV485-301	Y
	Valve NG		060-520	Y
	Valve LP		060-521	Y
	Wire Assembly	No longer available	505-501A	
	Wire Assembly	No longer available	505-502A	
	Conversion Kit NG	No longer available	NGK-95TR	
	Conversion Kit LP	No longer available	LPK-95TR	
	Pilot Orifice NG		SRV446-505	Y
	Pilot Orifice LP		SRV446-517	Y
	Regulator NG		SRV060-504	Y
	Regulator LP		SRV060-516	Y
<b>DSI Valve Components</b>				
	51 in Wire Assembly	No longer available	065-577A	
	73 in Wire Assembly	No longer available	073-554A	
	Ignitor		501-591	Y
	Module	No longer available	501-592	
	Valve NG		492-500	Y
	Valve LP	No longer available	492-501	
	Wire Harness 20 in		107-558A	Y