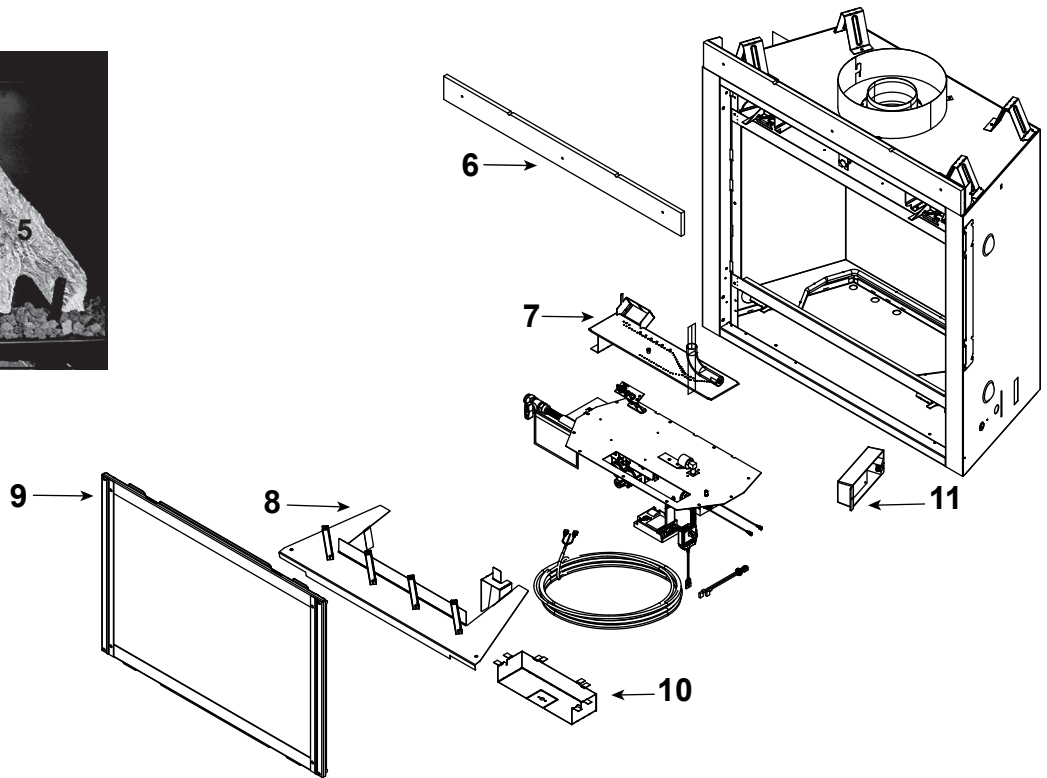


Log Set Assembly



IMPORTANT: THIS IS DATED INFORMATION. Parts must be ordered from a dealer or distributor. **Hearth and Home Technologies does not sell directly to consumers.** Provide model number and serial number when requesting service parts from your dealer or distributor.



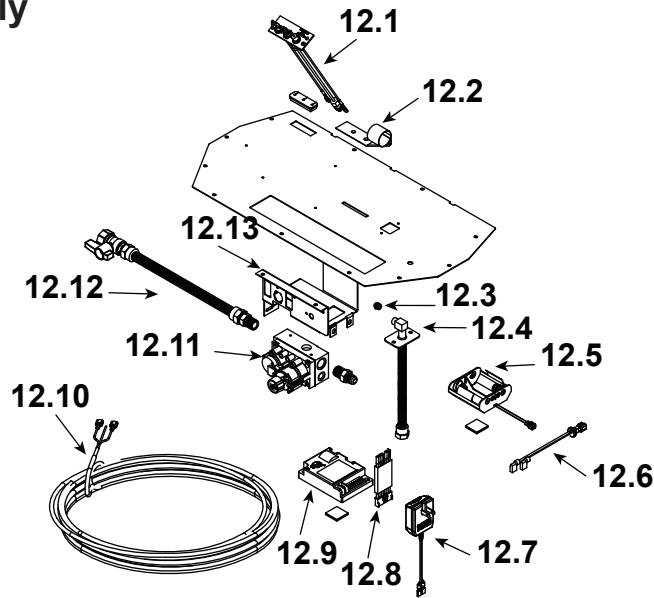
Stocked at Depot

ITEM	DESCRIPTION	COMMENTS	PART NUMBER	
	Log Set Assembly		LOGS-950-E	Y
1	Log 1	No longer available, Must order complete assembly	SRV2121-701	
2	Log 2		SRV2121-702	
3	Log 3		SRV2118-703	
4	Log 4		SRV2121-704	
5	Log 5		SRV2121-705	
6	Non-Combustible Board		560-401	
7	Burner NG, LP		SRV2121-007	Y
8	Grate Assembly		2121-015	
9	Glass Door Assembly		GLA-950TR	Y
10	Air Chute	No longer available	2119-154	
11	Junction Box		SRV4021-013	Y
	Folio Front	Black	FOL-950-BK	
	Glass Latch Assembly	Pkg of 2	33858/2	Y
	High Limit Switch		SRV4021-383	Y
	Lava Rock		4021-297	
	Mineral Wool		050-721	
	Touch Up Paint		TUP-GBK-12	

No one builds a better fire

Beginning Manufacturing Date: Dec 2014
Ending Manufacturing Date: Jun 2016

#12 Valve Assembly



IMPORTANT: THIS IS DATED INFORMATION. Parts must be ordered from a dealer or distributor. **Hearth and Home Technologies does not sell directly to consumers.** Provide model number and serial number when requesting service parts from your dealer or distributor.



**Stocked
at Depot**

ITEM	DESCRIPTION	COMMENTS	PART NUMBER	
12.1	Pilot Assembly NG		SRV2090-012	Y
	Pilot Assembly LP		2090-013	Y
	Pilot Tube		SRV485-301	Y
12.2	Shutter Bracket Assembly		2118-121	Y
12.3	Orifice NG (#37C)		582-837	Y
	Orifice LP (#52C)		SRV582-852	Y
12.4	Flexible Gas Connector		SRV7000-156	Y
12.5	Battery Pack		SRV593-594	Y
12.6	Wire Assembly 80" & 72"		522-504A	Y
12.7	3 Volt Transformer		SRV593-593	Y
12.8	Module Wire Assembly		SRV593-590	Y
12.9	Module		SRV593-592	Y
12.10	Thermostat Wire Assembly		SRV2118-170	Y
12.11	Valve NG		750-500	Y
	Valve LP		750-501	Y
12.12	Flex Ball Valve Assembly		SRV302-320	Y
12.13	Valve Bracket		2118-104	
	Conversion Kit NG		NGK-950IPIE	Y
	Conversion Kit LP		LPK-950IPIE	Y
	Pilot Orifice NG		SRV593-528	Y
	Pilot Orifice LP		SRV593-527	Y
	Regulator NG		SRVNGK-DXV	Y
	Regulator LP		SRVLPK-DXV	Y