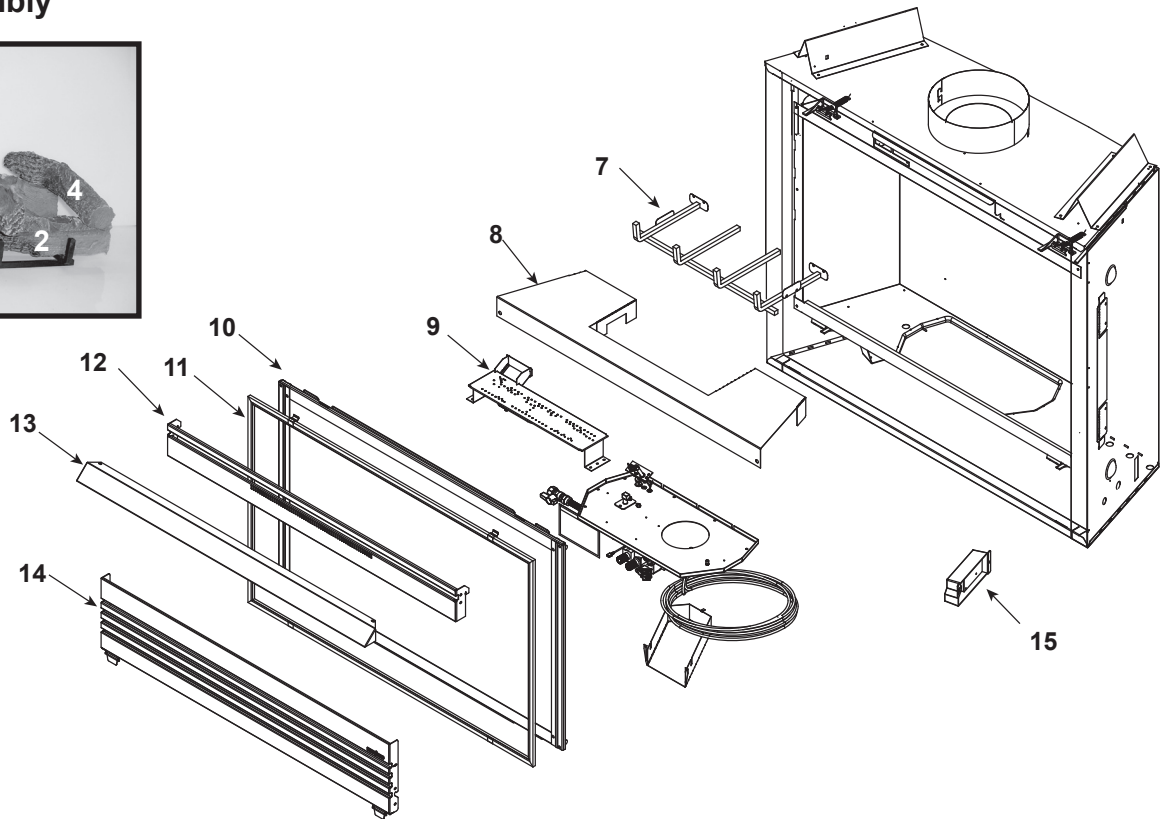
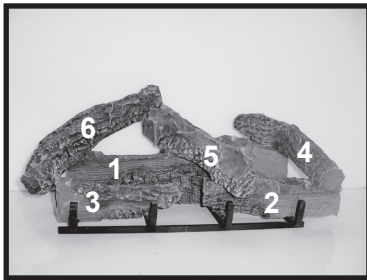


Log Set Assembly



IMPORTANT: THIS IS DATED INFORMATION. Parts must be ordered from a dealer or distributor. **Hearth and Home Technologies does not sell directly to consumers.** Provide model number and serial number when requesting service parts from your dealer or distributor.



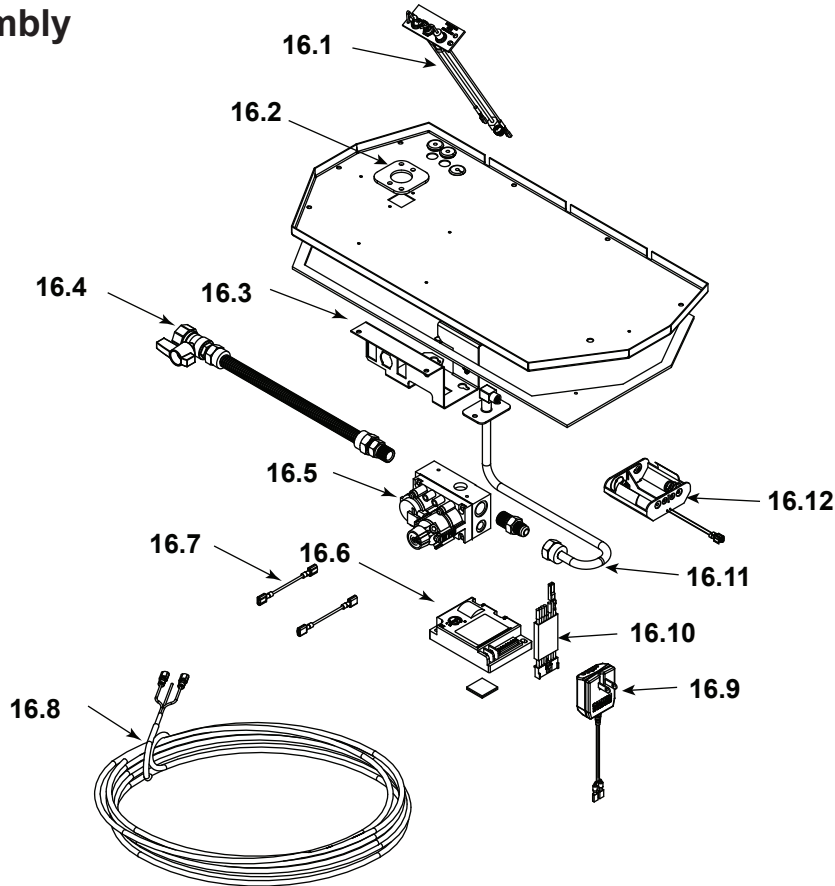
Stocked at Depot

ITEM	DESCRIPTION	COMMENTS	PART NUMBER	
	Log Set Assembly		LOGS-SL750-D	Y
1	Log 1	No longer available, Must order complete assembly	SRV2045-700	
2	Log 2		SRV530-719	
3	Log 3		SRV530-718	
4	Log 4		SRV2045-702	
5	Log 5		SRV2045-703	
6	Log 6		SRV2045-701	
7	Log Grate	No longer available	2045-040	
8	Base Refractory	No longer available	2046-108	
9	Burner NG, LP	Pre 0021076046	534-211A	Y
		Post 0021076046	534-017	Y
10	Glass Door Assembly		GLA-950TR	Y
11	Mesh Assembly		560-382A	Y
12	Louver, Top	No longer available	560-259A	
13	Hood		SRV560-175	
14	Louver, Bottom	No longer available	560-257A	
15	Junction Box		SRV4021-013	Y

No one builds a better fire

Beginning Manufacturing Date: April 2004
Ending Manufacturing Date: June 2007

#16 Valve Assembly



IMPORTANT: THIS IS DATED INFORMATION. Parts must be ordered from a dealer or distributor. **Hearth and Home Technologies does not sell directly to consumers.** Provide model number and serial number when requesting service parts from your dealer or distributor.



**Stocked
at Depot**

ITEM	DESCRIPTION	COMMENTS	PART NUMBER	
16.1	Pilot Assembly NG	Pre 0021076046	SRV4021-730	Y
		Post 0021076046	SRV2090-012	Y
	Pilot Assembly LP	Pre 0021076046	SRV4021-731	Y
		Post 0021076046	2090-013	Y
16.2	Burner Neck Gasket		438-407	
16.3	Valve Bracket	No longer available	2025-101	
16.4	Flex Ball Valve Assembly		SRV302-320	Y
16.5	Valve NG		750-500	Y
	Valve LP		750-501	Y
16.6	Module		SRV593-592	Y
16.7	Jumper Wires		SRV2012-206	Y
16.8	Thermostat Wire Assembly		2045-024	Y
16.9	3 Volt Transformer		SRV593-593	Y
16.10	Module Wire Assembly		SRV593-590	Y
16.11	Flexible Gas Connector		530-302A	Y
16.12	Battery Pack		SRV593-594	Y

Additional service part numbers appear on following page.



No one builds a better fire

Beginning Manufacturing Date: April 2004
Ending Manufacturing Date: June 2007

IMPORTANT: THIS IS DATED INFORMATION. Parts must be ordered from a dealer or distributor. **Hearth and Home Technologies does not sell directly to consumers.** Provide model number and serial number when requesting service parts from your dealer or distributor.



Stocked at Depot

ITEM	DESCRIPTION	COMMENTS	PART NUMBER	
	5" Wire Harness	No longer available	065-577A	
	1/4 Female Spades Wire	No longer available	505-501A	
	Burner Orifice NG (#36C)		582-836	Y
	Burner Orifice LP (#51C)		SRV582-851	Y
	Fan Kit		GFK-160A	
	Glass Latch Assembly	Pkg of 2	386-122A/2	Y
	Ground Strap	No longer available	385-512	
		No longer available	N/A	
	High Limit Switch		SRV4021-383	Y
	Mineral Wool		050-721	
	Pilot Bracket	No longer available	530-164	
		No longer available	N/A	
	Pilot Assembly Support	No longer available	N/A	
		No longer available	N/A	
	Remote		SMART-STAT-HHT	
	Touch Up Paint		TUP-GBK-12	
	Conversion Kit NG	No longer available	NGK-950IPIC	
	Conversion Kit LP	No longer available	LPK-950IPIC	
	Pilot Orifice NG	Pre 0021076046	SRV446-505	Y
		Post 0021076046	SRV593-528	Y
	Pilot Orifice LP	Pre 0021076046	SRV446-517	Y
		Post 0021076046	SRV593-527	Y
	Regulator NG		SRVNGK-DXV	Y
	Regulator LP		SRVLPK-DXV	Y