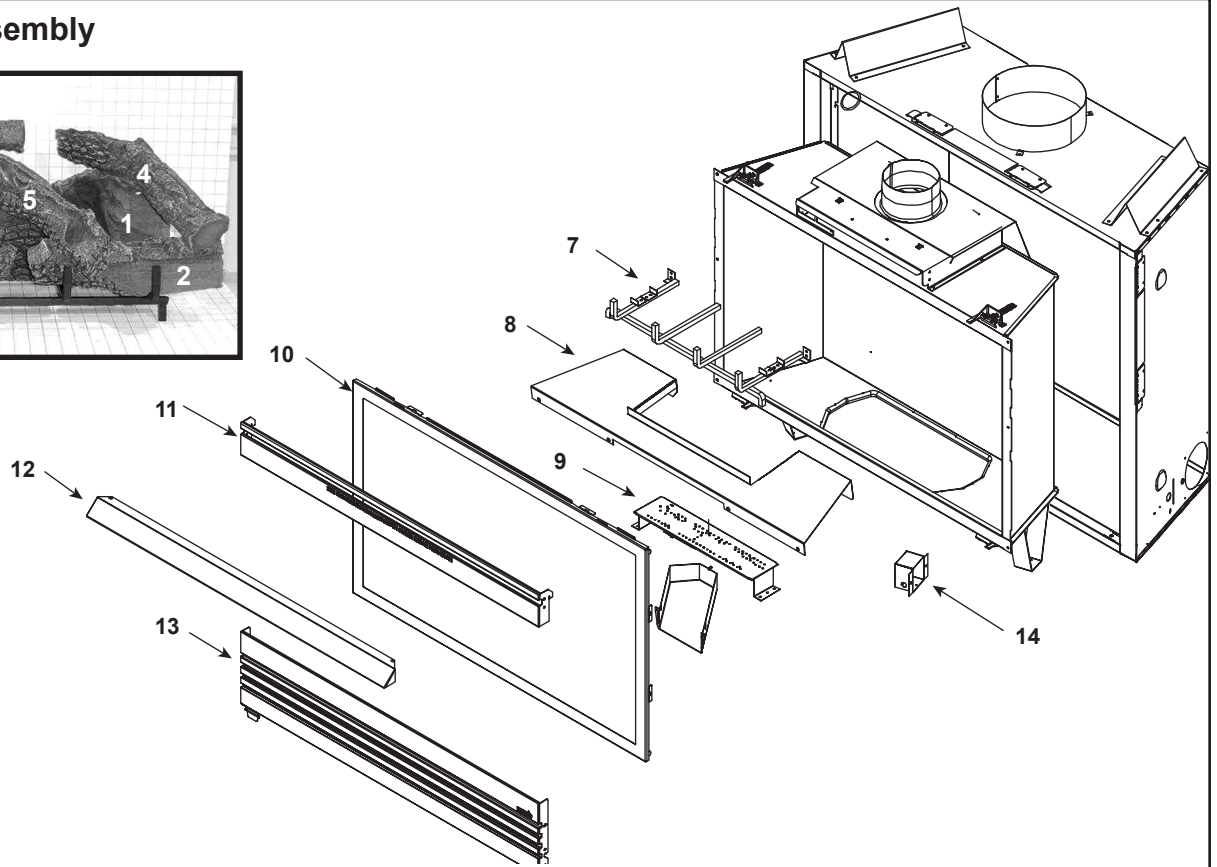
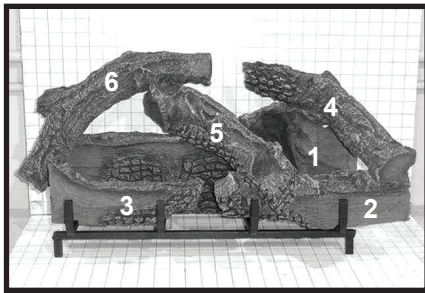


Log Set Assembly



IMPORTANT: THIS IS DATED INFORMATION. Parts must be ordered from a dealer or distributor. **Hearth and Home Technologies does not sell directly to consumers.** Provide model number and serial number when requesting service parts from your dealer or distributor.



Stocked at Depot

ITEM	DESCRIPTION	COMMENTS	PART NUMBER	
	Log Set Assembly		LOGS-SL750	Y
1	Log 1	No longer available, Must order complete assembly	SRV530-714	
2	Log 2		SRV530-719	
3	Log 3		SRV530-718	
4	Log 4		SRV530-716	
5	Log 5		SRV530-717	
6	Log 6		SRV530-715	
7	Grate Assembly	No longer available	530-361A	
8	Base Refractory	No longer available	560-117	
9	Burner NG, LP		534-211A	Y
10	Glass Door Assembly		GLA-950TR	Y
11	Top Louver	No longer available	560-259A	
12	Hood		SRV560-175	
13	Bottom Louver	No longer available	560-257A	
14	Junction Box	Standing Pilot	100-250A	Y
		No longer available	100-254A	



Service Parts

SL-950TV-C & SL-950TV-DSI-C

No one builds a better fire

Beginning Manufacturing Date: Feb 2001
 (DSI) Ending Manufacturing Date: Mar 2001
 (SP) Ending Manufacturing Date: May 2004

IMPORTANT: THIS IS DATED INFORMATION. Parts must be ordered from a dealer or distributor. **Hearth and Home Technologies does not sell directly to consumers.** Provide model number and serial number when requesting service parts from your dealer or distributor.



Stocked at Depot

ITEM	DESCRIPTION	COMMENTS	PART NUMBER	
	Fan Kit		GFK-160A	
	Flex Ball Valve Assembly		SRV302-320	Y
	Glass Latch Assembly	Pkg of 2	386-122A/2	Y
	High Temp Limit Switch		SRV4021-383	Y
	Mesh Assembly		560-382A	Y
	Mineral Wool		050-721	
	Orifice NG (#36C)		582-836	Y
	Orifice LP (#51C)		SRV582-851	Y
	Remote		SMART-STAT-HHT	
	Touch Up Paint		TUPB-12	
Standing Pilot Valve Components and Conversion kits				
	12 in Wire Assembly	No longer available	049-552A	
	Flex Tube Assembly 18 in		530-302A	Y
	On / Off Rocker Switch		060-521A	Y
	Piezo Ignitor		291-513	Y
	Pilot Assembly NG		2103-010	Y
	Pilot Assembly LP		2103-011	Y
	Thermocouple		446-511	Y
	Thermopile		2103-512	Y
	Pilot Tube		SRV485-301	Y
	Valve NG		060-522	Y
	Valve LP		060-523	Y
	Wire Assembly	No longer available	505-501A	
	Conversion Kit NG	No longer available	NGK-950TR-C	
	Conversion Kit LP	No longer available	LPK-950TR-C	
	Pilot Orifice NG		SRV446-505	Y
	Pilot Orifice LP		SRV446-517	Y
	Regulator NG		SRV060-504	Y
	Regulator LP		SRV060-516	Y
DSI Valve Components				
	51 in Wire Assembly	No longer available	065-577A	
	73 in Wire Assembly	No longer available	073-554A	
	Burner Tube		567-301A	Y
	Ignitor		501-591	Y
	Module	No longer available	501-592	
	On/Off, Switch		SRV32D0232	Y
	Valve		476-500	Y
	Wire Harness 20 in		107-558A	Y