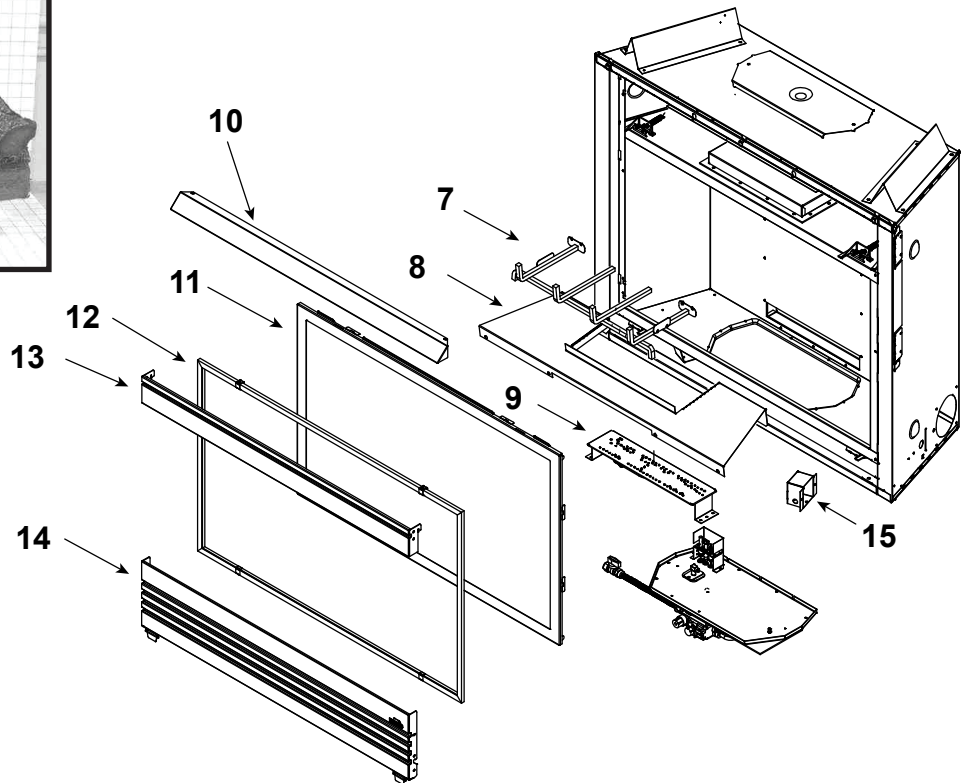
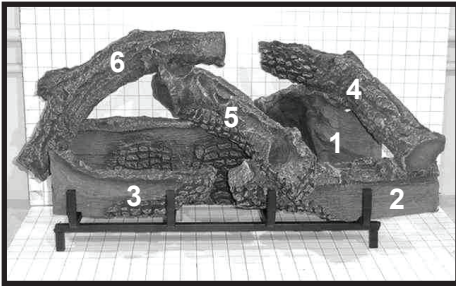


Log Set Assembly



IMPORTANT: THIS IS DATED INFORMATION. Parts must be ordered from a dealer or distributor. **Hearth and Home Technologies does not sell directly to consumers.** Provide model number and serial number when requesting service parts from your dealer or distributor.



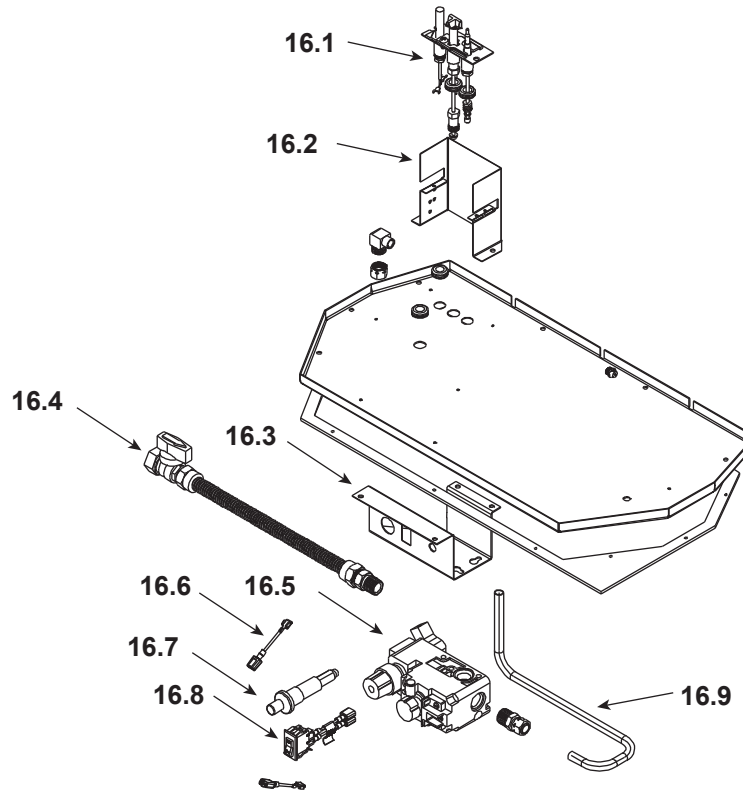
Stocked at Depot

ITEM	DESCRIPTION	COMMENTS	PART NUMBER	
	Log Set Assembly		LOGS-SL750	Y
1	Log 1	No longer available, Must order complete assembly	SRV530-714	
2	Log 2		SRV530-719	
3	Log 3		SRV530-718	
4	Log 4		SRV530-716	
5	Log 5		SRV530-717	
6	Log 6		SRV530-715	
7	Grate Assembly	No longer available	530-361A	
8	Base Refractory	No longer available	560-117	
9	Burner NG, LP		534-211A	Y
10	Hood		SRV560-175	
11	Glass Door Assembly		GLA-950TR	Y
12	Mesh Assembly		560-382A	Y
13	Top Louver	No longer available	560-256A	
14	Bottom Louver	No longer available	560-257A	
15	Junction Box	Standing Pilot	100-250A	Y
		No longer available	100-254A	

No one builds a better fire

Beginning Manufacturing Date: Feb 2001
 (SP) Ending Manufacturing Date: May 2004
 (DSI) Ending Manufacturing Date: Mar 2002

#16 Standing Pilot Valve Assembly



IMPORTANT: THIS IS DATED INFORMATION. Parts must be ordered from a dealer or distributor. **Hearth and Home Technologies does not sell directly to consumers.** Provide model number and serial number when requesting service parts from your dealer or distributor.



**Stocked
at Depot**

ITEM	DESCRIPTION	COMMENTS	PART NUMBER	
16.1	Pilot Assembly NG		4021-736	Y
	Pilot Assembly LP		4021-737	Y
	Pilot Tube		SRV485-301	Y
	Thermocouple		446-511	Y
	Thermopile		2103-512	Y
16.2	Pilot Bracket	No longer available	530-164	
16.3	Valve Bracket	No longer available	550-169	
16.4	Flex Ball Valve Assembly		SRV302-320	Y
16.5	Valve NG		060-522	Y
	Valve LP		060-523	Y
16.6	Wire Assembly	No longer available	049-552A	
16.7	Piezo Ignitor		SRV14D0503	Y
16.8	On/Off, Switch		SRV32D0232	Y
16.9	Flexible Gas Connector	Pre 5-19-2003	567-301A	Y
		Post 5-19-2003	530-302A	Y

Additional service parts on following page



Service Parts

SL-950TR-C & SL-950TR-DSI-C

No one builds a better fire

Beginning Manufacturing Date: Feb 2001
(SP) Ending Manufacturing Date: May 2004
(DSI) Ending Manufacturing Date: Mar 2002

IMPORTANT: THIS IS DATED INFORMATION. Parts must be ordered from a dealer or distributor. **Hearth and Home Technologies does not sell directly to consumers.** Provide model number and serial number when requesting service parts from your dealer or distributor.



Stocked at Depot

ITEM	DESCRIPTION	COMMENTS	PART NUMBER	
	Fan Kit		GFK-160A	
	Mineral Wool		050-721	
	Orifice NG (#36C)		582-836	Y
	Orifice LP (#51C)		SRV582-851	Y
	Remote		SMART-STAT-HHT	
	Touch Up Paint		TUP-GBK-12	

Standing Pilot Conversion Kits

	Conversion Kit NG	No longer available	NGK-950TR-C	
	Conversion Kit LP	No longer available	LPK-950TR-C	
	Pilot Orifice NG		SRV446-505	Y
	Pilot Orifice LP		SRV446-517	Y
	Regulator NG		SRV060-518	Y
	Regulator LP		060-519	Y

DSI Component Parts

	Ignitor		501-591	Y
	Module	No longer available	501-592	
	Valve NG		476-500	Y

For LP valve flip the brass fitting on the 476-500