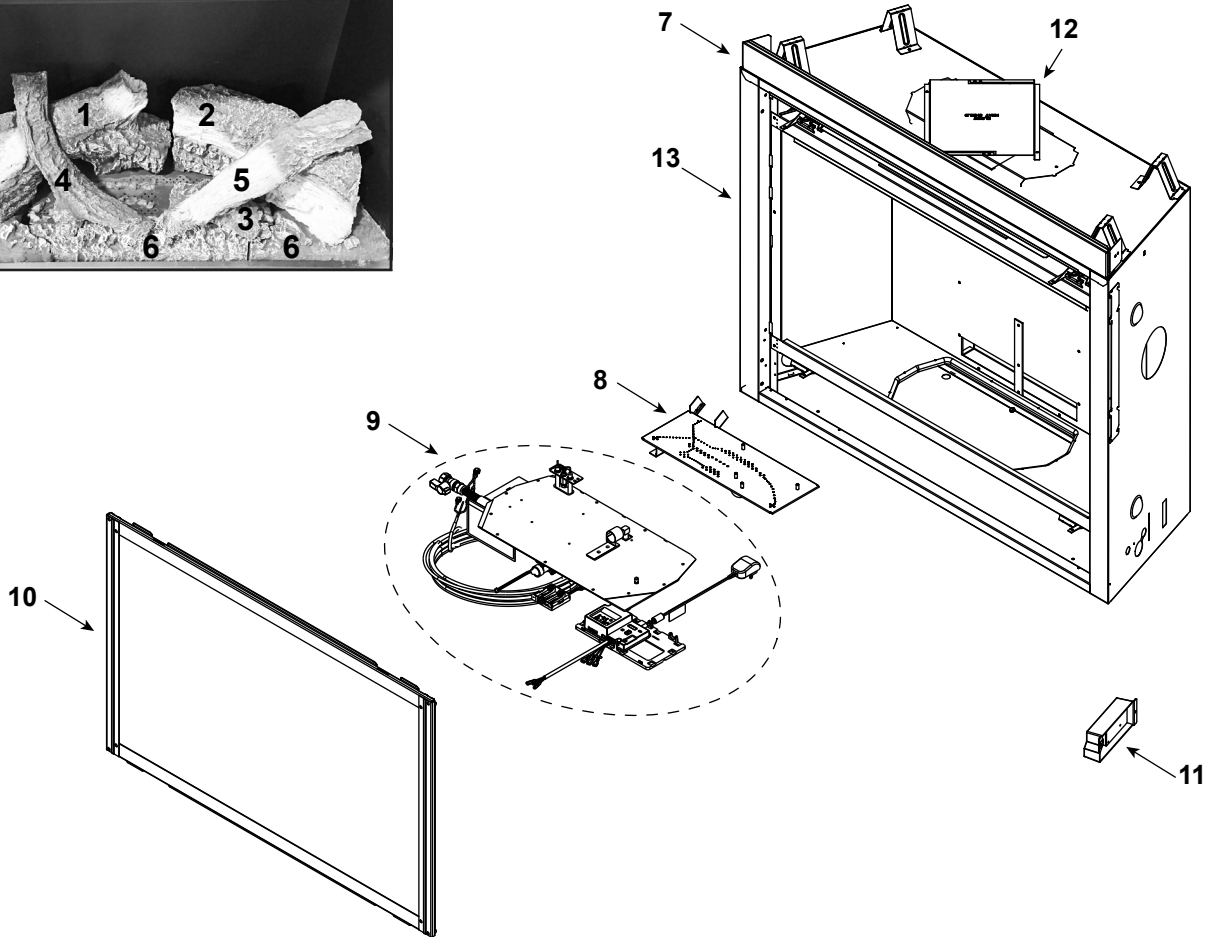
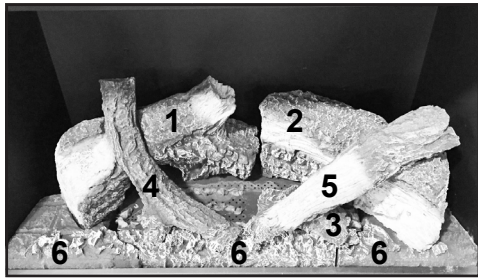


Log Set Assembly



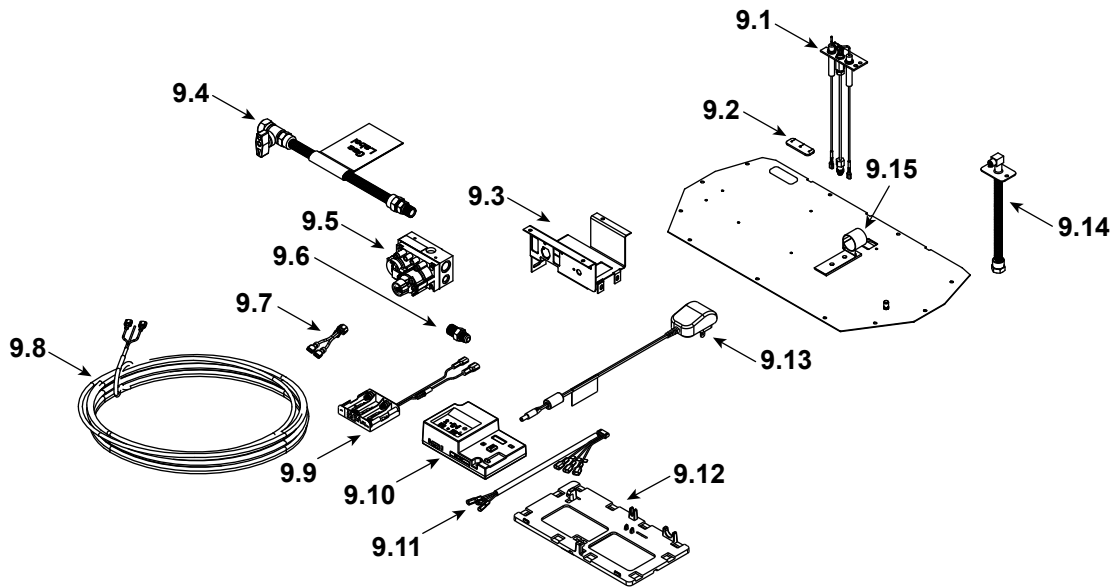
IMPORTANT: THIS IS DATED INFORMATION. Parts must be ordered from a dealer or distributor. **Hearth and Home Technologies does not sell directly to consumers.** Provide model number and serial number when requesting service parts from your dealer or distributor.



Stocked at Depot

ITEM	DESCRIPTION	COMMENTS	PART NUMBER	
	Log Set Assembly	Hearth Sold Separately	LOGS-SL9	Y
1	Rear Left Log		SRV2393-707	
2	Rear Right Log		SRV2393-708	
3	Burner Log		SRV2393-709	
4	Top Left Log		SRV2393-711	
5	Top Right Log		SRV2392-710	
6	Hearth Assembly (Left, Middle, & Right)		SRVHEARTH-SL9	
7	Drywall Support		2393-119	
8	Burner Assembly		2393-007	Y
9	Valve Assembly		See following page	
10	Glass Door Assembly		GLA-950TR	Y
11	Junction Box		4021-013	Y
12	Elbow Heat Shield		385-290	
13	Overlay Kit		SRV950-FACE	

#9 Valve Assembly



IMPORTANT: THIS IS DATED INFORMATION. Parts must be ordered from a dealer or distributor. **Hearth and Home Technologies does not sell directly to consumers.** Provide model number and serial number when requesting service parts from your dealer or distributor.



Stocked at Depot

ITEM	DESCRIPTION	COMMENTS	PART NUMBER	
9.1	Pilot Assembly NG		2106-169	Y
	Pilot Assembly Propane		2106-170	Y
	Pilot Tube		SRV485-301	Y
9.2	3-Hole Grommet		SRV2118-420	
9.3	Valve Bracket		2118-104	
9.4	Flex Ball Valve Assembly		SRV302-320	Y
9.5	Valve NG		SRV2166-302	Y
	Valve Propane		2166-303	Y
9.6	Male Connector	Pkg of 5	303-315/5	
9.7	Jumper Wire		SRV2187-198	Y
9.8	Thermostat Wire Assembly		SRV2118-170	Y
9.9	Battery Pack**		SRV2326-134	Y
9.10	Module, IFT Control		SRV2326-130	Y
9.11	Wire Harness, IFT 6 Pin		SRV2326-132	Y
9.12	Component Tray		2279-185	
9.13	6 Volt Transformer		SRV2326-131	Y
9.14	Bulkhead w/Flex Tube		SRV7000-156	Y
9.15	Shutter Bracket Assembly		2118-121	
	Orifice NG (#38)		582-838	Y
	Orifice Propane (#52)		SRV582-852	Y

**Fuse for battery pack can be sourced locally, not a warranty item. Specs are 250v, 3A fuse, 3/4" long

Additional service part numbers appear on following page.

