

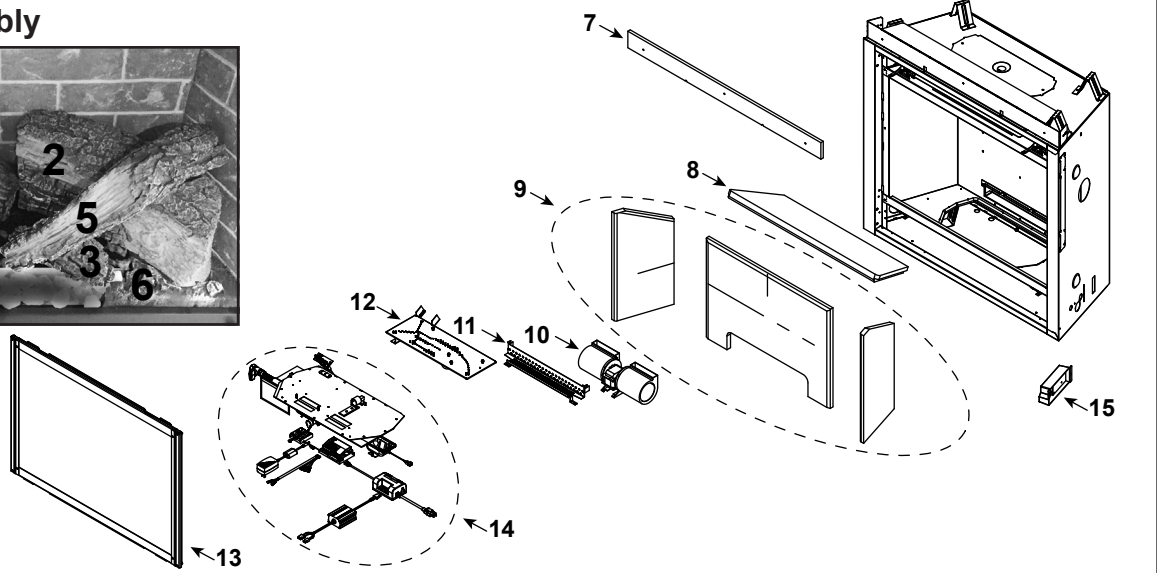
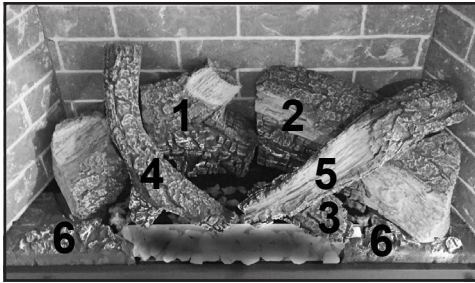
No one builds a better fire

36" Gas Fireplace - DV

Beginning Manufacturing Date: May 2016

Ending Manufacturing Date: Oct 2017

Log Set Assembly



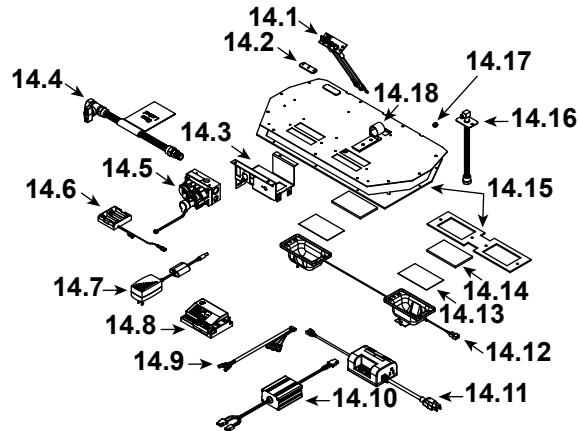
IMPORTANT: THIS IS DATED INFORMATION. Parts must be ordered from a dealer or distributor. **Hearth and Home Technologies does not sell directly to consumers.** Provide model number and serial number when requesting service parts from your dealer or distributor.



Stocked at Depot

ITEM	DESCRIPTION	COMMENTS	PART NUMBER	Stocked at Depot
	Log Set Assembly	Hearth Sold Separately	LOGS-SL7X-HD	Y
1	Rear Left Log	No longer available, must order complete assembly	SRV2372-707	
2	Rear Right Log		SRV2372-708	
3	Burner Log		SRV2372-709	
4	Top Left Log		SRV2372-711	
5	Top Right Log		SRV2372-710	
6	Left and Right Hearth		SRVHEARTH-SL7X	
7	Non-combustible Board		2117-401	
8	Top Refractory		SRV2372-703	
9	Refractory Assembly		SRV2372-077	
10	Blower		GFK-160A	
11	Ember Bed		2372-108	
12	Burner Assembly		2372-007	Y
13	Glass Door Assembly		GLA-750TRS	Y
14	Valve Assembly		See following Page	
15	Junction Box		SRV4021-013	Y
	Exhaust Restrictor		530-299	
	Firescreen	Black	FS-7-BK	
	Gasket Assembly : Contains Burner neck, shutter bracket, vent, seal cap, valve plate, ember LED, and air passage gaskets		2118-080	
	Log Touch Up Paint		2372-099	
	Mineral Wool		050-721	
	RC300-HNG Remote		2166-330	
	TECO SIL		2372-790	
	Touch Up Paint		TUP-GBK-12	

#14 Valve Assembly



IMPORTANT: THIS IS DATED INFORMATION. Parts must be ordered from a dealer or distributor. **Hearth and Home Technologies does not sell directly to consumers.** Provide model number and serial number when requesting service parts from your dealer or distributor.



Stocked at Depot

ITEM	DESCRIPTION	COMMENTS	PART NUMBER	
14.1	Pilot Assembly NG		2106-169	Y
	Pilot Assembly LP		2106-170	Y
	Pilot Tube		SRV485-301	Y
14.2	3-Hole Grommet		SRV2118-420	Y
14.3	Valve Bracket		2118-104	
14.4	Flex Ball Valve Assembly		SRV302-320	Y
14.5	Valve NG		SRV2166-302	Y
	Valve LP		2166-303	Y
14.6	Battery Pack **		SRV2166-323	Y
14.7	Transformer, 6V Wall		SRV2326-131	Y
14.8	Module		2166-347	Y
14.9	Wire Harness		2166-304	Y
14.10	LED Controller		2166-336	Y
14.11	RC300 AUX		SRV2166-335	Y
14.12	2-Gang LED Assembly		2166-316	Y
14.13	Kapton Lens	Qty 2 req	2166-184	Y
14.14	LED Glass	Qty 2 req	2166-163	Y
14.15	Ember LED Gasket and Valve Plate Gasket	Must order Gasket Assembly 2118-080		
14.16	Bulkhead w/Flex Tube		SRV7000-156	Y
14.17	Orifice NG (#37)		582-837	Y
	Orifice LP (#52)		SRV582-852	Y
14.18	Air Shutter		2118-121	Y
	Conversion Kit NG		NGK-SL7X	
	Conversion Kit LP		LPK-SL7X	
	Pilot Orifice NG		SRV593-528	Y
	Pilot Orifice LP		SRV593-527	Y
	Regulator NG		NGK-DXV-50	Y
	Regulator LP		SRVLPK-DXV-50	Y

**Fuse for battery pack can be sourced locally, not a warranty item. Specs are 250v, 1A fuse, 3/4" long